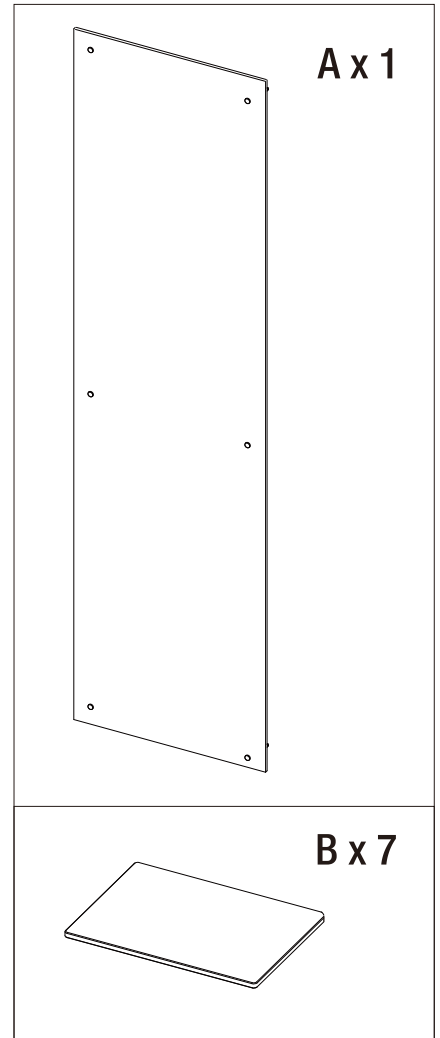
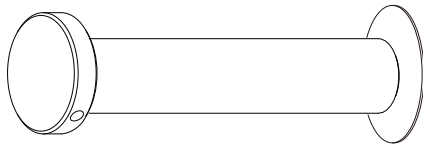


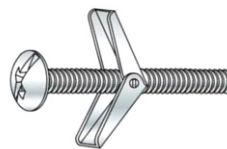
AP.X.20



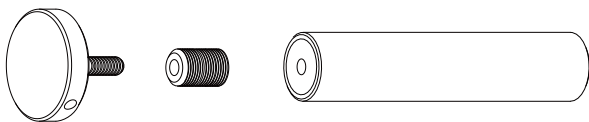
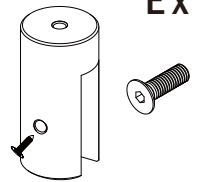
C x 6 **Standoff (#13.15.20.85)**



D x 6 **Butterfly Anchors + Screws**



E x 14



Standoff Cap
13.15.20.85-CAP

Upper Inside Threaded Barrel
13.15.20.85-BAR

Standoff Cylinder
13.15.20.85-CYL



Standoff Screw
13.15.20.85-SCR



Lower Inside Threaded Barrel
13.15.20.85-BAR



Standoff Washer
13.15.20.85-WSH

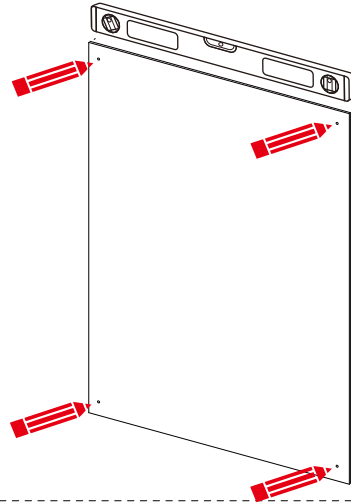


Toggle Bolt

x 1

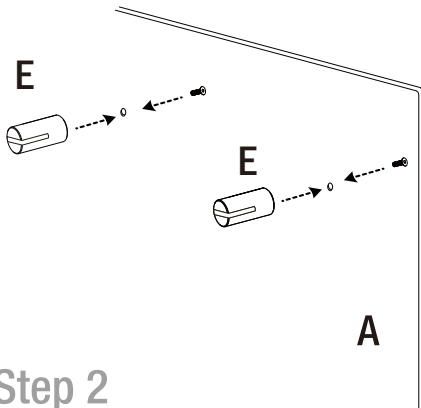


Place the back panel on the wall and mark standoff holes.



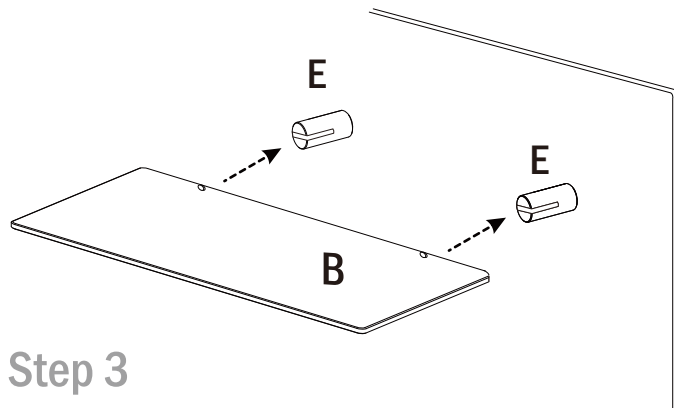
Step 1

Secure the shelf standoffs with the provided screws from the back



Step 2

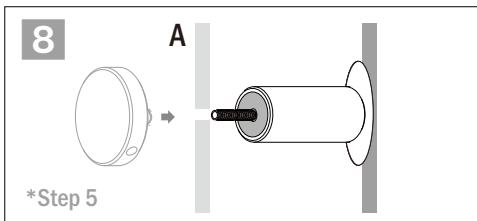
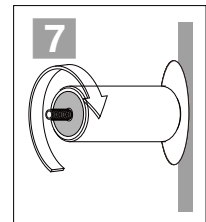
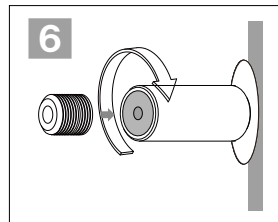
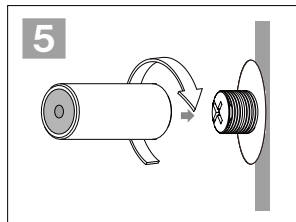
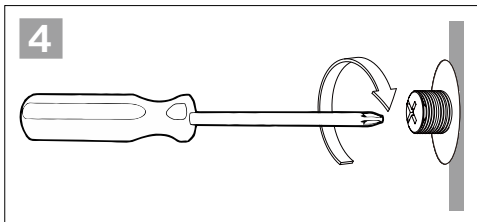
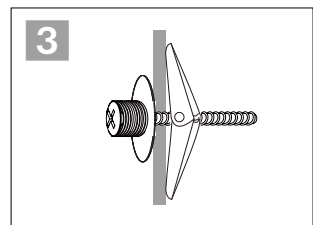
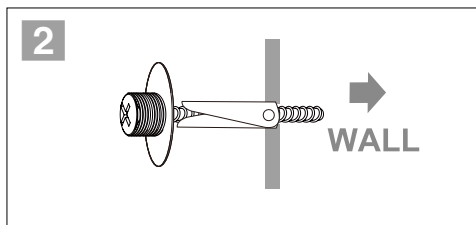
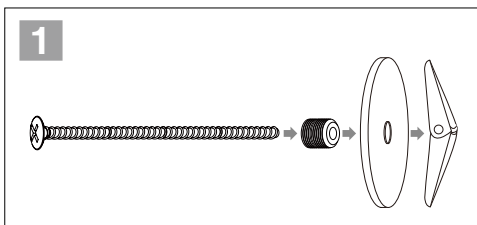
Place your shelves into the shelf standoffs and secure by tightening the set screws with provided hex wrench.



Step 3

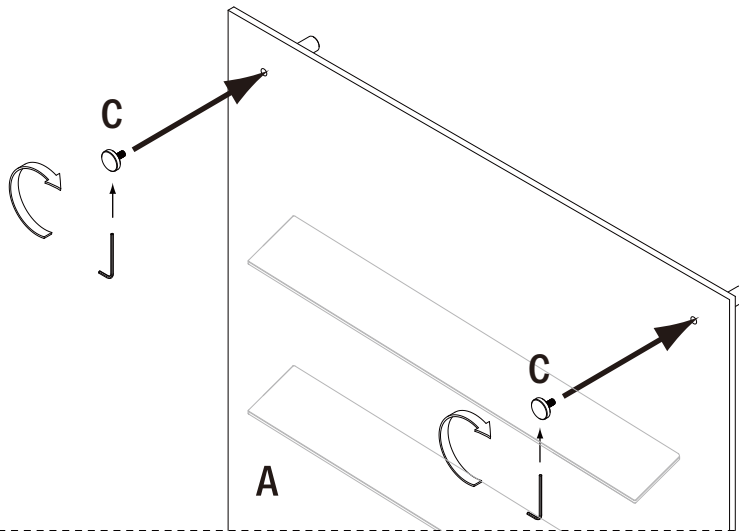
Install the standoffs on the marked spots on the wall

Step 4

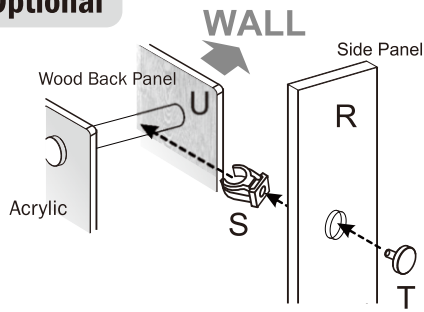


*Step 5

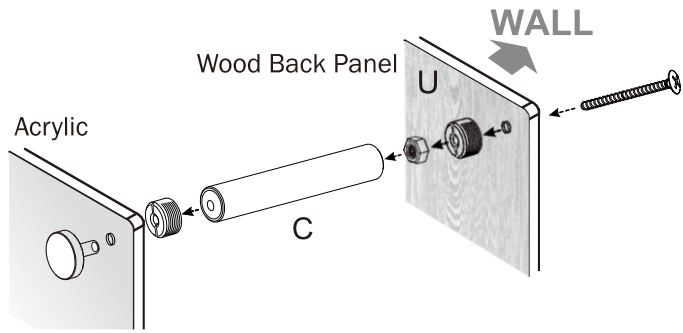
Place the complete panel and shelves on to the standoffs and secure them with the caps



Optional



Side Panel 3/8"	13.15.20.SIDE	13.15.20.85-CAP



Wooden Back Panel		1/2"-20 x 2-1/2" Round Combo w/ nut-Zinc

Optional

