

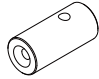

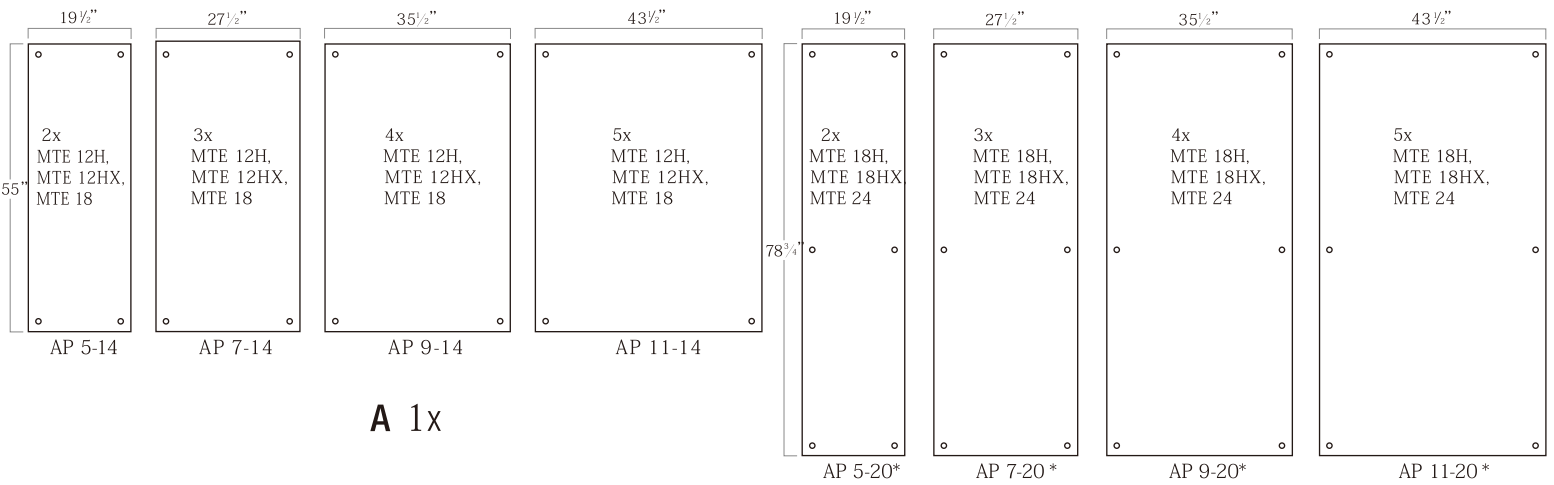
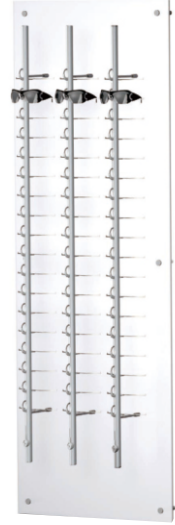


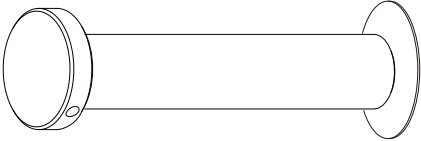
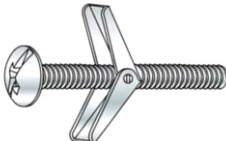
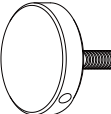
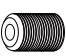






AP Display Panels for Metallic Rods

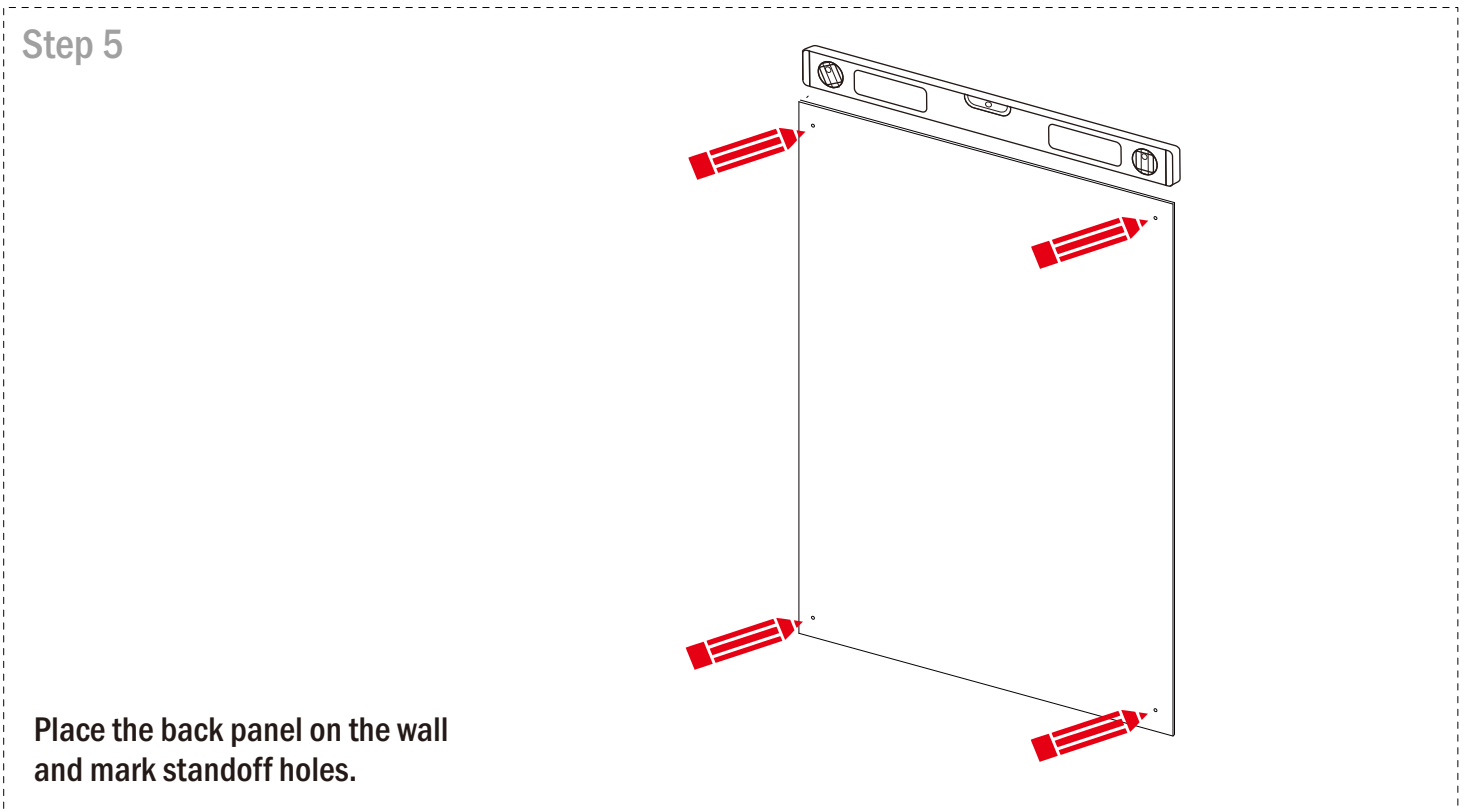
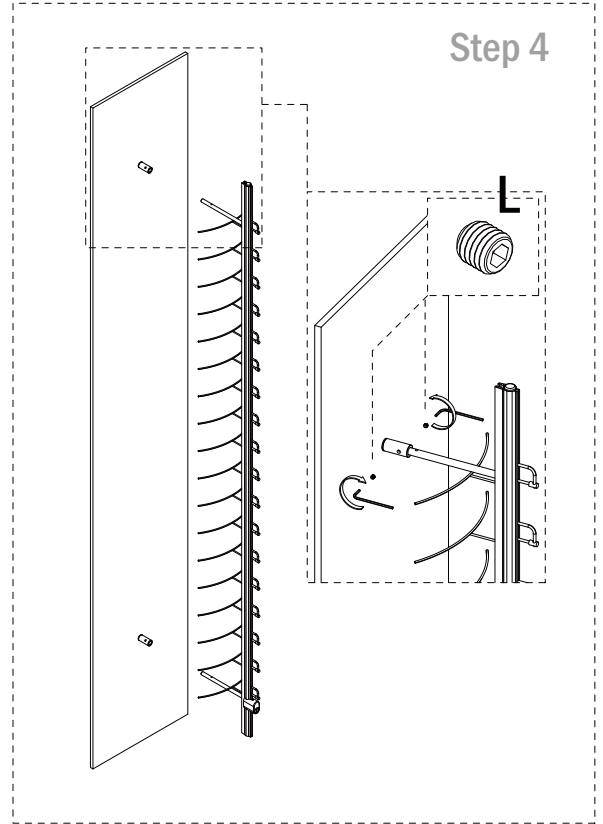
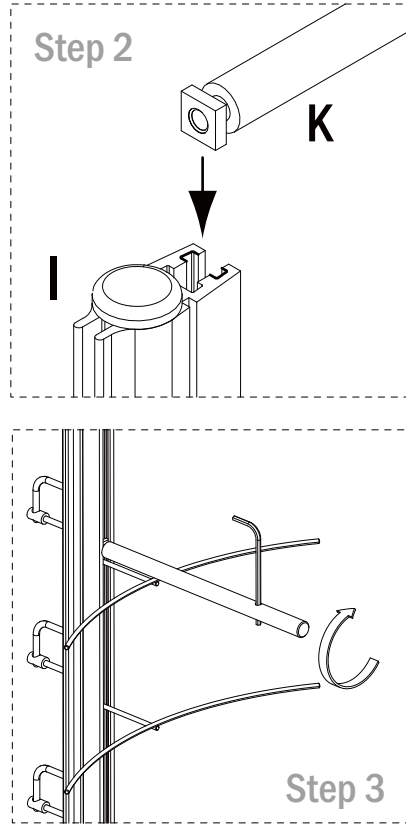
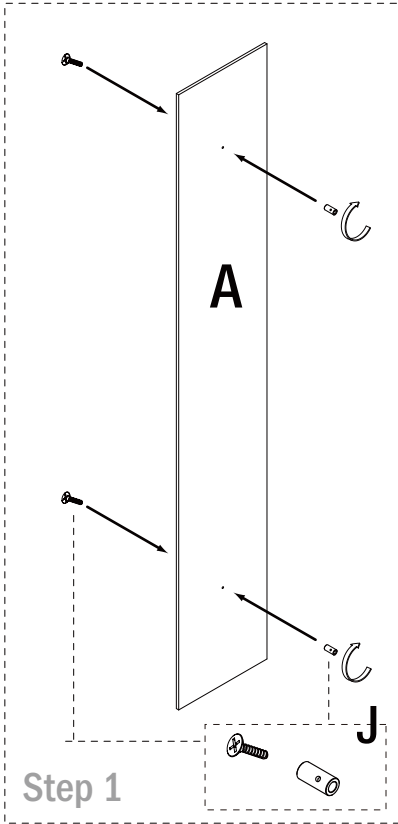
AP 5-14 AP 7-14 AP 9-14 AP 11-14
AP 5-20 AP 7-20 AP 9-20 AP 11-20

	I	J	K	L
				
		27.18.10.00		
AP 5-14	2 x 12H/18	4 x	4 x	8 x
AP 7-14	3 x 12H/18	6 x	6 x	12 x
AP 9-14	4 x 12H/18	8 x	8 x	16 x
AP 11-14	5 x 12H/18	10 x	10 x	20 x
AP 5-20	2 x 18H/24	4 x	4 x	8 x
AP 7-20	3 x 18H/24	6 x	6 x	12 x
AP 9-20	4 x 18H/24	8 x	8 x	16 x
AP 11-20	5 x 18H/24	10 x	10 x	20 x

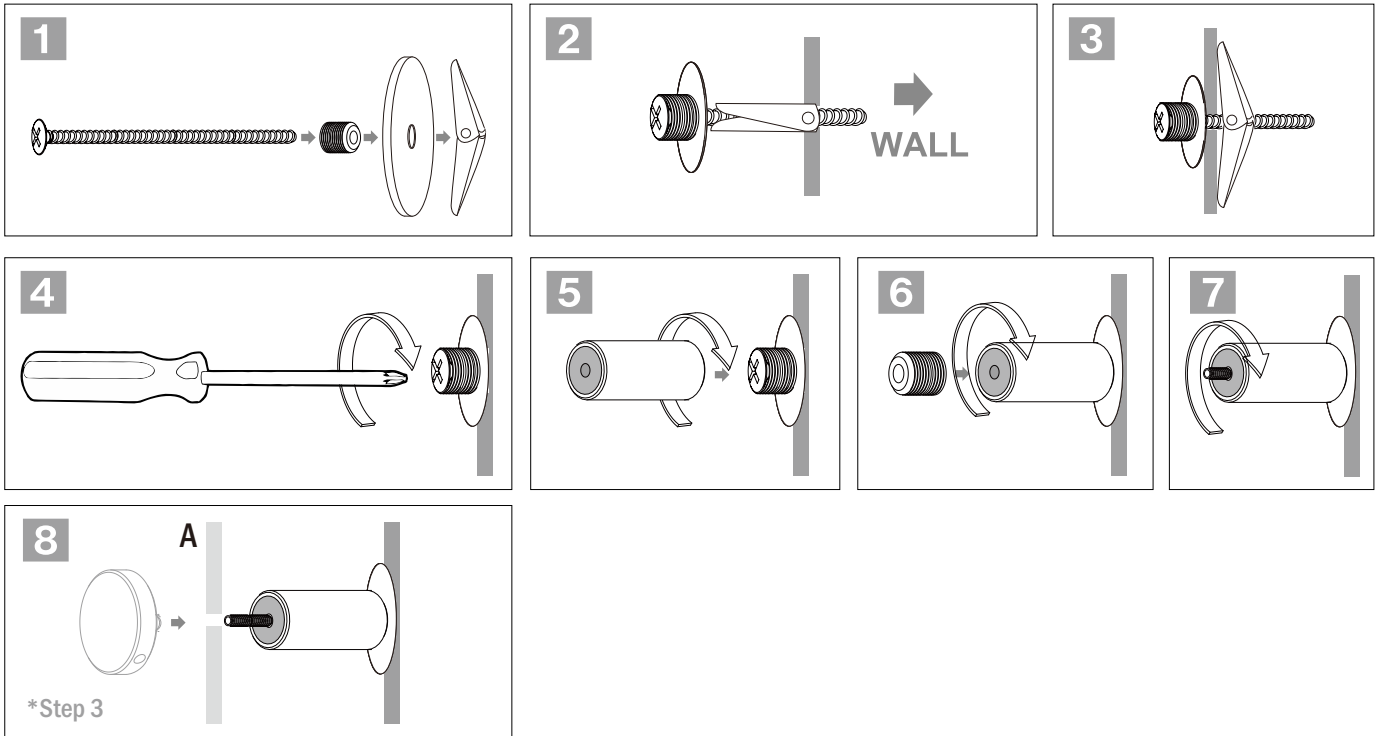


A 1x

B Standoff (#13.15.20.85)		C Butterfly Anchors + Screws	
 4 to 6 (Based on your order)		 equal number to standoffs	
 Standoff Cap 13.15.20.85-CAP	 Upper Inside Threaded Barrel 13.15.20.85-BAR	 Standoff Cylinder 13.15.20.85-CYL	 Standoff Screw 13.15.20.85-SCR
 Lower Inside Threaded Barrel 13.15.20.85-BAR	 Standoff Washer 13.15.20.85-WSH	 Toggle Bolt	
AP 5-14, AP 7-14, AP 9-14, AP 11-14		4x	
AP 5-20, AP 7-20, AP 9-20, AP 11-20		6x	
		1x	
		1x	

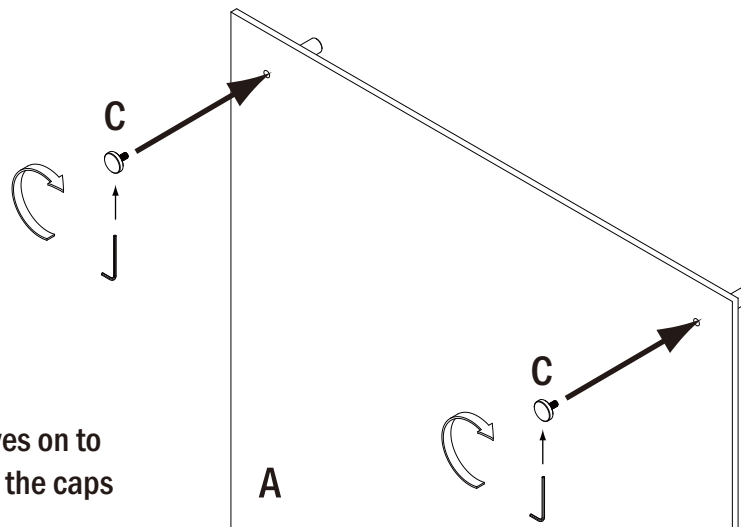


Step 6 Install the standoffs on the marked spots on the wall

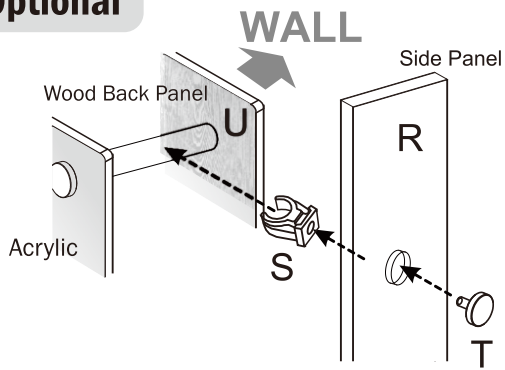





Step 7

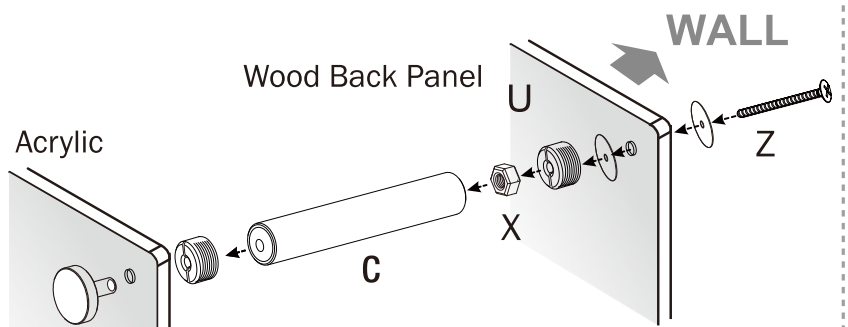
Place the complete panel and shelves on to the standoffs and secure them with the caps






Optional

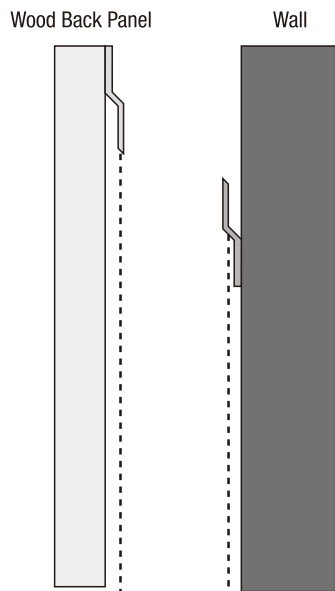


		
R x 1	S x 4	T x 4
Side Panel 3/8"	13.15.20.SIDE	13.15.20.85-CAP



		
U x 1		20 x 2-1/2 Round Combo w/nut-Zinc
Wooden Back Panel	APP.5.14 APP.9.14 APP.7.14 APP.11.14	APP.5.14 APP.9.14 APP.7.14 APP.11.14
	x4	x4
	APP.5.20 APP.9.20 APP.7.20 APP.11.20	APP.5.20 APP.9.20 APP.7.20 APP.11.20
	x6	x6

Optional



This bracket is pre-attached to wood back panel

Attach this bracket to wall (use toggle bolt to attach bracket to wall)

