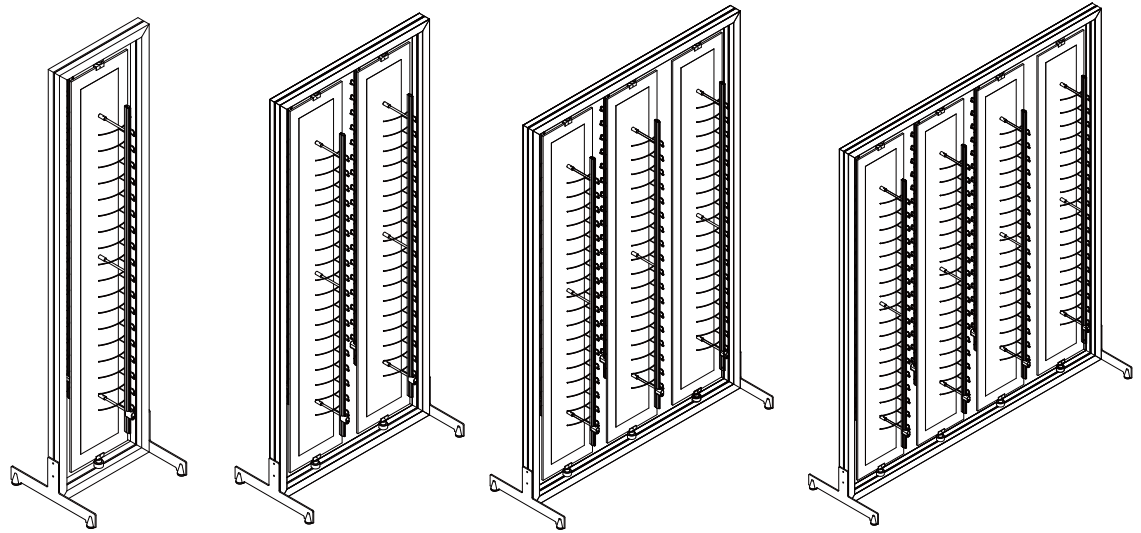


# ASIS 1 ASIS 2 ASIS 3 ASIS 4

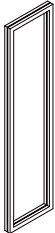




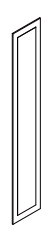





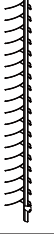

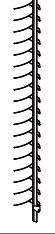

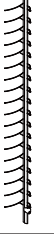
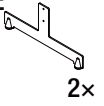

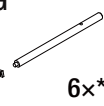
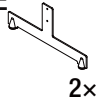
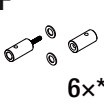
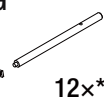
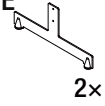
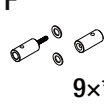
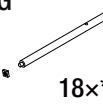
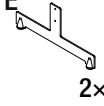
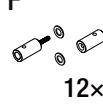
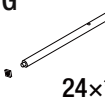
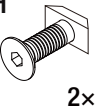
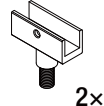
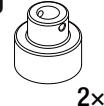
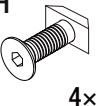
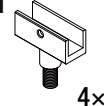
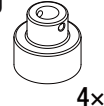
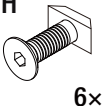
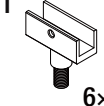
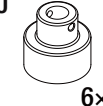
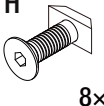
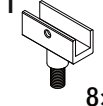
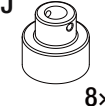
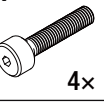
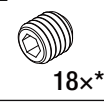
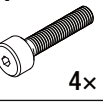
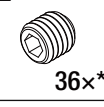
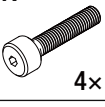
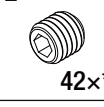
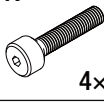
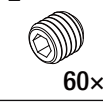
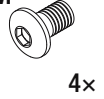
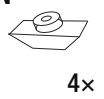
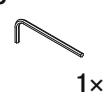
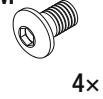
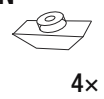
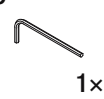
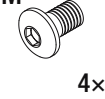
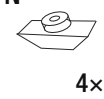
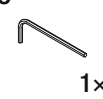
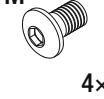
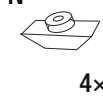
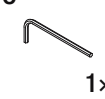


**ASIS 1**

**ASIS 2**

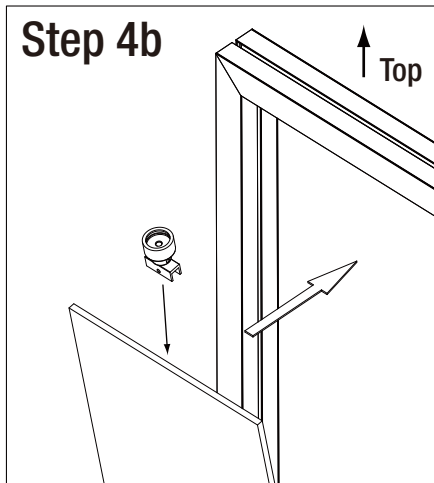
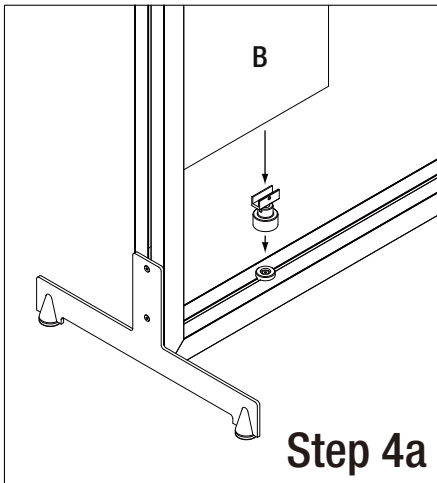
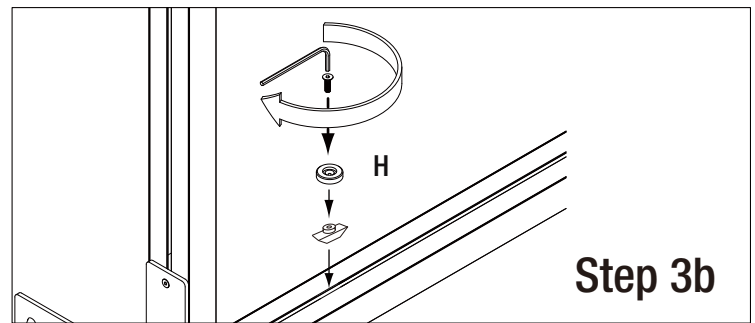
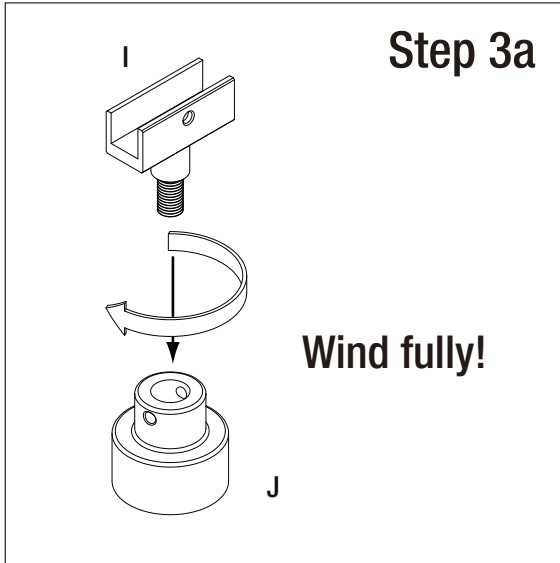
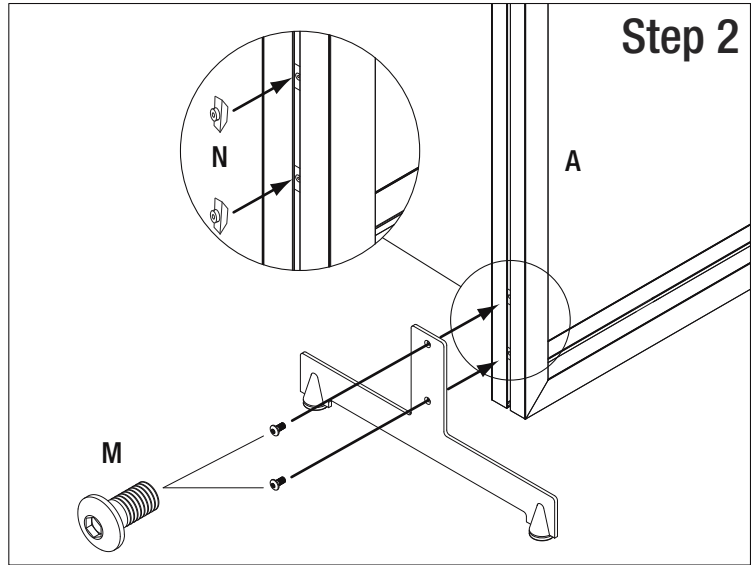
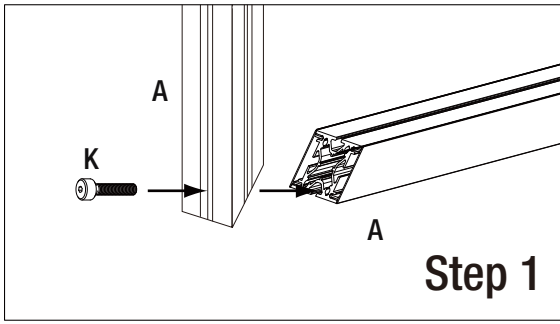
**ASIS 3**

**ASIS 4**

ASIS 1			ASIS 2			ASIS 3			ASIS 4		
A  1x	B  1x*		A  1x	B  2x*		A  1x	B  2x*		A  1x	B  3x*	
C  Optional Mirror	D  2x*		C  Optional Mirror	D  4x*		C  Optional Mirror	D  4x*		C  Optional Mirror	D  6x*	
E  2x	F  3x*	G  6x*	E  2x	F  6x*	G  12x*	E  2x	F  9x*	G  18x*	E  2x	F  12x*	G  24x*
H  2x	I  2x	J  2x	H  4x	I  4x	J  4x	H  6x	I  6x	J  6x	H  8x	I  8x	J  8x
K  4x	L  18x*		K  4x	L  36x*		K  4x	L  42x*		K  4x	L  60x*	
M  4x	N  4x	O  1x	M  4x	N  4x	O  1x	M  4x	N  4x	O  1x	M  4x	N  4x	O  1x

\*quantity may differ if other combination of modules is chosen than on picture





**!** Secure the panel from falling until fully installed

