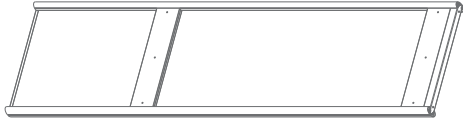


User manual

Product handleiding

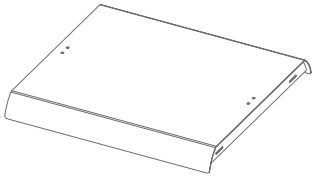




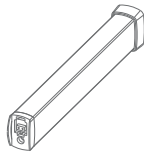
Saturn chassis



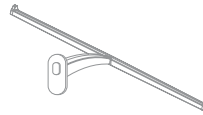
50321 = 15 pos
50331 = 12 XL pos



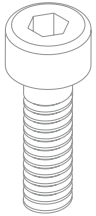
74000 (3k)
22438 (4k)
74005 (5k)



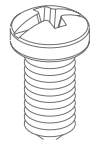
11103



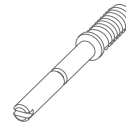
75005



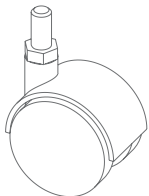
73922 (4x)
M5x30mm



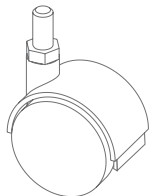
95032 (2x)
M5x12mm



72100
M5



90205 (2x)
42mm

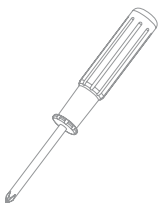


90206 (2x)
42mm + brake

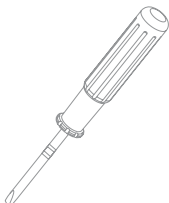


92041 (1x)
2mm

REQUIRED TOOLS

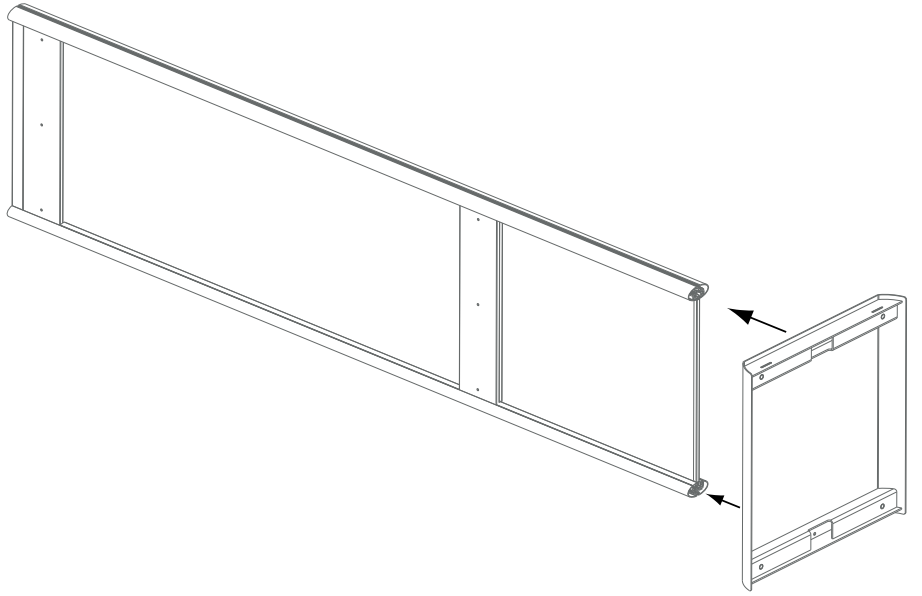


PH2

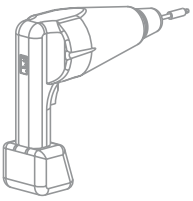


C8

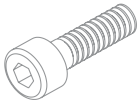
1



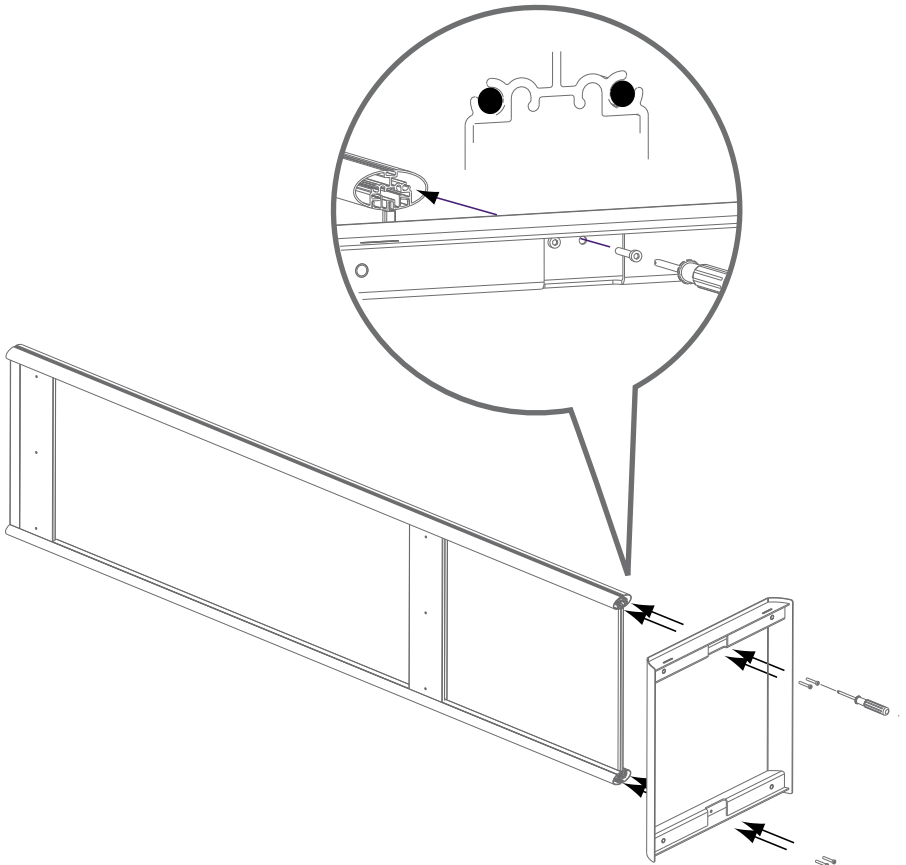
2



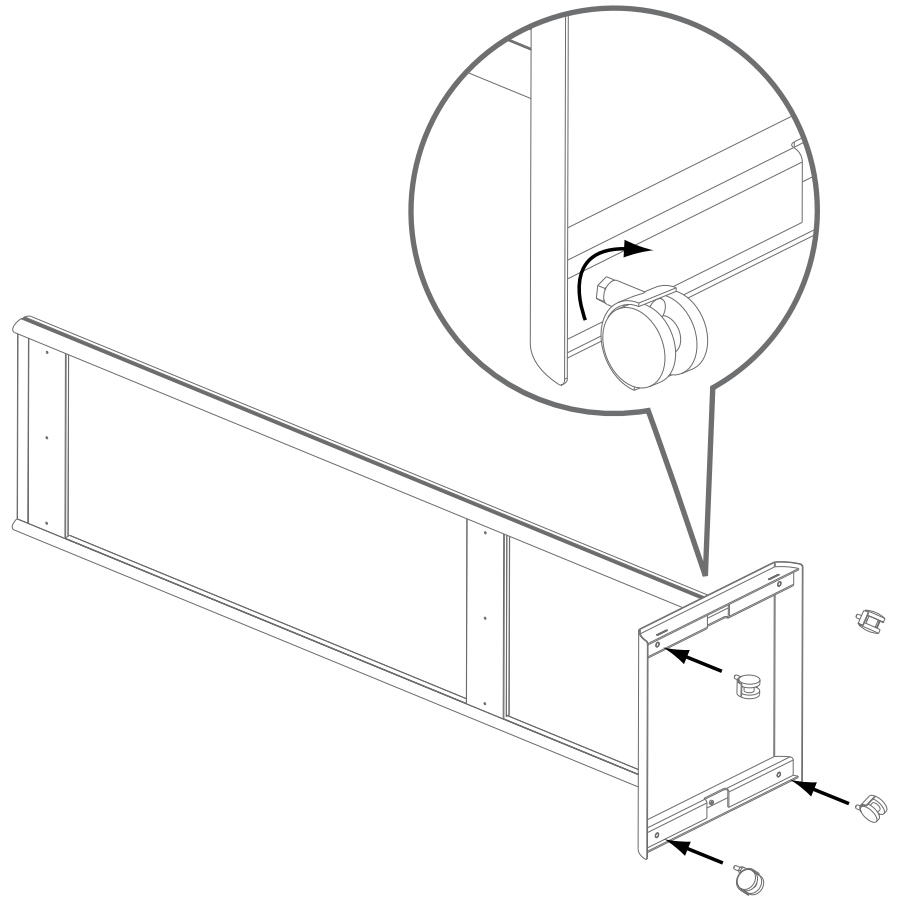
PH2



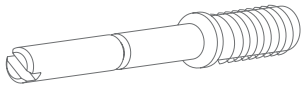
73922 (4x)
M5x30



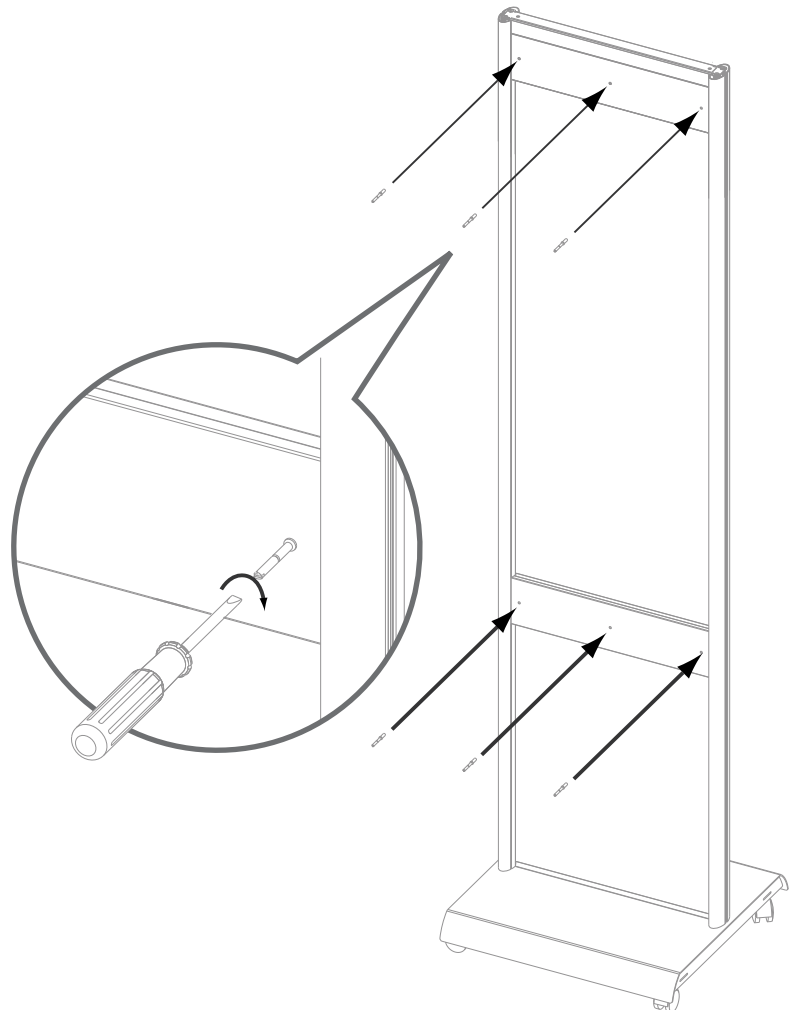
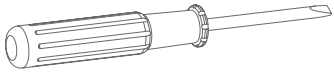
3



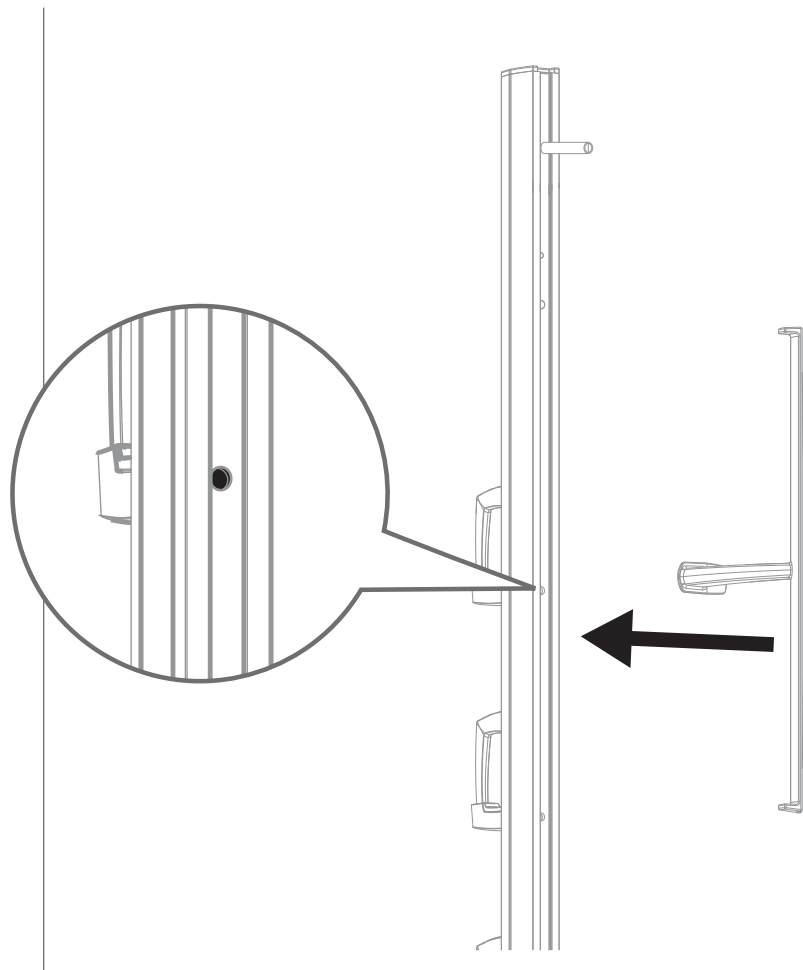
4



72100
M5

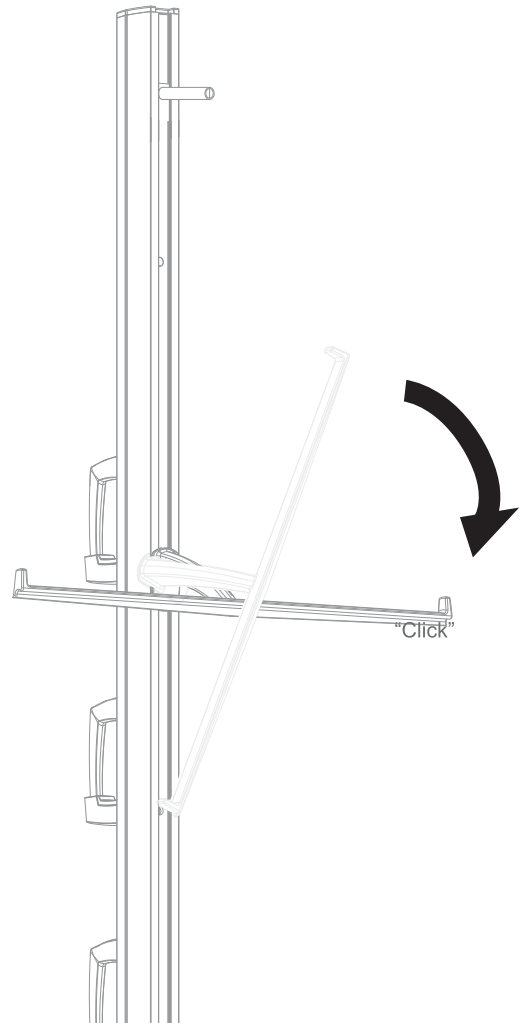


5



Fine tune position until you feel it sink into the cavity

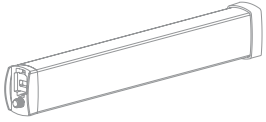
6



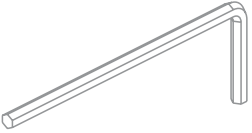
Turn the bracket 90 degrees clockwise

e

7



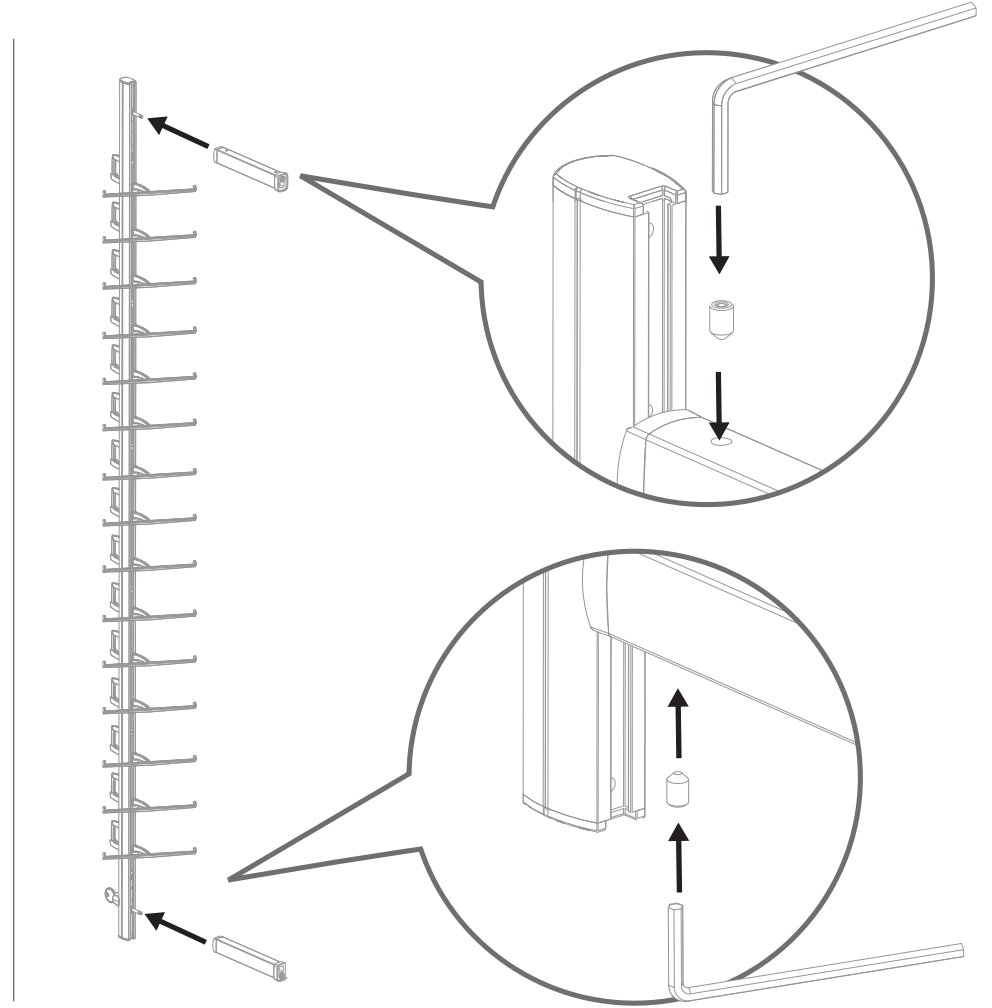
11103



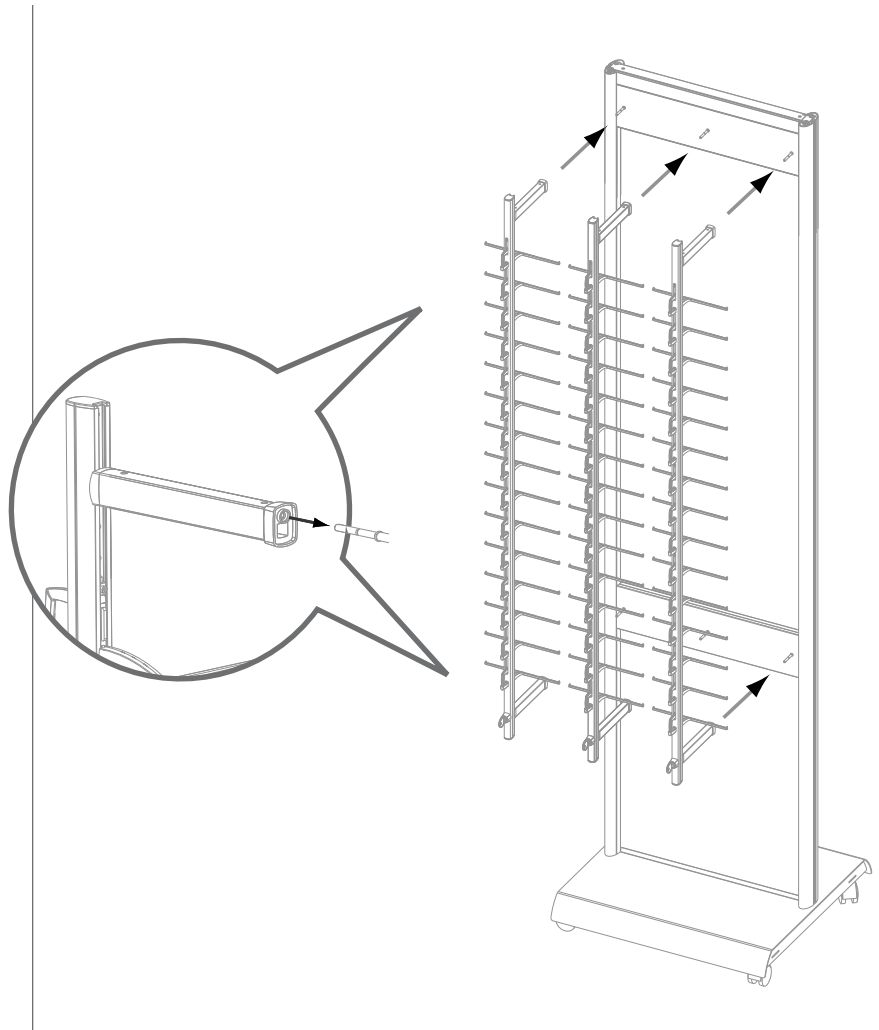
2mm



95089 (2x)
M4 x 4mm



8



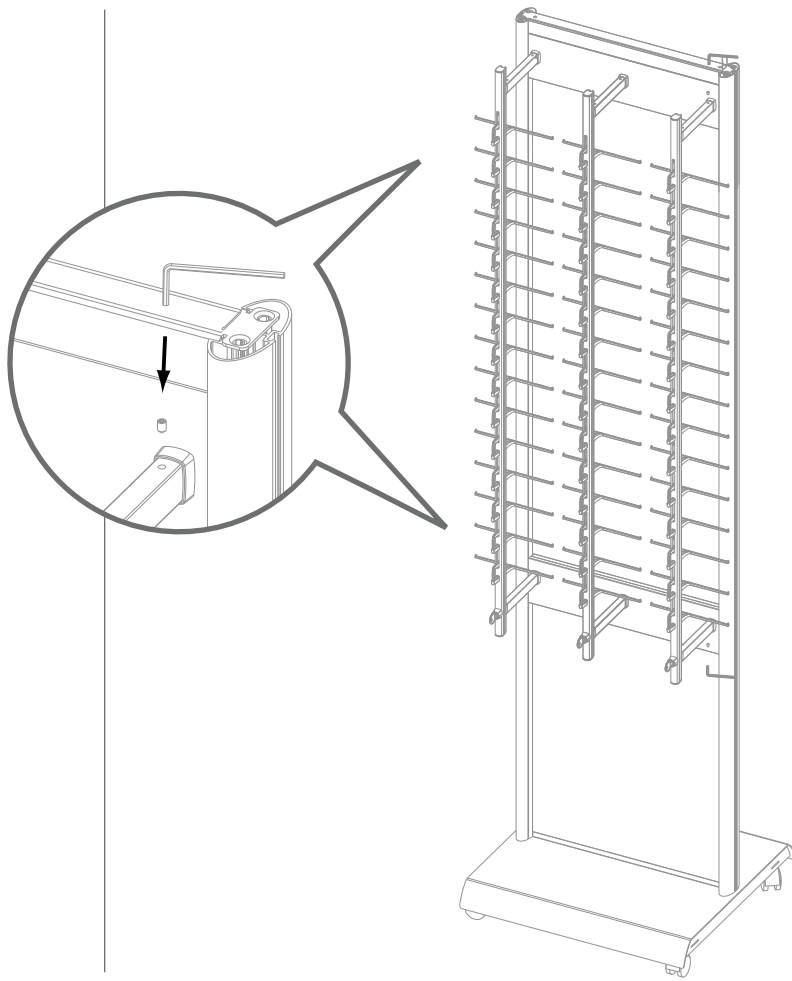
9



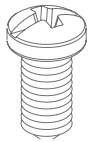
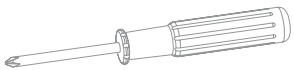
2mm



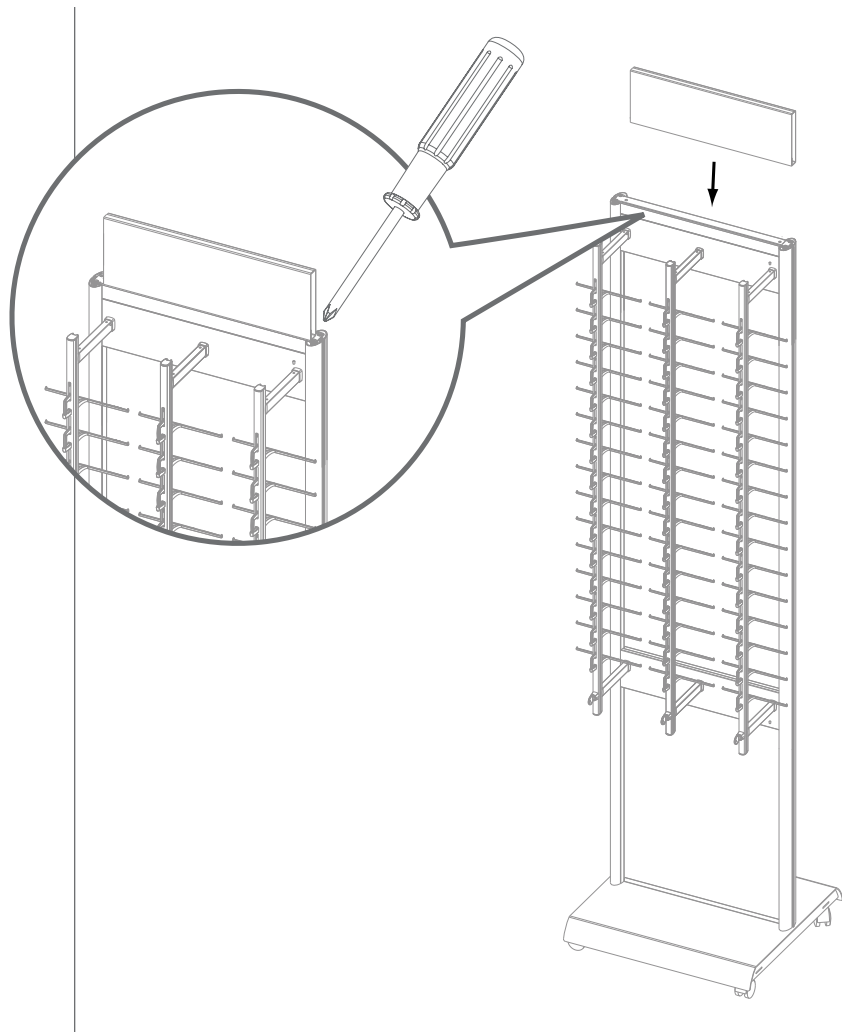
95090 (2x)
M4 x 8mm



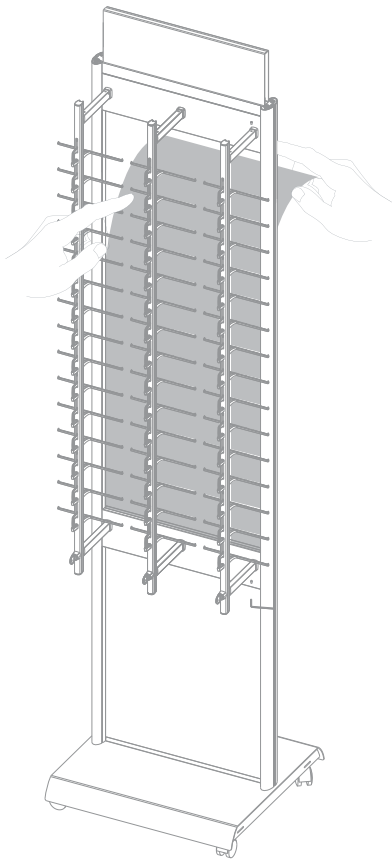
10 OPTIONAL



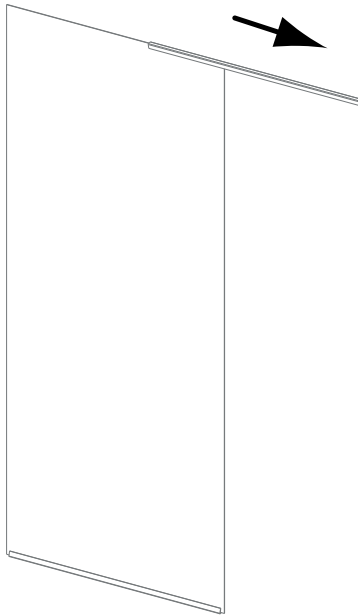
95032 (2x)
M5x12



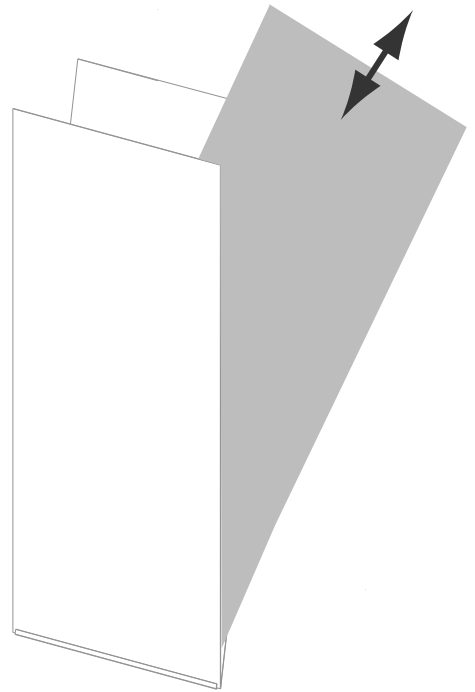
1



2



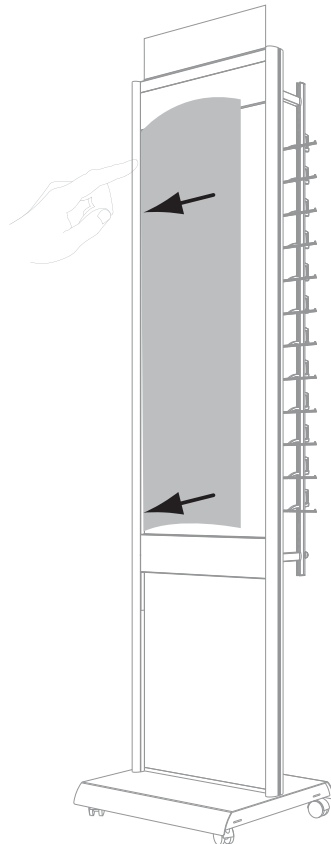
3



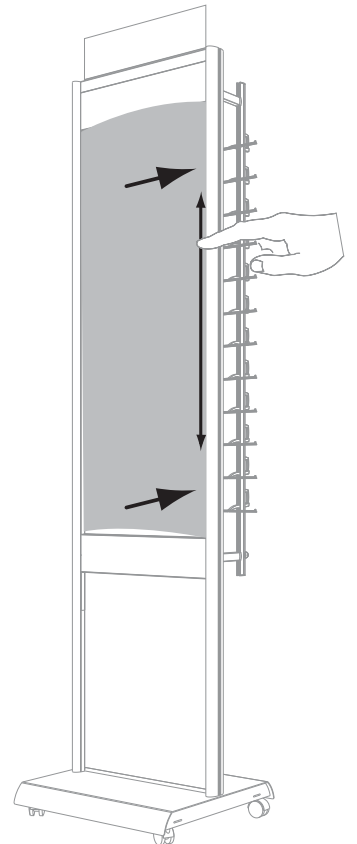
4



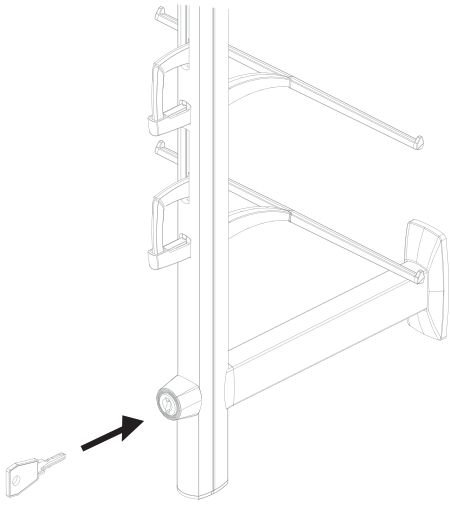
5



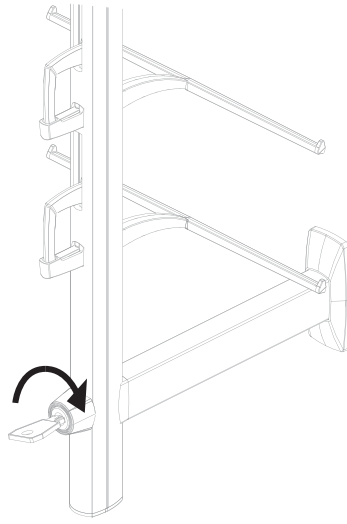
6



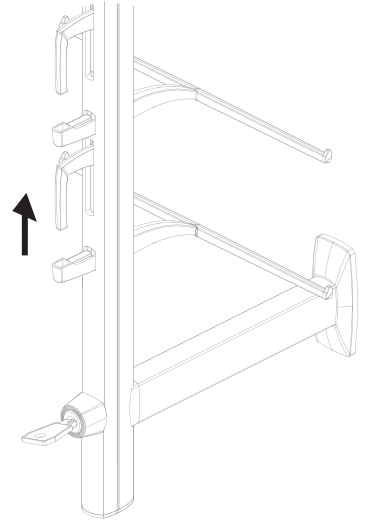
1



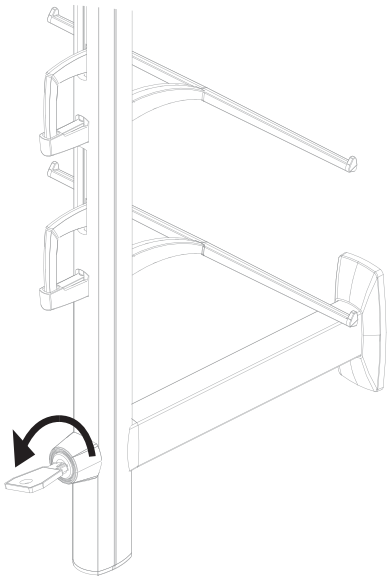
2



3



1



2

