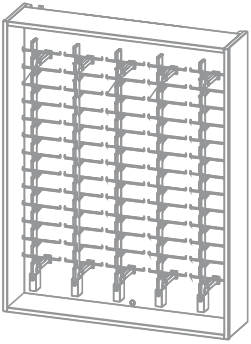
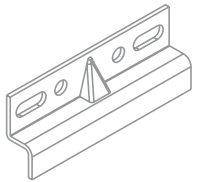


User manual

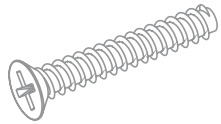




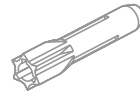
Carré with 5 Alumina rods
art. Carré CAR.13x5
1021 x 1304 mm
1x



Mounting bracket
art. 24057
4x



Screw
art. 95003
5,0 x 45mm
8x

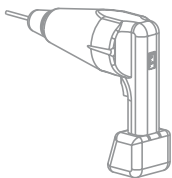


Wall plug
art. 95002
S8 x 40
8x

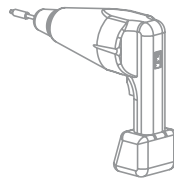
REQUIRED TOOLS



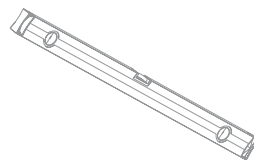
Hexagon wrench #4
art. 92047



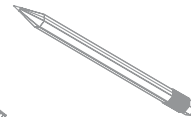
Drill Ø8mm



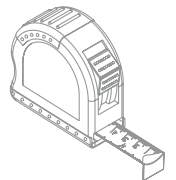
Screwdriver P2



Level

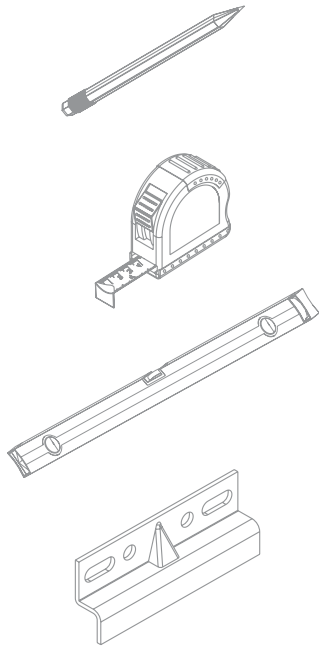


Pencil

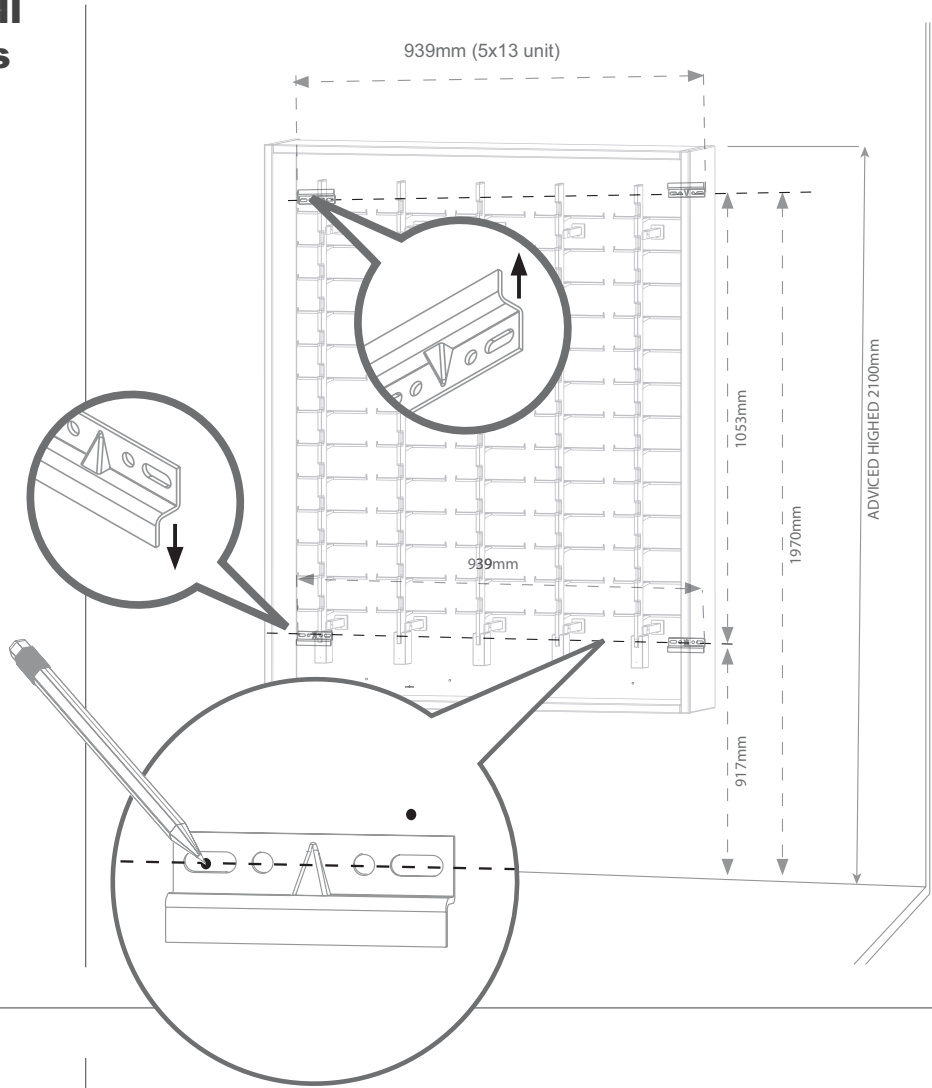


Tape measure

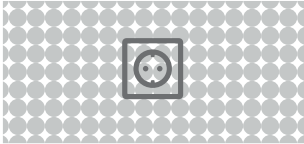
1 Carré unit on wall Drill instructions



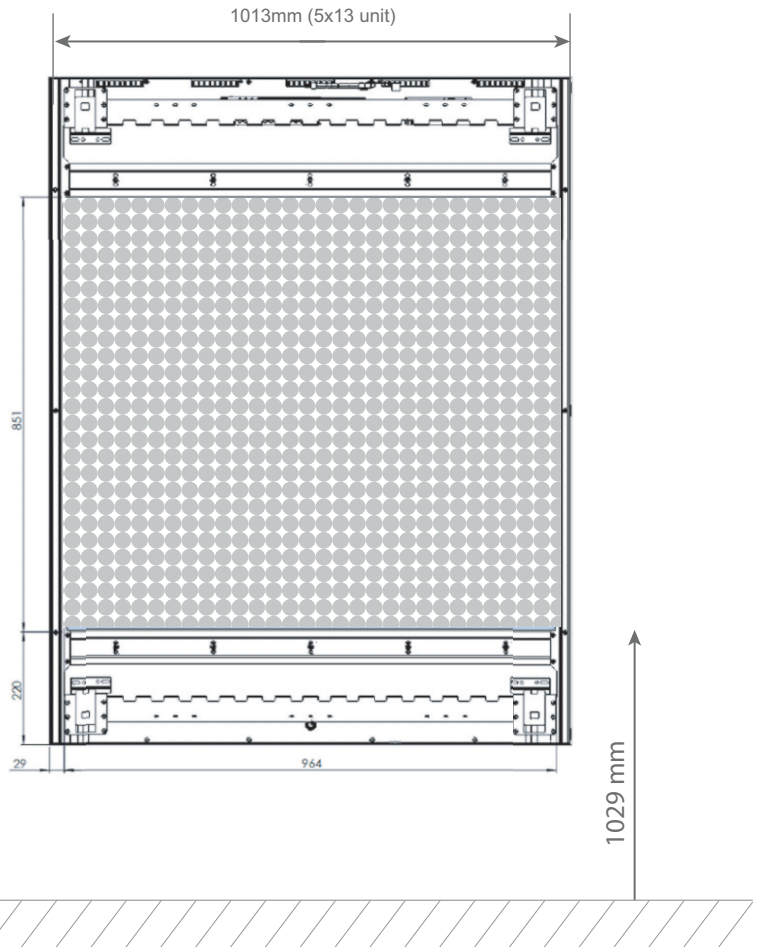
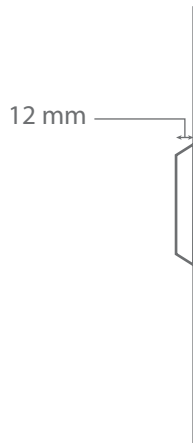
Mounting bracket
art. 24057
4x



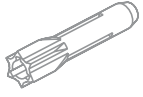
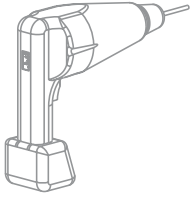
2



Place electricity in the grey area



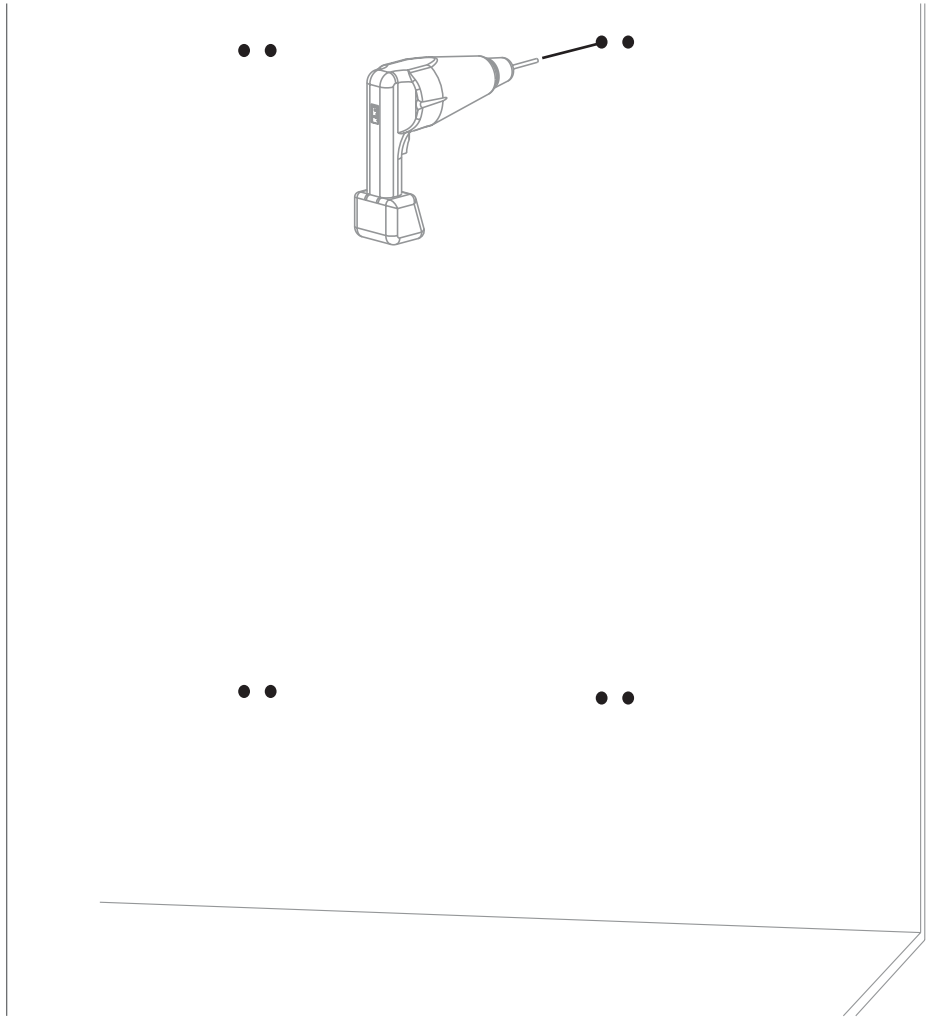
3



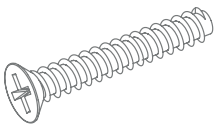
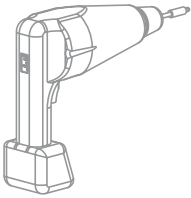
Wall plug
art. 95002
S8 x 40
8x

A Ø2 mm - for assembly on a wooden panel

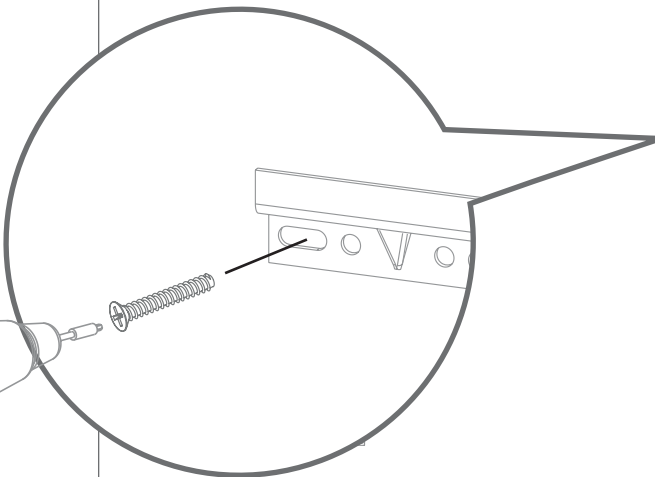
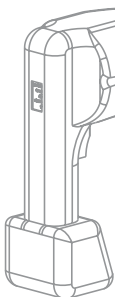
Ø8 mm - for assembly on a stone wall



4



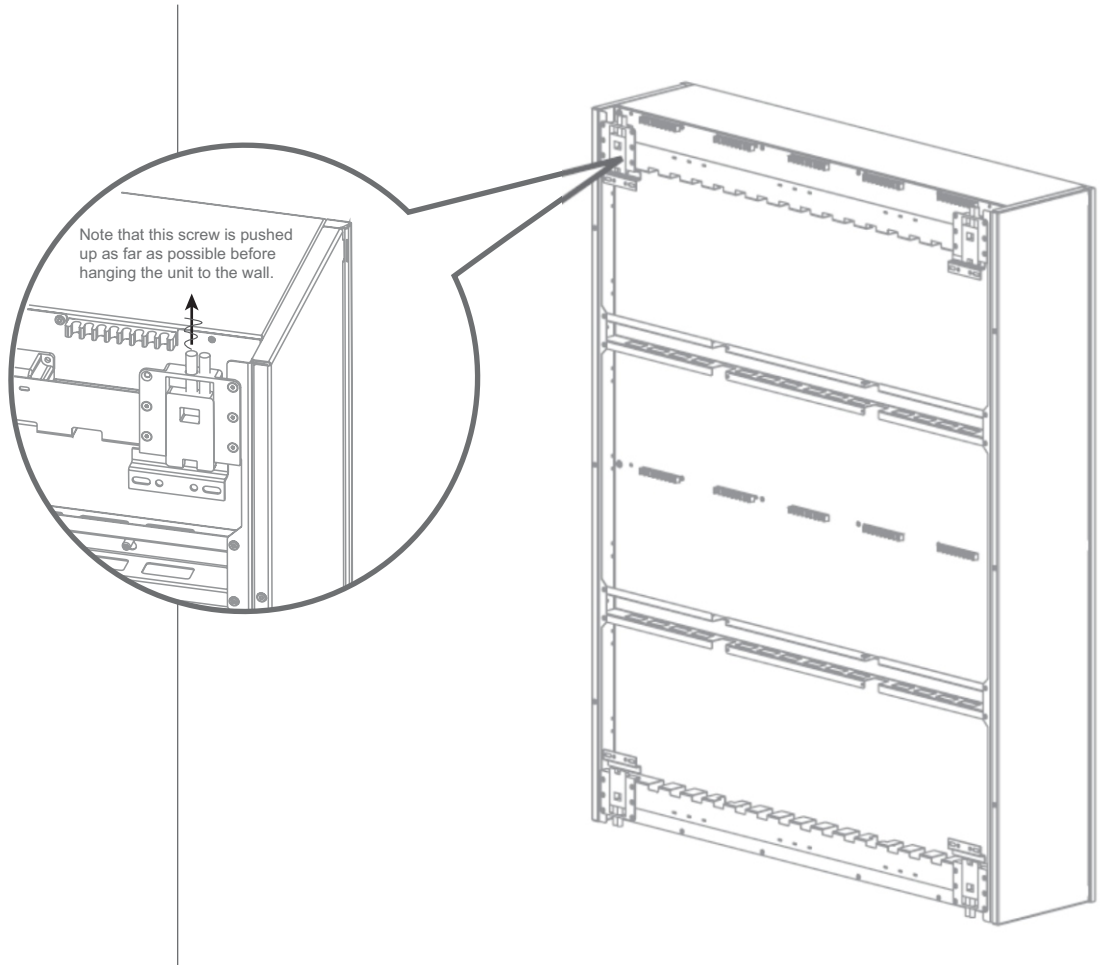
Screw
art. 95003
5,0 x 45mm
8x



5



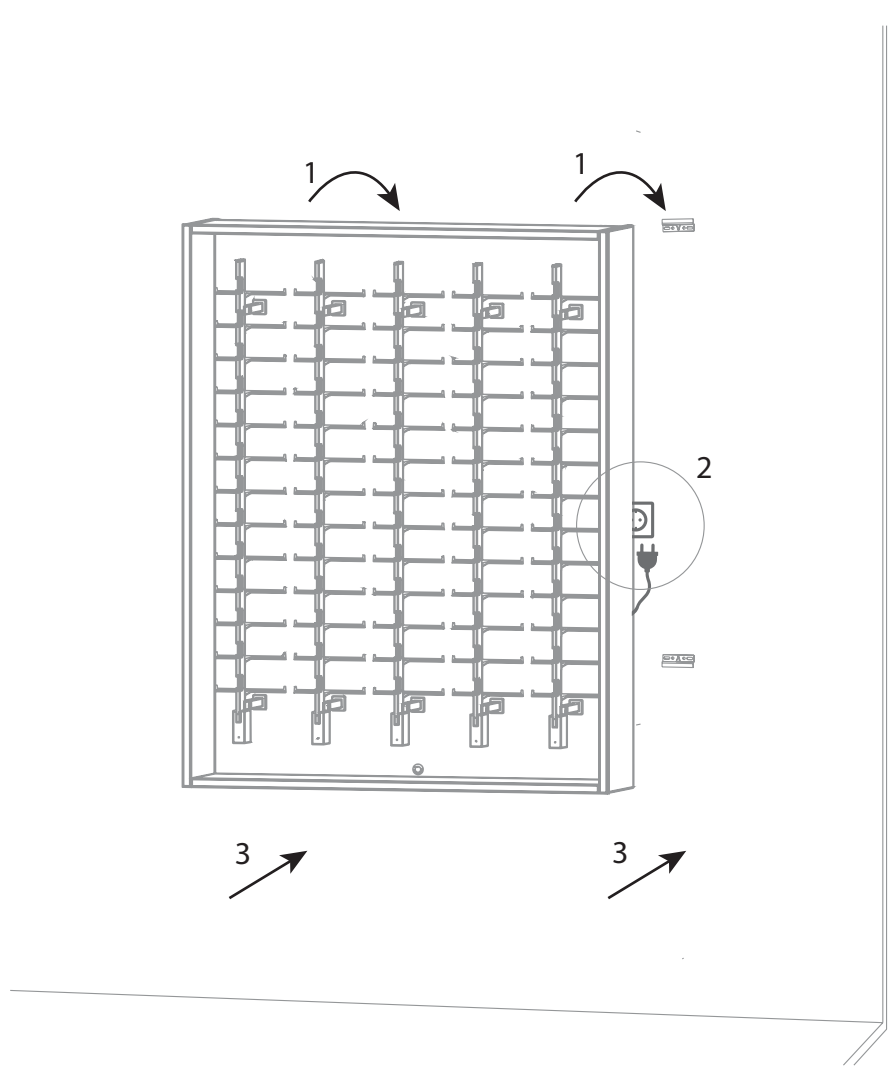
Hexagon wrench #4
art. 92047



6



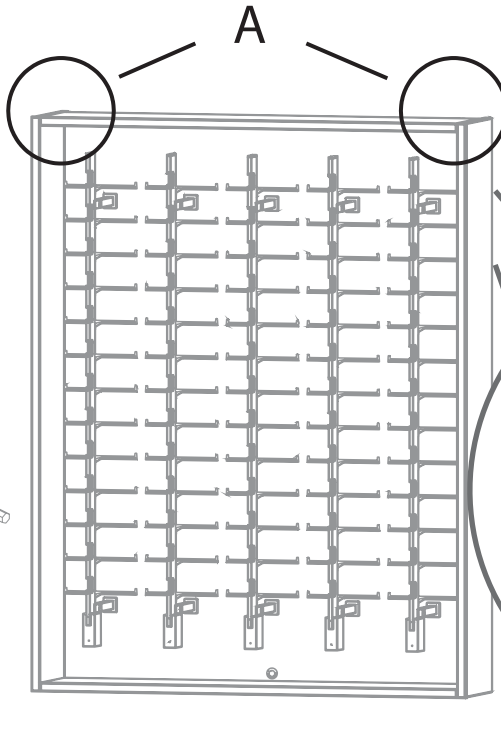
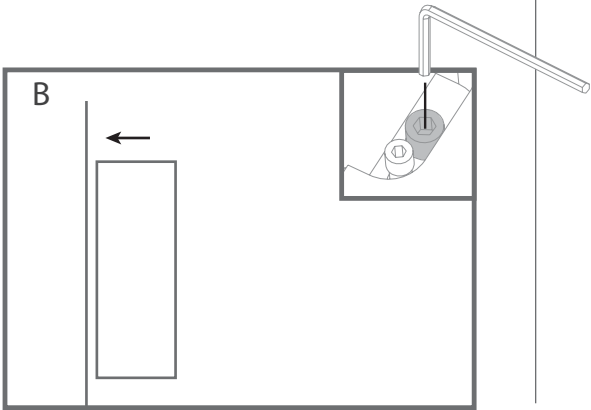
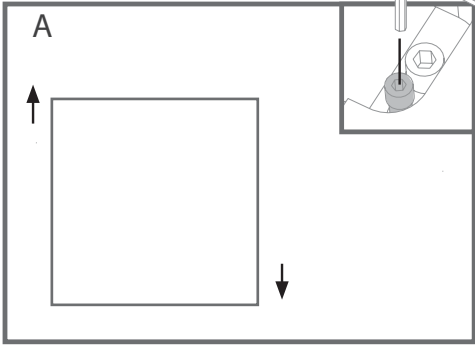
Carré with 5 Alumina rods



7



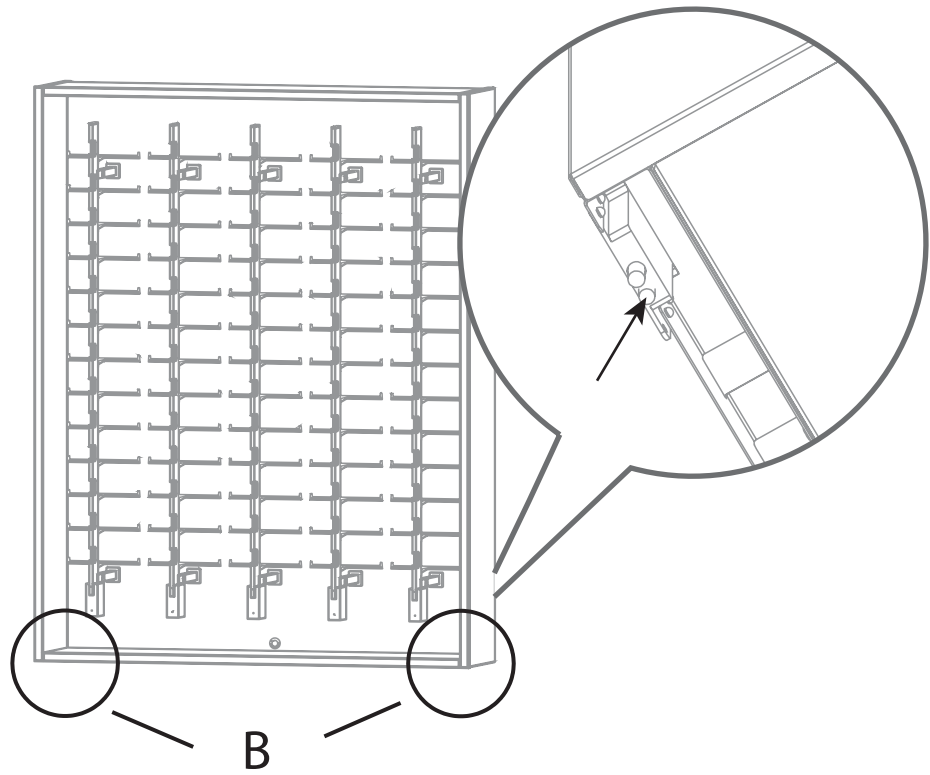
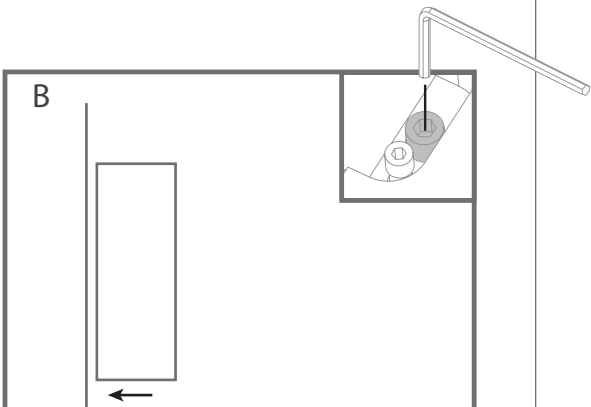
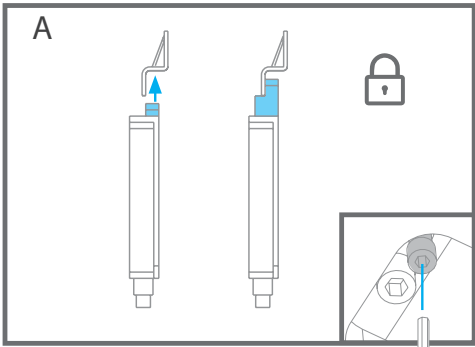
Hexagon wrench #4
art. 92047

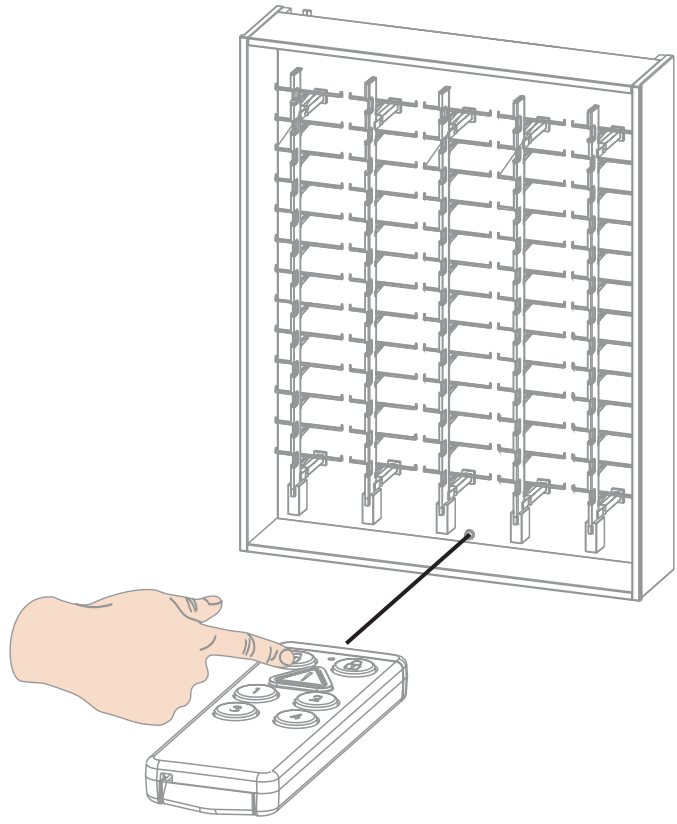


8



Hexagon wrench #4
art. 92047





APPLICATION KEY VERSION

