

IMPORTANT SAFETY INSTRUCTIONS

SAFETY INSTRUCTIONS: DW PANEL + DME-TXT RODS

WARNING - To reduce the risk of burns, fire, electric shock or injury to persons:

1. Close supervision is necessary when this unit is used by, or near children, invalids, or disabled persons.
2. Use this unit only for its intended use as described in this manual.
Do not use attachments not recommended by the manufacturer.
3. Never drop or insert any object into any opening other than the intended use of presenting sunglasses.

MAINTENANCE INSTRUCTIONS - Instructions for cleaning and user maintenance operations:

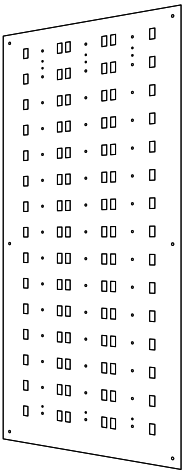
1. The exterior of a SECURE DISPLAY SYSTEM may only be cleaned with a non-static brush.
2. The SECURE DISPLAY SYSTEM has no user serviceable parts. All malfunctioning or damaged components are to be replaced by a service representative duly authorized by Frame Displays

INTENDED USE

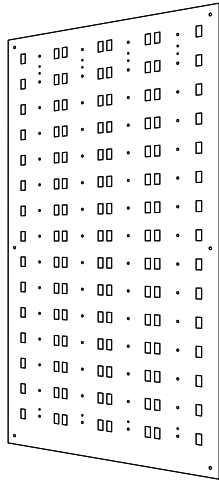
1. The intended use of the Secure Display System is to display eyewear frames and sunglasses.
2. This product is for commercial use only.

PACKAGING CONTENT

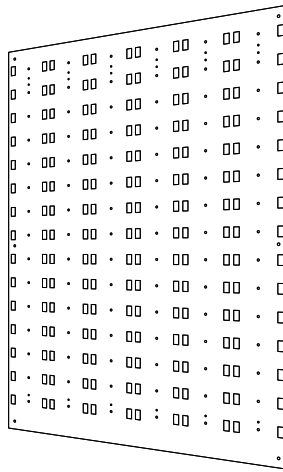
PANEL



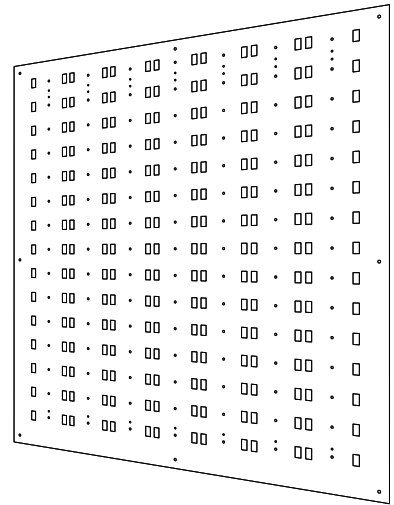
DW-31-45
(1)



DW-31-60FH
(1)

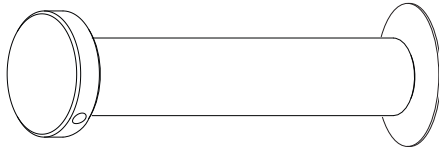


DW-31-90
(1)



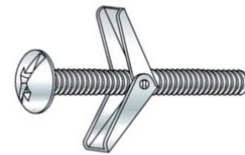
DW-31-105
(1)

Standoff (#13.15.20.85)

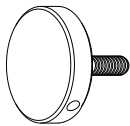


(6/6/6/8)

Butterfly Anchors + Screws



(6/6/6/8)



Standoff Cap
13.15.20.85-CAP



Upper Inside Threaded Barrel
13.15.20.85-BAR



Standoff Cylinder
13.15.20.85-CYL



Standoff Screw
13.15.20.85-SCR



Lower Inside Threaded Barrel
13.15.20.85-BAR



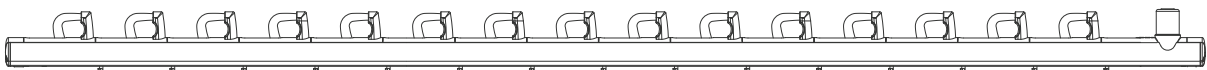
Standoff Washer
13.15.20.85-WSH



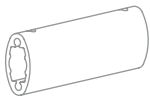
Toggle Bolt

(6/6/6/8)

RODS



15 positions locking DME.TXT.15.WHT.DW.50571 (3/4/6/7)



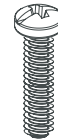
70121 (6/8/12/14)
55mm



70082 (6/8/12/14)
Ø10x20mm



95068 (12/16/24/28)
3,9x38mm

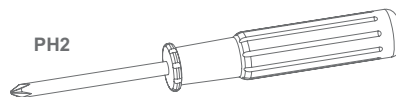
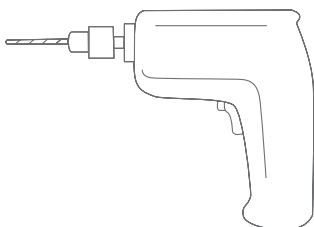


95012 (6/8/12/14)
M4x25mm



95090 (6/8/12/14)
M4x8mm

REQUIRED TOOLS



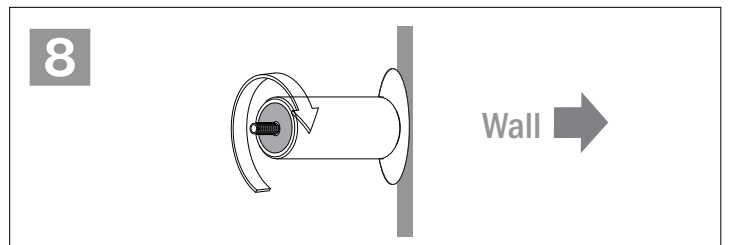
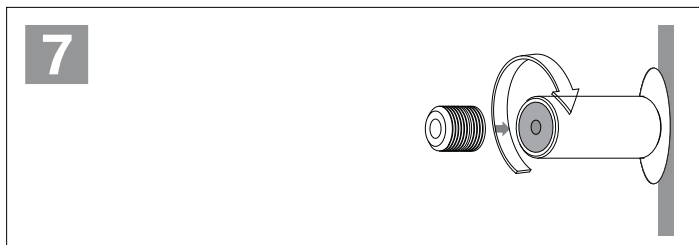
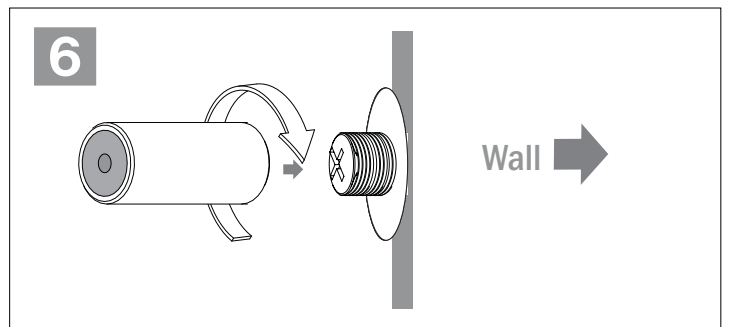
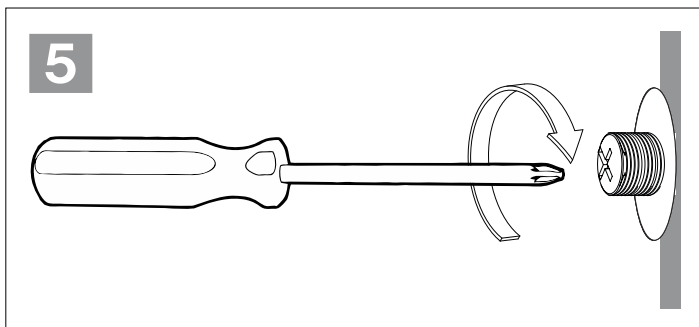
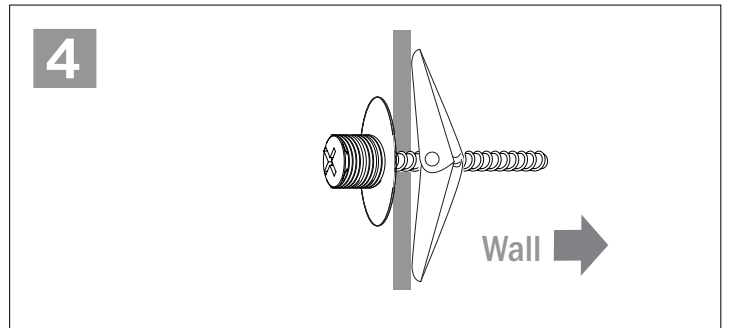
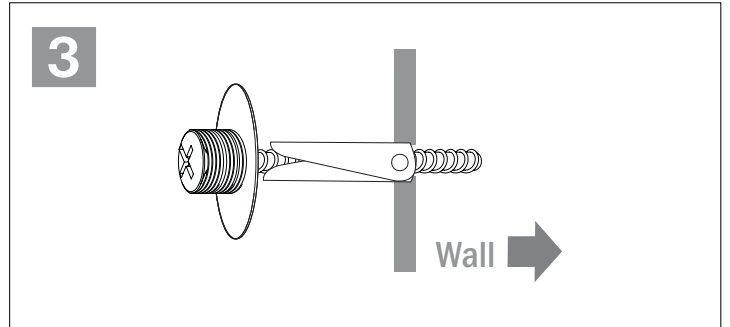
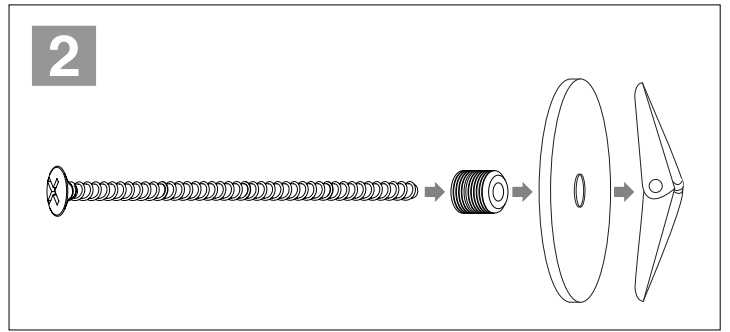
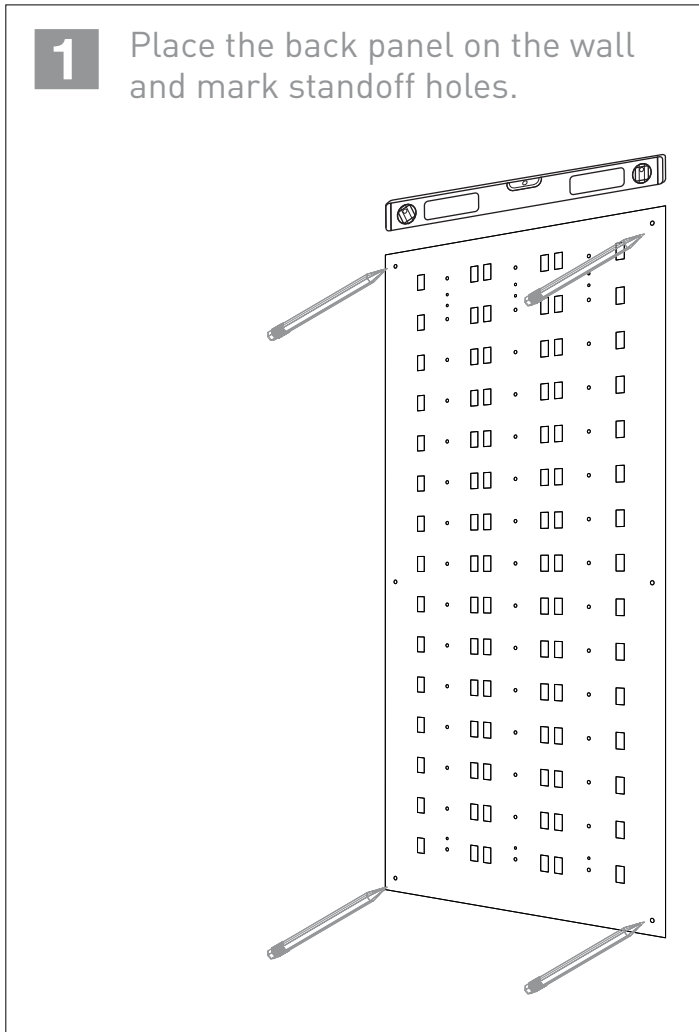
PH2



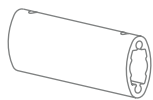
2mm

- Included

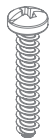
1 Install the standoffs on the marked spots on the wall



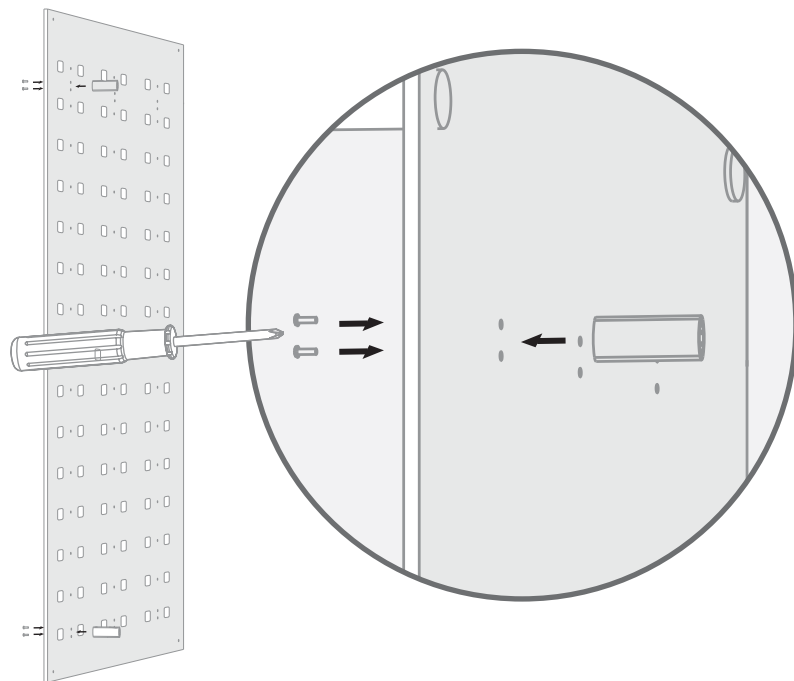
2 Install the rod mountings to the panels



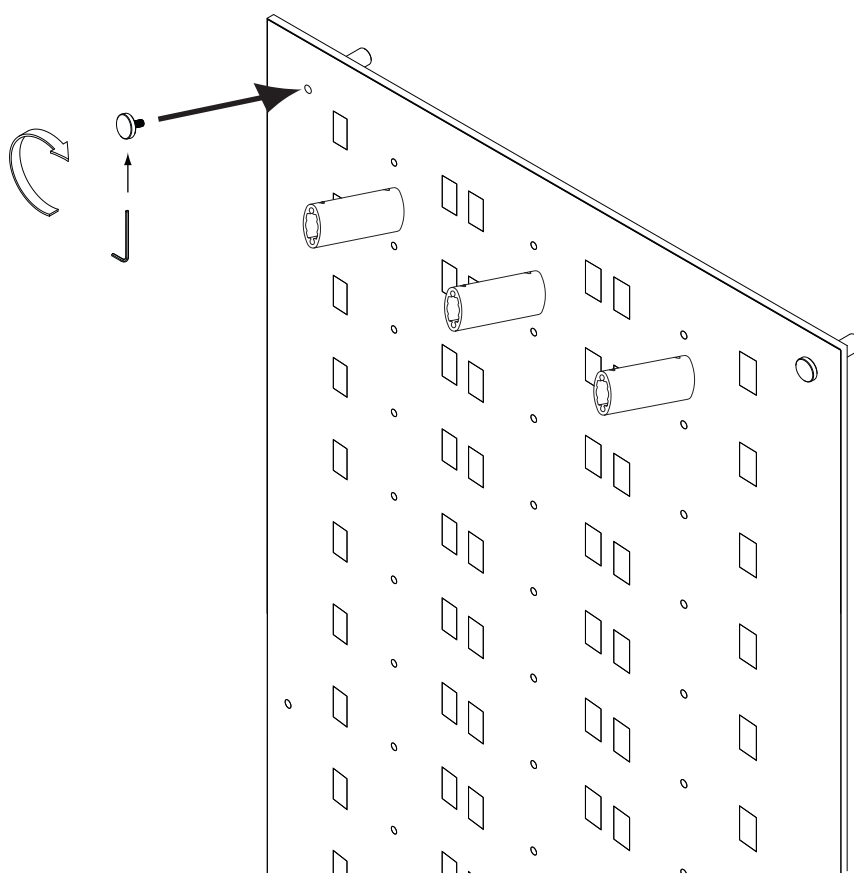
70121 (2x)
55mm



95068 (4x)
3,9x38mm



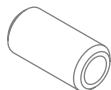
3 Place the complete panel on to the standoffs and secure them with the caps



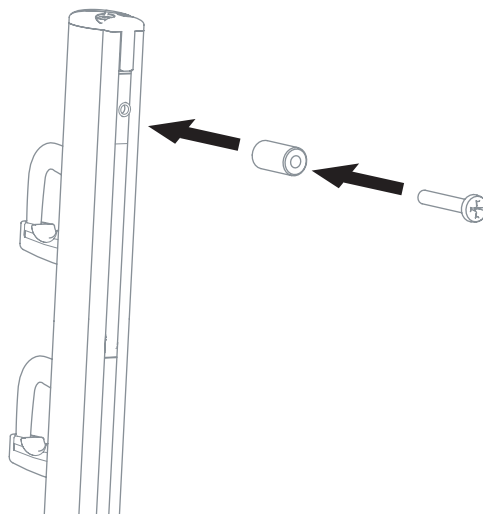
4



95012 (4x)
M4 x 25mm



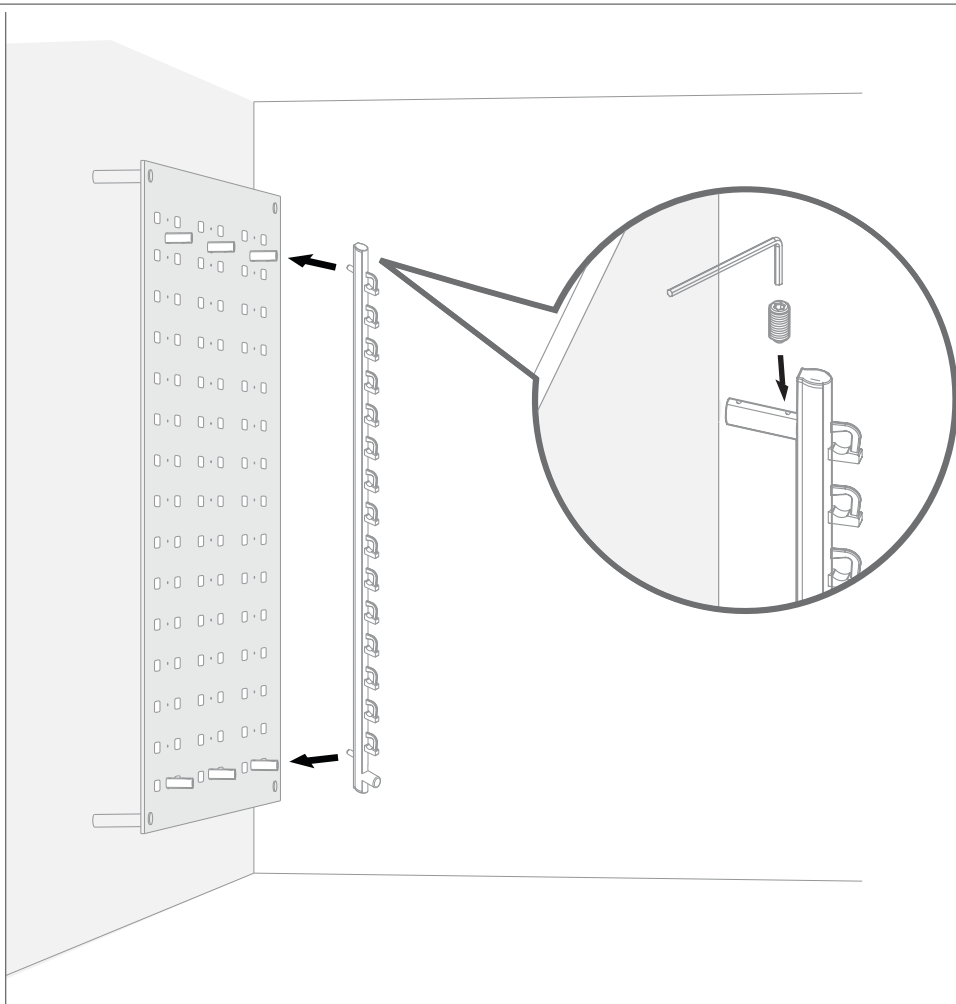
70082 (2x)



5



95090 (2x)
M4 x 8mm (2x)



Key

