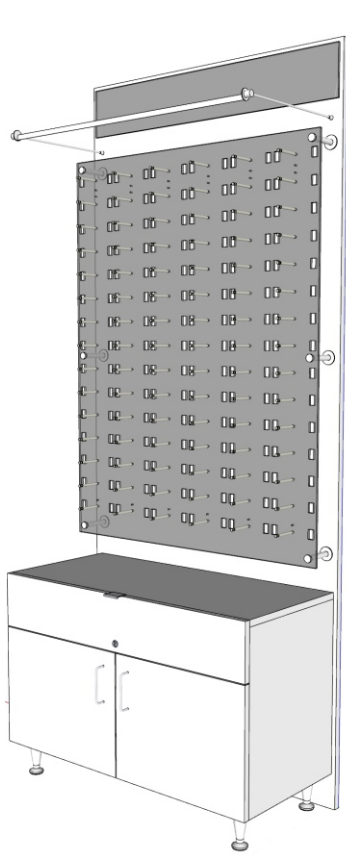
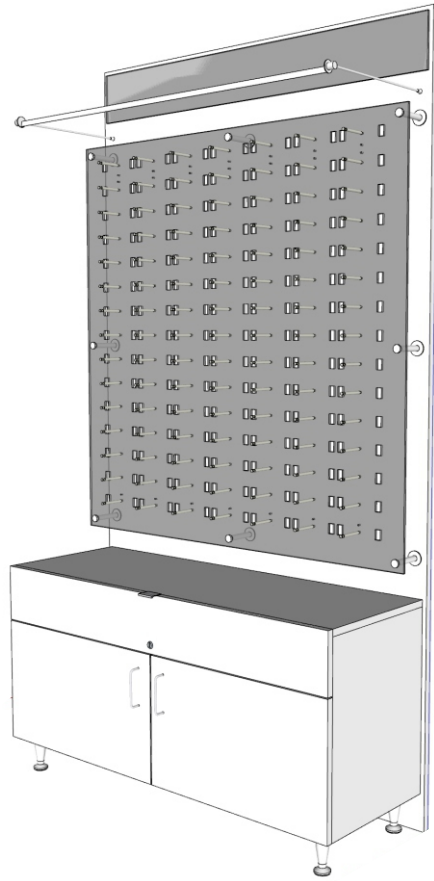


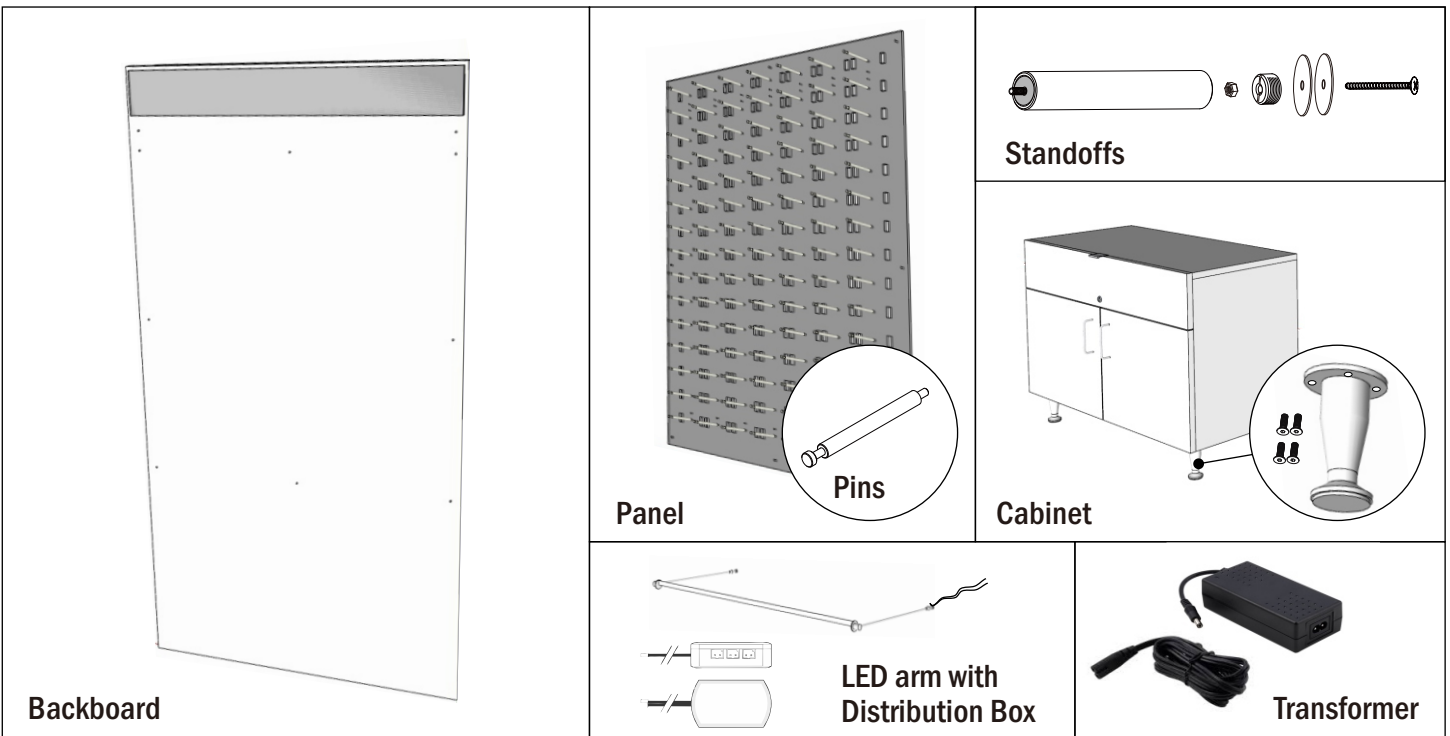
DW backboards with Cabinets



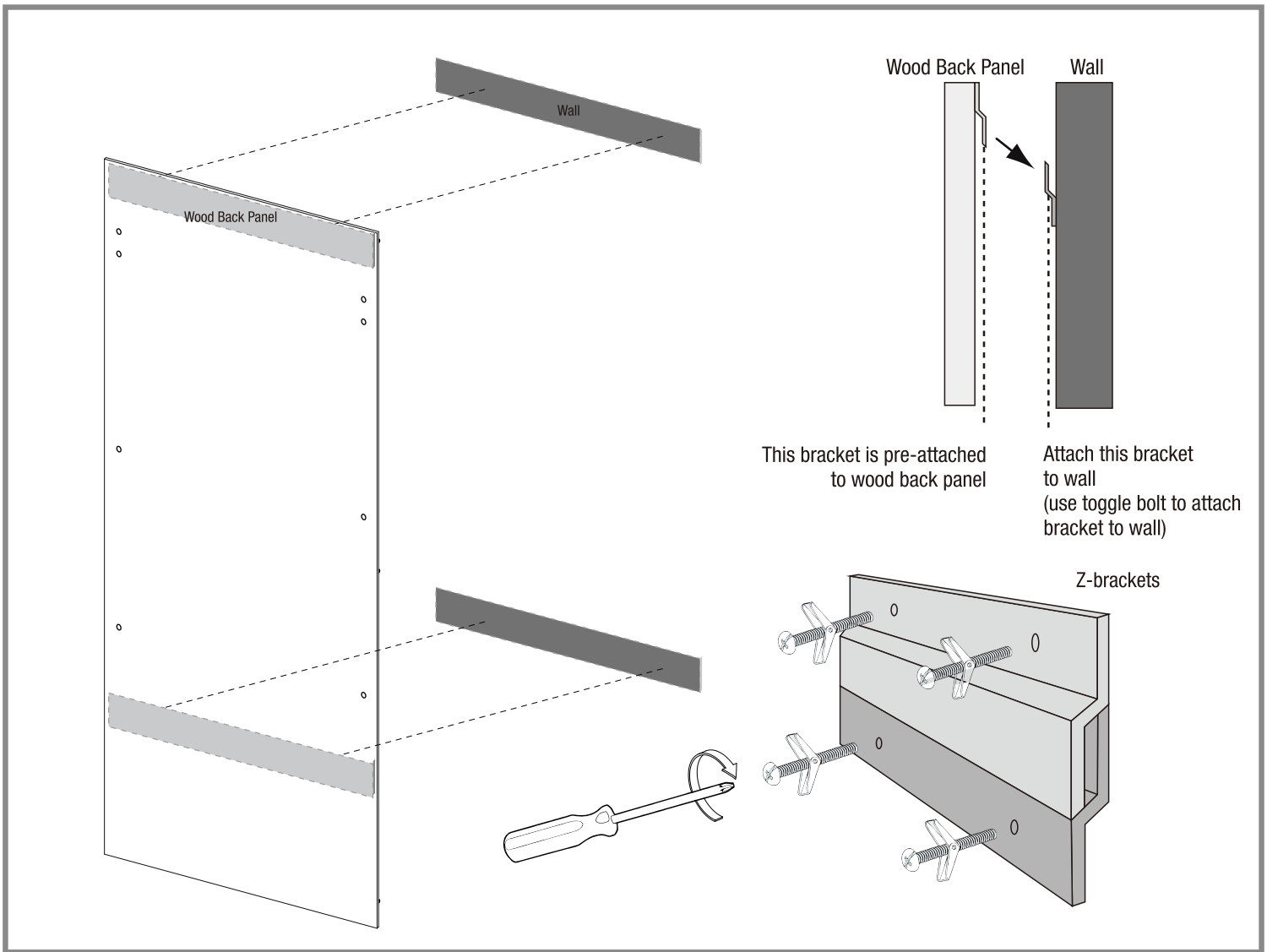
DW-PNL-3-DW-CAB-3



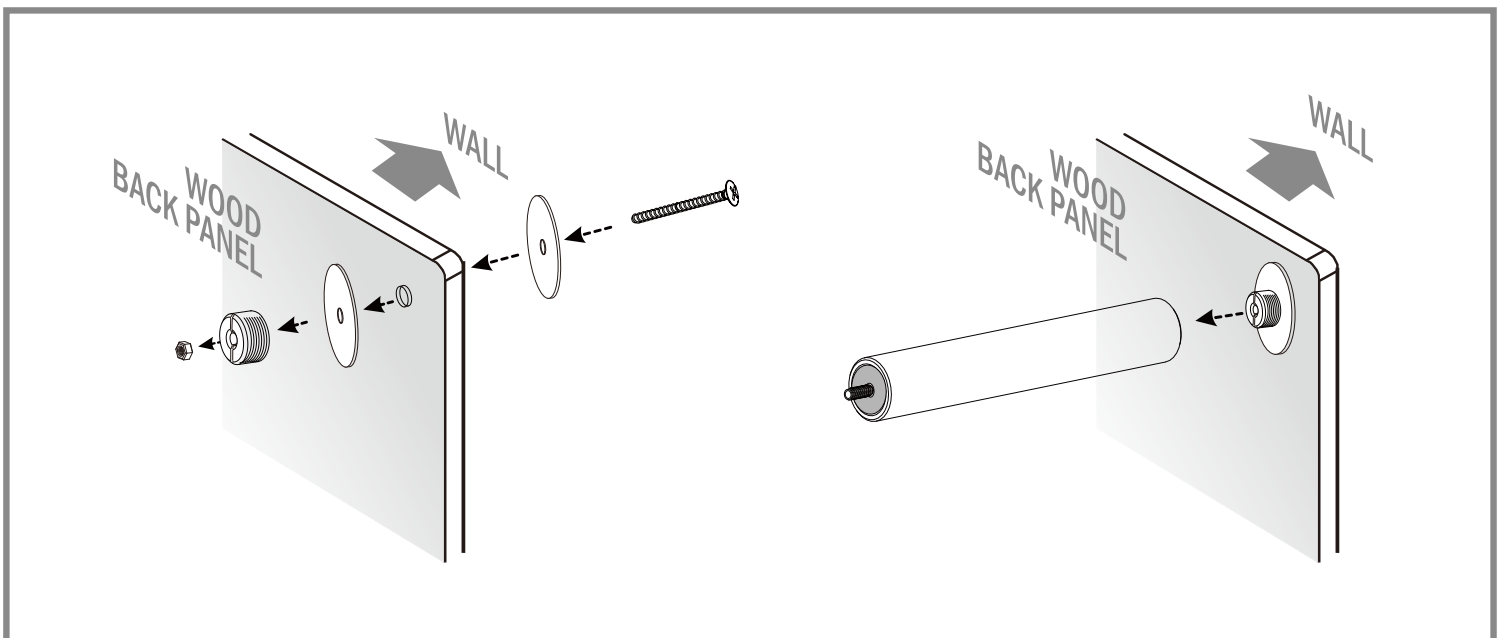
DW-PNL-4-DW-CAB-4



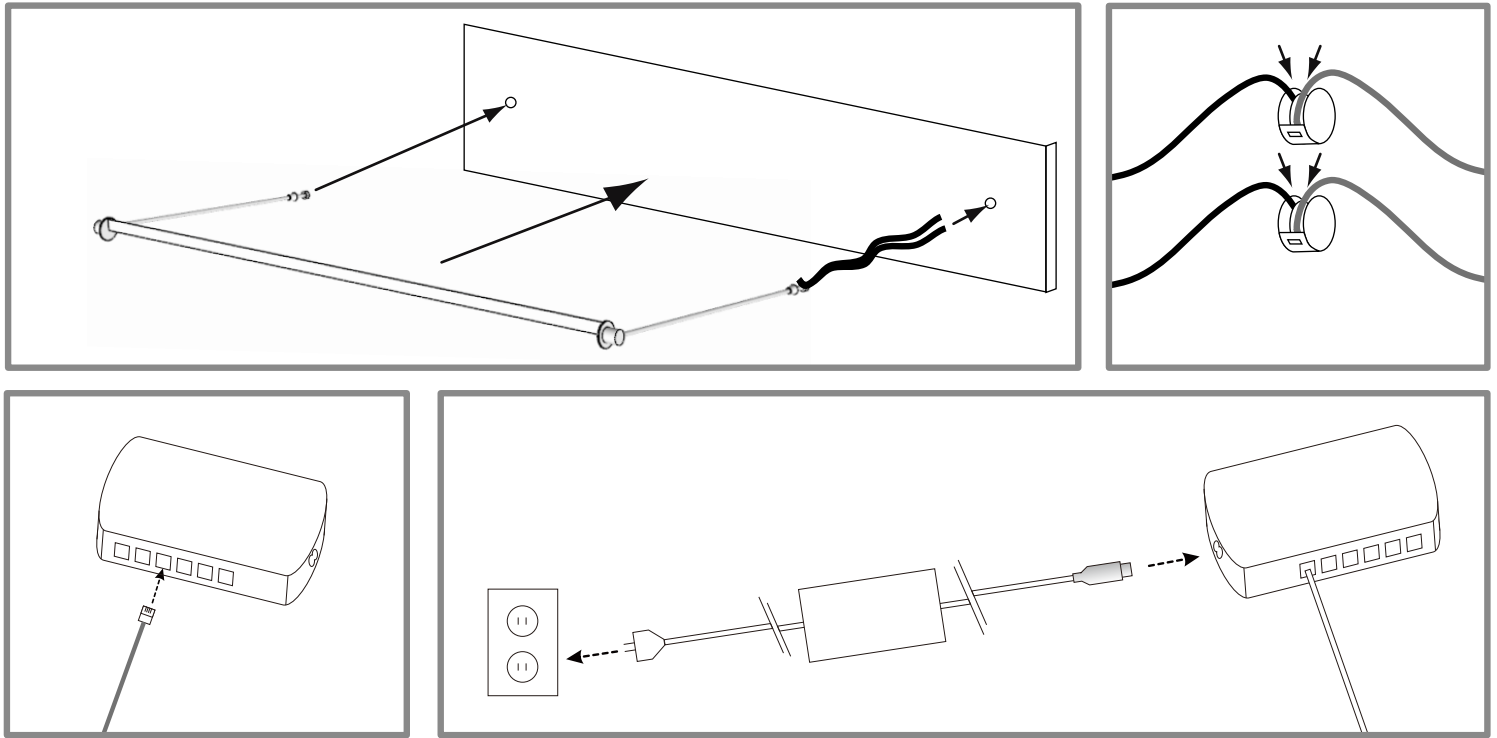
Step 1 Use toggle bolts to attach Z-Brackets to the wall



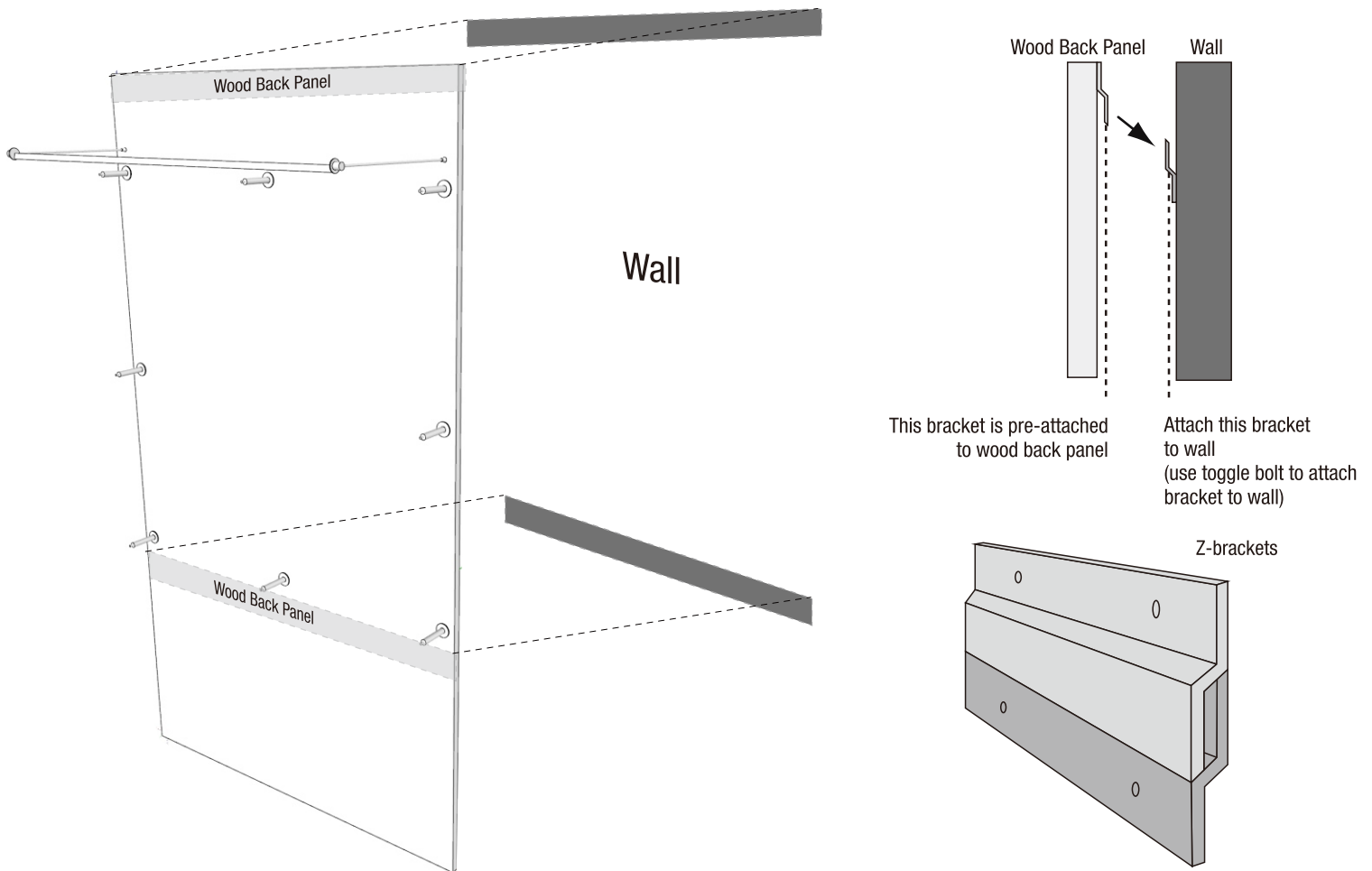
Step 2 Attach standoffs to the backboard (long bolt, washers, and nut)



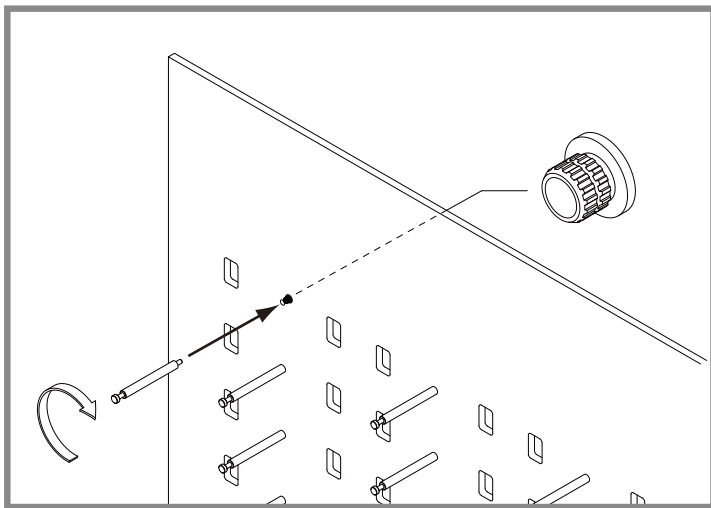
Step 3 Attach LED Arms to the backboard



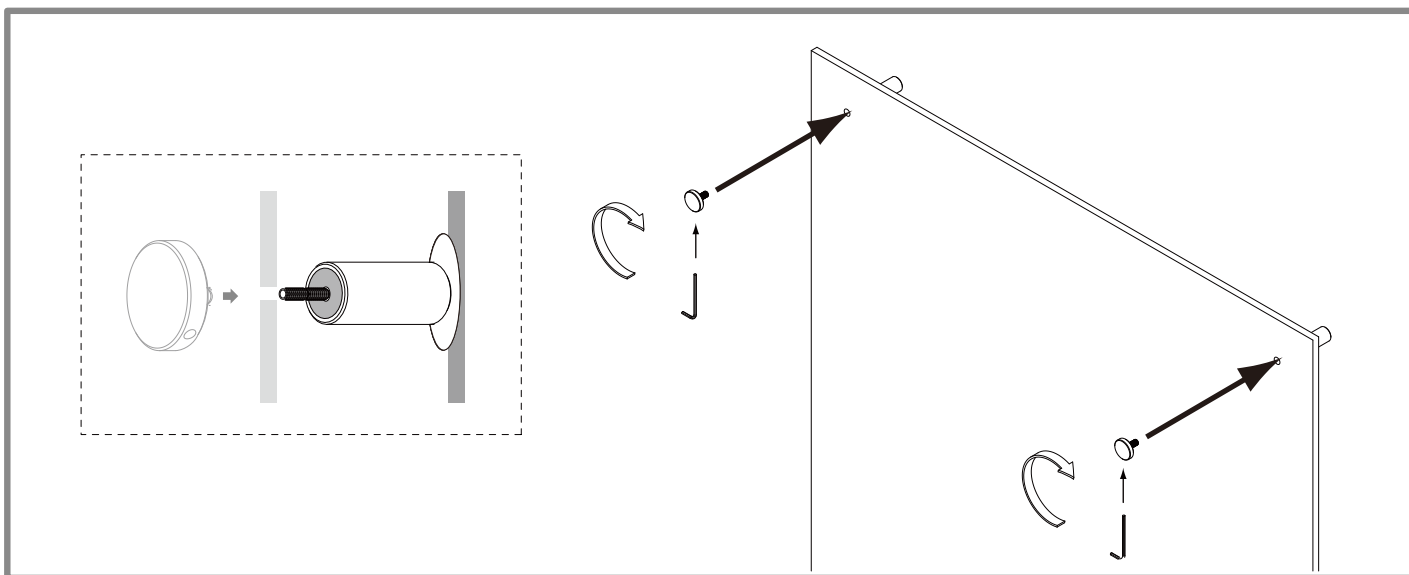
Step 4 Hang the backboard with the LED arm on the Z-brackets from step 1



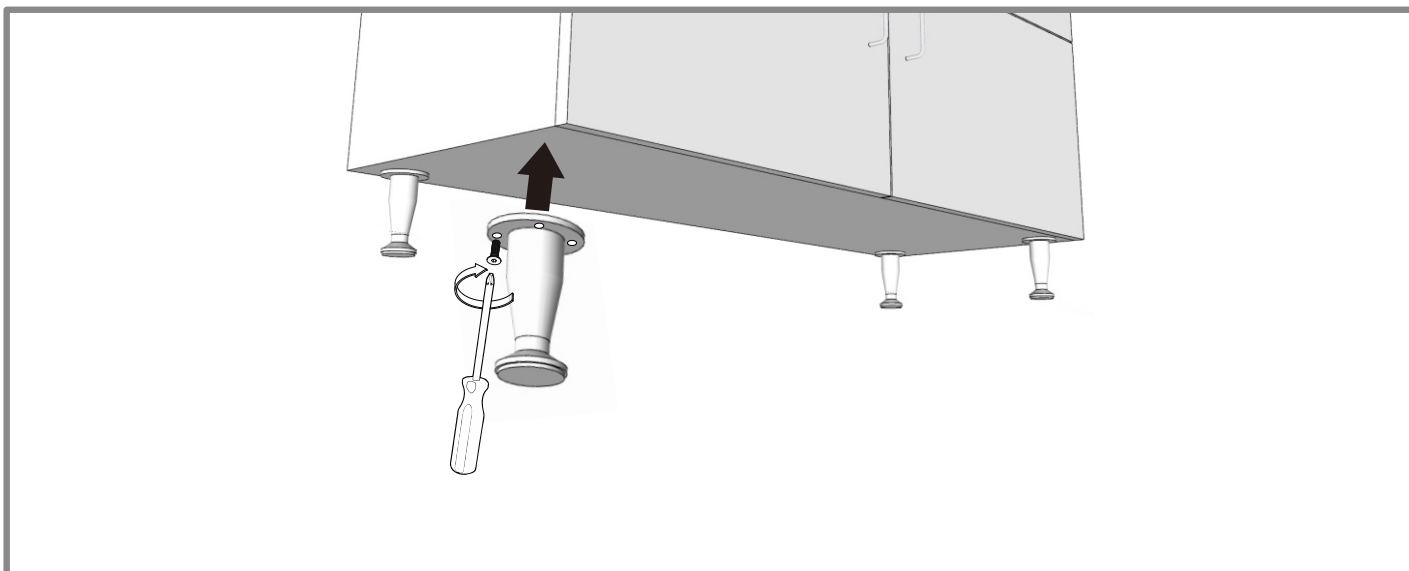
Step 5 Attach the Pins to the acrylic panel



Step 6 Attach and secure the acrylic panel to the standoffs on the backboard



Step 7 Screw in the Cabinet legs



Step 8

Place the cabinet below DW panel

