



Product specifications



Frame Displays USA
22821 Silverbrook Center Dr., Suite 140, Sterling, VA 20166
1-703-435-7770
www.framedisplays.com • info@framedisplays.com



Frame Displays CANADA
416-877-7415
www.framedisplays.com • info@framedisplays.com

Other international +1 703-435-7770
Fax +1 703-435-3180

Saturn - Non locked & Key locked

Optimise your best Instore traffic spots or just invite the passer-by to slow down and enter your store. Saturn displays offer a variety in sizes, capacities and operating systems. All in the same neutral design to fully focus the attention on your collections and the promotional materials that they carry.



Non locked	Sides	Columns	Article
48 positions	1	3	50186
64 positions	1	4	50124
96 positions	2	6	50152
128 positions	2	8	50121

Accessories	Article
Top logo shield 420mm	50260
Top logo shield 610mm	50261
Top logoholder	50506
Mid logoholder	50753
Hookinsert (12)	50481

Key locked	Sides	Columns	Article
45 positions	1	3	50187
60 positions	1	4	50123
90 positions	2	6	50153
120 positions	2	8	50146

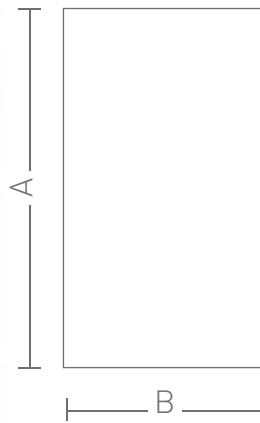
Specifications



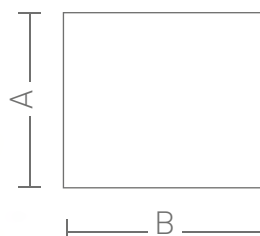
Non locked		Article	A	B	C	D	E	F
48 positions	50186	485	-	-	-	-	-	-
64 positions	50124	685	-	-	-	-	-	-
96 positions	50152	485	-	-	-	-	-	-
128 positions	50121	685	-	-	-	-	-	-
Key locked								
45 positions	50187	485	13	23	13	23	27	
60 positions	50123	685	13	23	13	23	27	
90 positions	50157	Ø584	13	23	13	23	27	
120 positions	50146	685	13	23	13	23	27	

Interchangeable posters

A brand, category, theme or promotional remark helps your clients to navigate through your collection. The interchangeable background/poster option gives you the possibility to present your collection within a specific atmosphere, by simply placing a poster between two transparent panels.

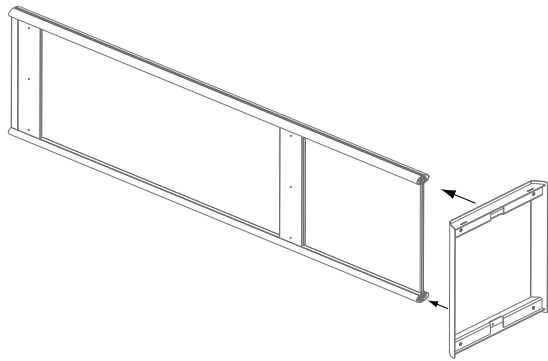


Non Locked	A	B
48 positions	1072	420
64 positions	1072	610
96 positions	1072	420
128 positions	1072	610
Key Locked		
45 positions	1072	420
60 positions	1072	610
90 positions	1072	420
120 positions	1072	610

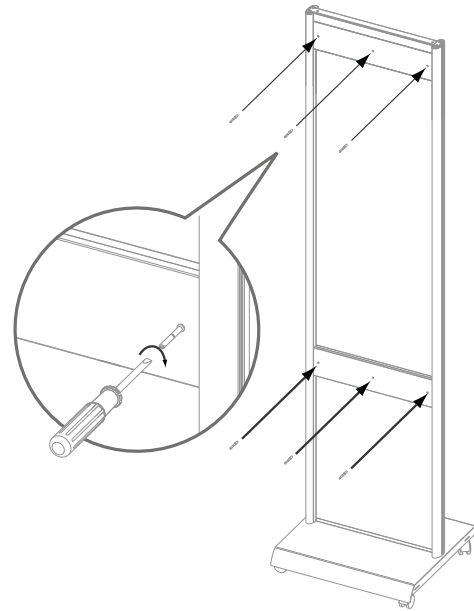


Non Locked	A	B
48 positions	525	420
64 positions	525	610
96 positions	525	420
128 positions	525	610
Key Locked		
45 positions	525	420
60 positions	525	610
90 positions	525	420
20 positions	525	610

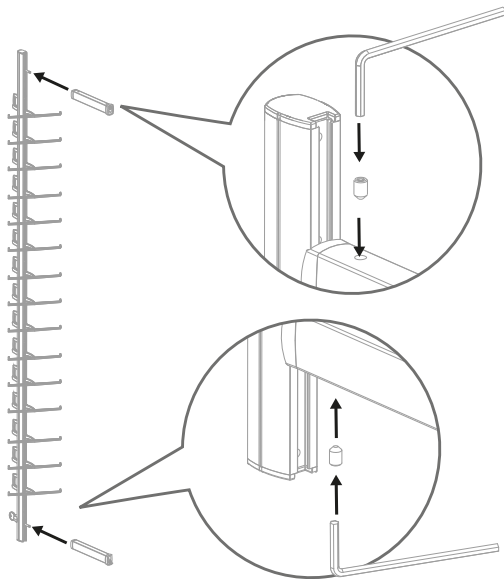
Easy mounting



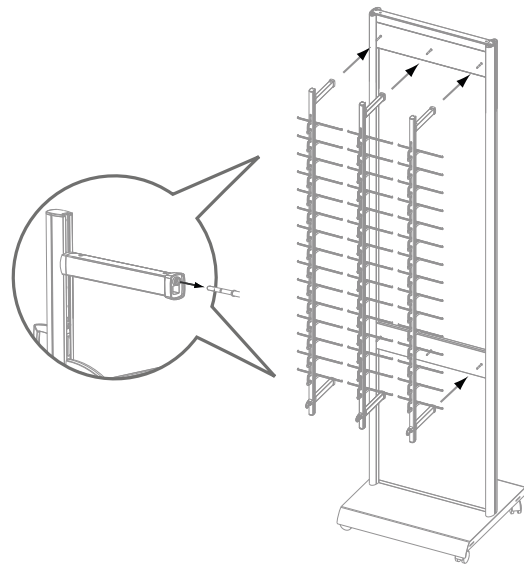
Place the unit on its side to easily fasten its base onto its chassis.



Fasten the pens that will hold the columns.



Assemble the brackets onto the column.



Slide the column over the pens and fasten the screws again.



Frame Displays.com

22821 Silverbrook Center Dr.

Suite 140

Sterling, VA 20166

United States of America

Tel: 877-274-9300

info@framedisplays.com

www.framedisplays.com