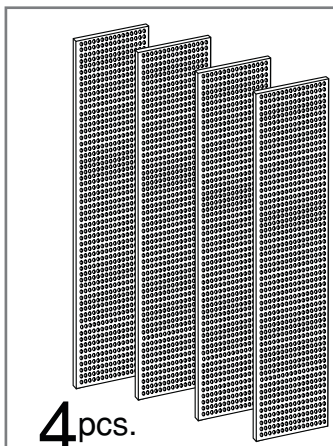
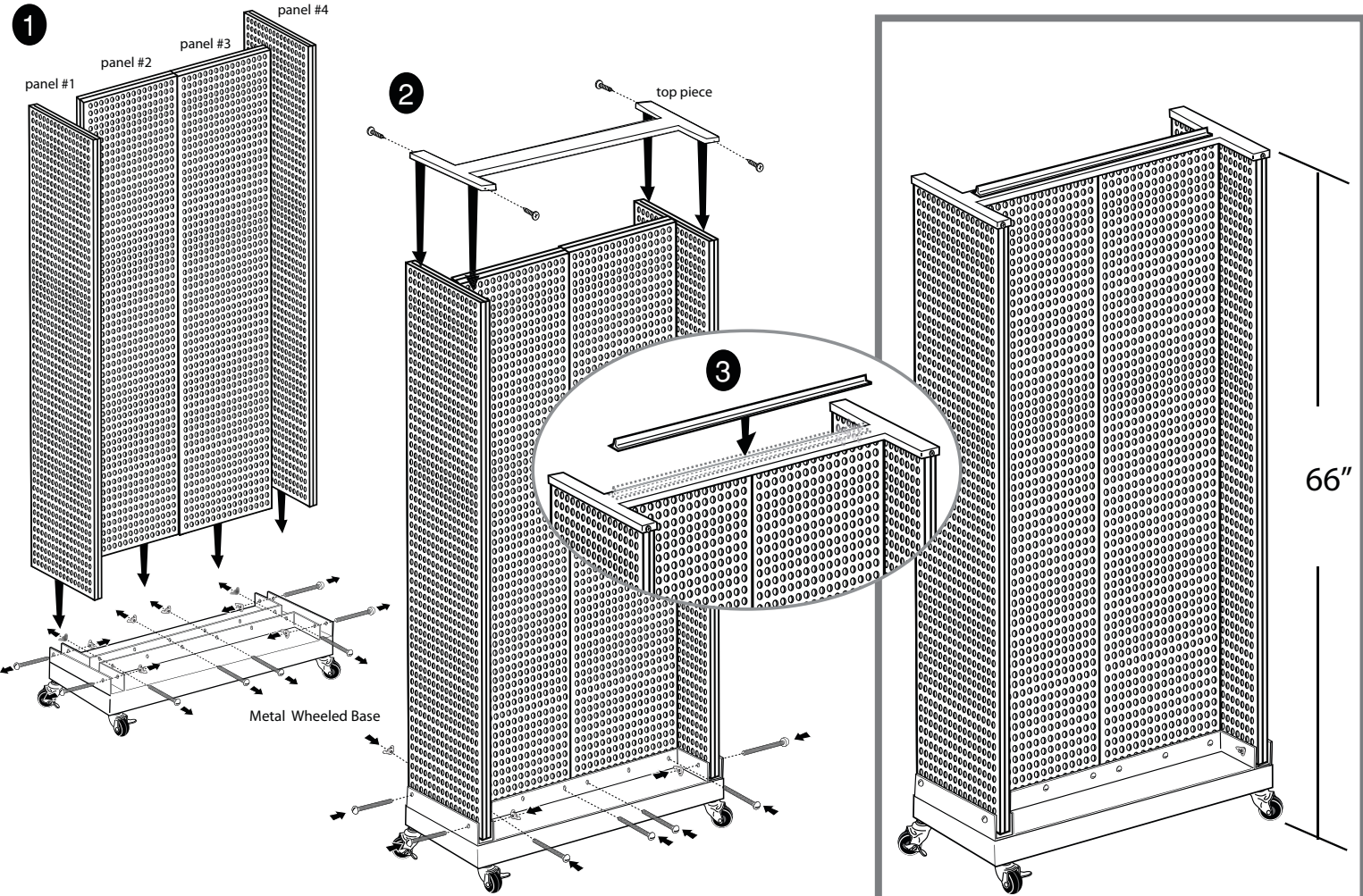


assembly:

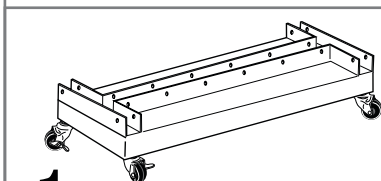
1 Align the three pegboard panels onto the wheeled base, then insert into place one panel at a time. then secure into place with provided screws and wing nuts.

2 peel adhesive tape back off and align the top piece to the pegboard tower and adhere to top of the pegboard. Secure the assembled pegboard by screwing it into place.

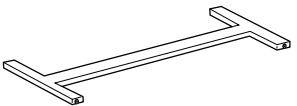
3 peel adhesive tape back off t-strip and adhere to top piece.



4 pcs.
16" X 60" DOUBLE SIDED
PEGBOARD PANELS



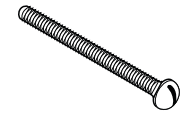
1 pcs.
METAL BASE WITH WHEELS



1 pcs.
TOP PIECE



8 pcs.
32" T-STRIP



8 pcs.
BOLTS



4 pcs.
WING NUTS



4 pcs.
SCREWS