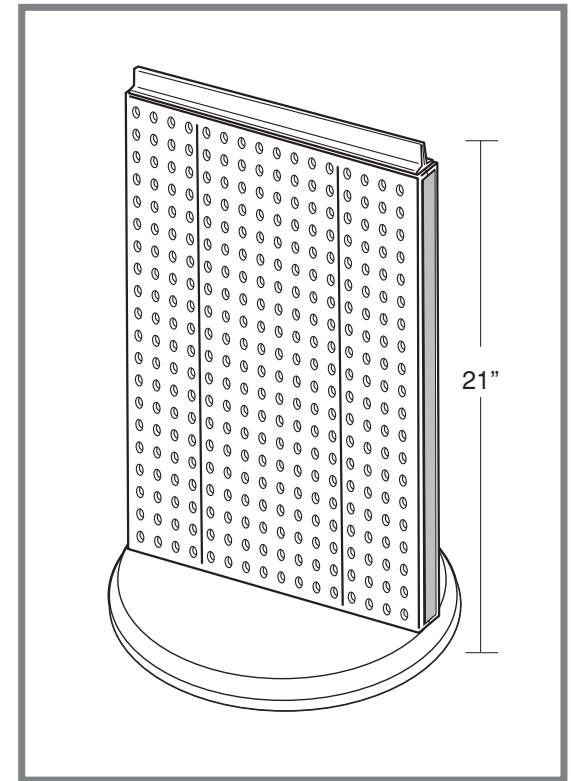
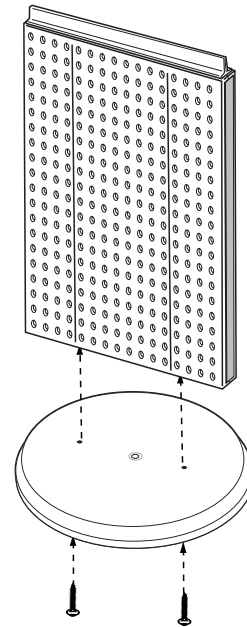
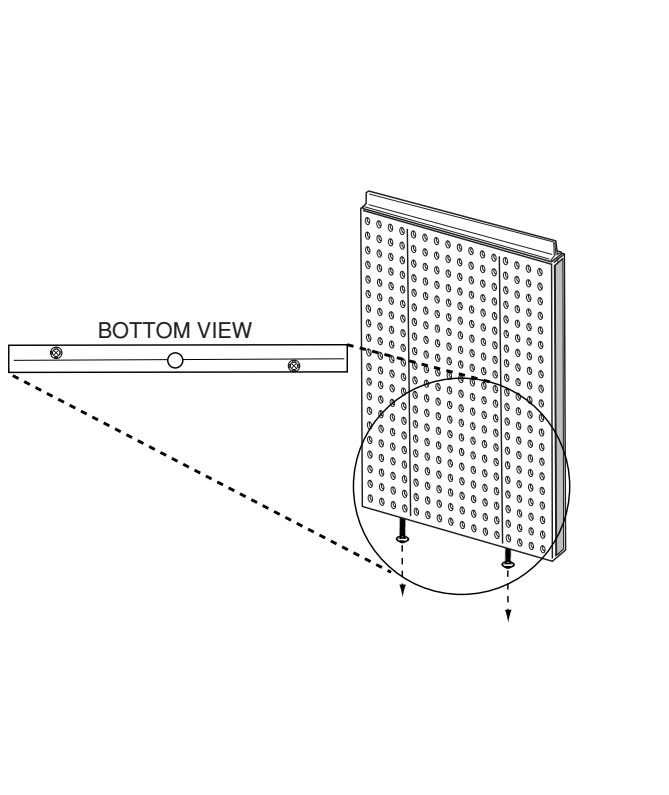


#700500 16" X 20" REVOLVING PEGBOARD COUNTER DISPLAY

1 Unscrew the two screws from the bottom of the pegboard panel .

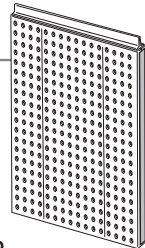
2 Align the revolving base with the pegboard so the holes match. Secure the pegboard to the base with provided screws .



PART# 771620 / 700046

1 pc.

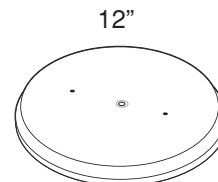
16" X 20" DOUBLE SIDED
PEGBOARD PANEL WITH 16" T-STRIP



PART# 610112

1 pc.

12" PLASTIC
REVOLVING BASE



P-SCREW-.75 ST

2 pcs.
SCREWS

