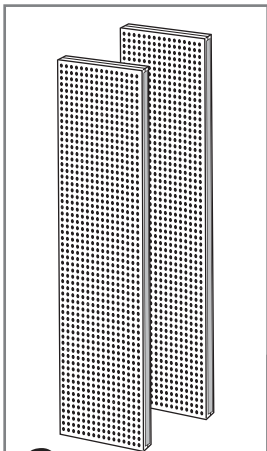
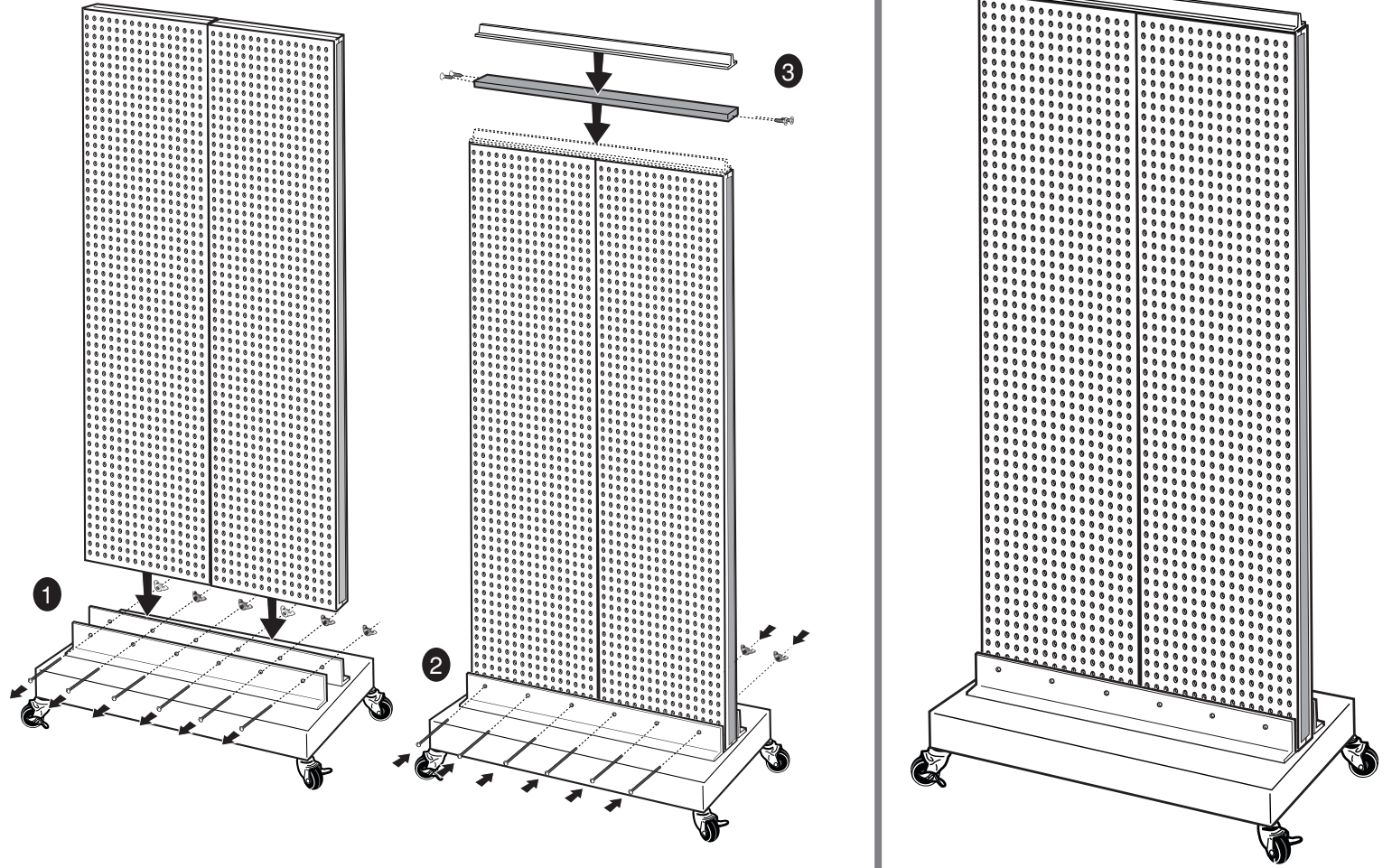


ASSEMBLY:

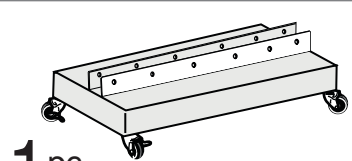
1 Remove bolts and wing nuts from wheeled base. Then insert both pegboard panels side by side into track on the wheeled base.

2 Line up the pegboard with the holes the metal base and secure using the bolts and wing nuts.

3 Attach the top cap and secure in place with screws provided and peel adhesive tape back off t-strip and adhere to the top cap.



2 pcs.
16" X 60"
DOUBLE SIDED
PEGBOARD PANELS



1 pc.
WHEELED METAL BASE

PART# 700091-CLR



1 pc.
32" T-STRIP

PART# P-B-700732-TOP



1 pc.
32" METAL TOP CAP

PART# P-SCREW-2.5



6 pcs.
BOLTS

PART# P-PWNUT-10ZP



6 pcs.
WING NUTS

PART# P-SCREW-.5SM-A



4 pcs.
SMALL SCREWS