



- P2: Safety instructions
- P3: Contents
- P4: Assembly instructions

SAFETY INSTRUCTIONS: TOP LED SHELVES

IMPORTANT SAFETY INSTRUCTIONS

Before using an electrical unit, basic precautions should always be followed, including the following:

DANGER - To reduce the risk of electric shock:

1. This TOP LED DISPLAY SYSTEM contains electronic components.
Do not open these without a qualified electrician.

WARNING - To reduce the risk of burns, fire, electric shock, or injury to persons:

1. Close supervision is necessary when this unit is used by, or near children, invalids, or disabled persons.
2. Use this unit only for its intended use as described in this manual.
Do not use attachments not recommended by the manufacturer.
3. Never operate this unit if it has a damaged cord or plug, if it is not working properly, if it has been dropped or damaged, or dropped into water. Return the product to a service center for examination and repair.
4. Never drop or insert any object into any opening other than the intended use of presenting sunglasses.
5. Do not use outdoors / for indoor use only!

MAINTENANCE INSTRUCTIONS - Instructions for cleaning and user maintenance operations:

1. The exterior of a TOP LED DISPLAY SYSTEM may only be cleaned with a non-static brush.
2. The TOP LED DISPLAY SYSTEM has no user serviceable parts. All malfunctioning or damaged components are to be replaced by a service representative duly authorized by Frame Displays

INTENDED USE

1. The intended use of the TOP LED DISPLAY SYSTEM is to display eyewear frames and sunglasses.
2. This product is for commercial use only.

WATTAGE

530MM = 9 WATT
930MM = 14 WATT

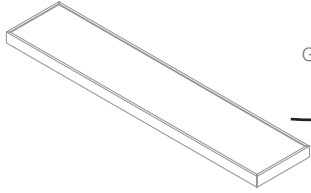
MAX WEIGHT

2KG

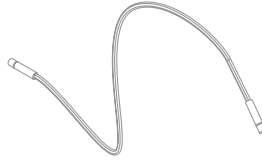


Note!

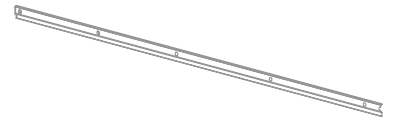
Glass shelf is not fixed



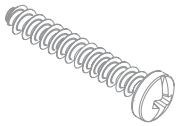
42627 = Shelf 530 - 7 watt
530x195x35mm
42628 = Shelf 930 - 14 watt
930x195x35mm



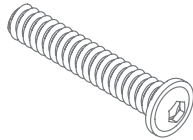
24392
100cm



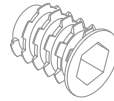
Rail
430mm / 830mm



3,9x30mm
Shelf 530 = 4x
Shelf 930 = 6x



95215
M5x20
Shelf 530 = 3x
Shelf 930 = 4x



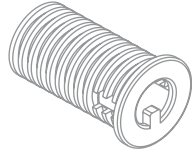
95046
M5
Shelf 530 = 3x
Shelf 930 = 4x



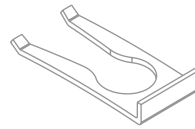
95148
M5
Shelf 530 = 3x
Shelf 930 = 4x



95102
M5
Shelf 530 = 3x
Shelf 930 = 4x



24391A
Plug
1x

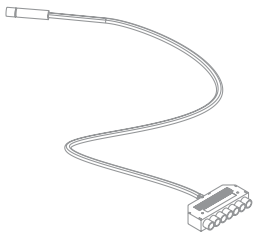


24391B
Clicker
1x

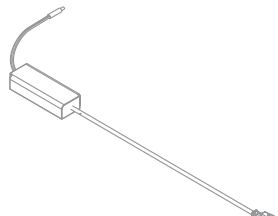


Safety gloves

DRIVER SET



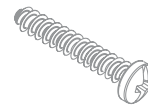
24379
1x
100cm



22463
for 6x 530mm shelf
for 4x 930mm shelf



95071
3,9x13
2x

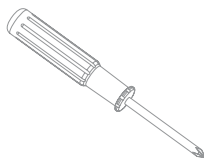


95660
2,9x25
2x

REQUIRED TOOLS



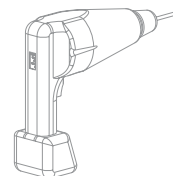
94034 #3
92045 #5



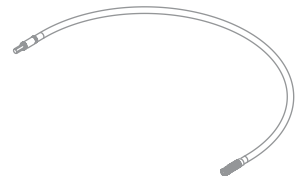
P2



Glass tool

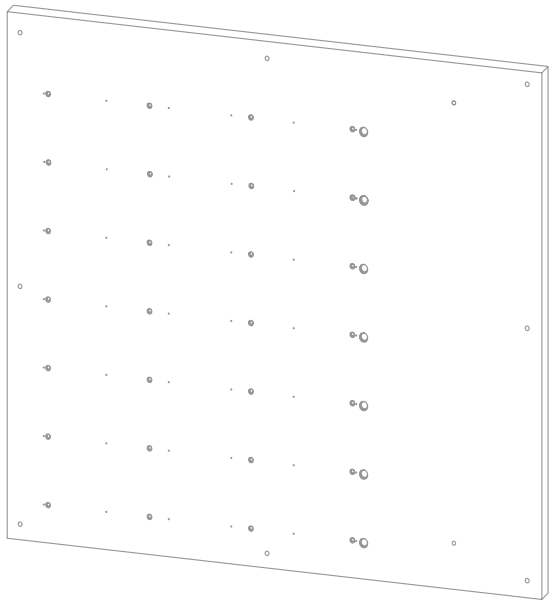


H4



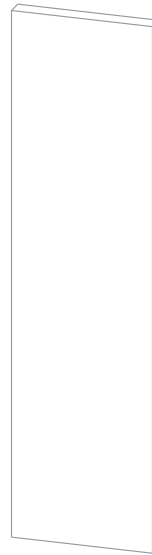
Flexible bitholder

PANEL

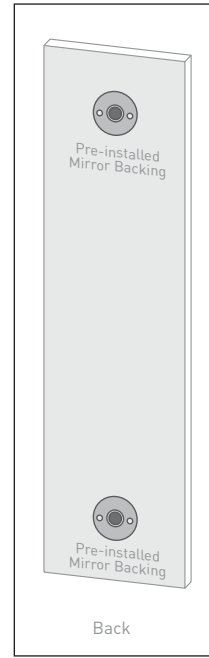


(1)

MIRROR

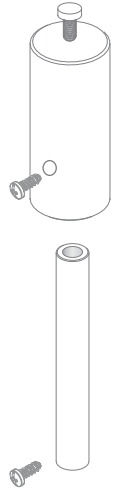


Front



Back

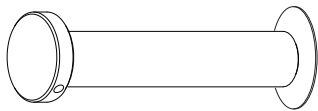
(1)



27.19.10.00.MR

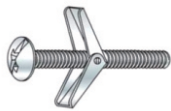
(2)

STANDOFF

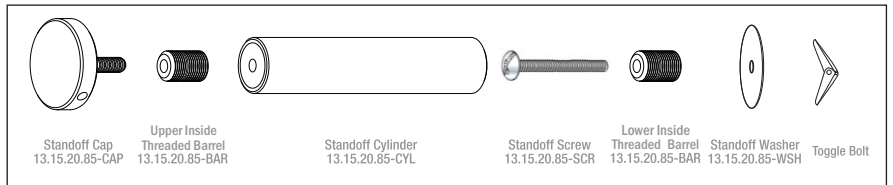


Standoff (#13.15.20.85)

(8)



Butterfly Anchors + Screws



Standoff Cap
13.15.20.85-CAP

Upper Inside
Threaded Barrel
13.15.20.85-BAR

Standoff Cylinder
13.15.20.85-CYL

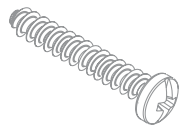
Standoff Screw
13.15.20.85-SCR

Lower Inside
Threaded Barrel
13.15.20.85-BAR

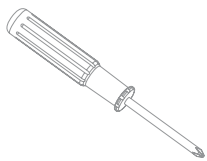
Standoff Washer
13.15.20.85-WSH

Toggle Bolt

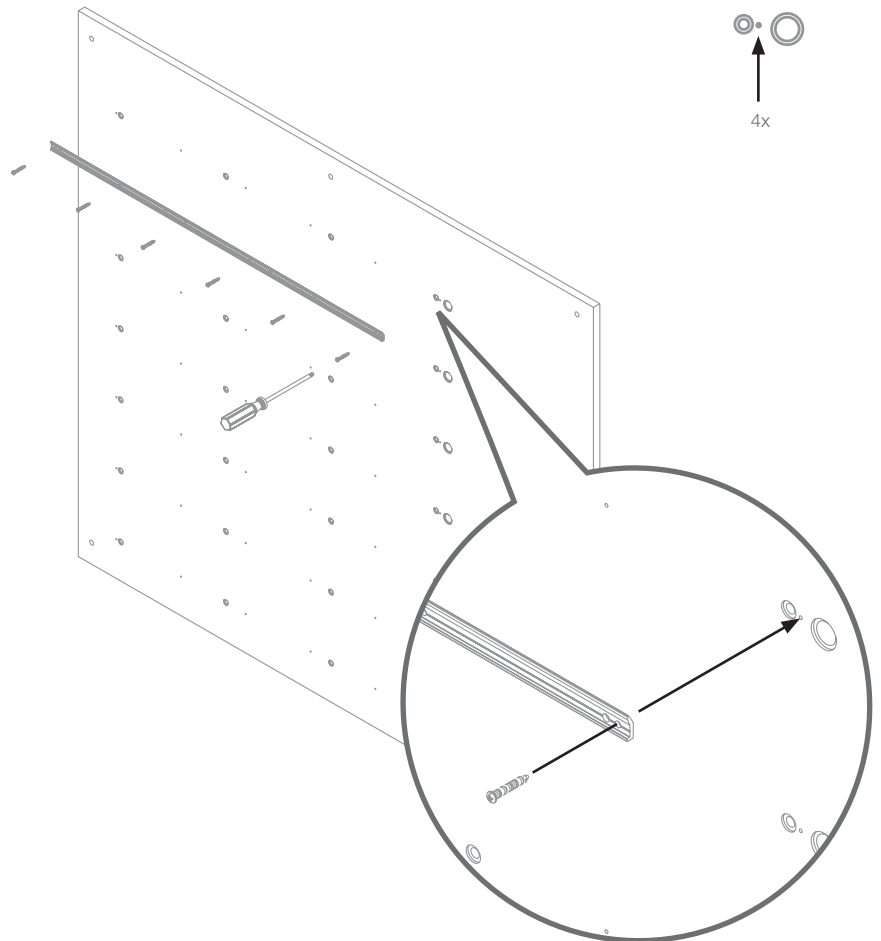
1



3,9x30mm
4x

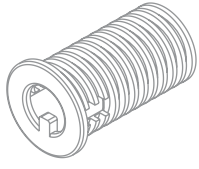


P2

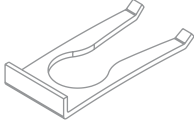


4x

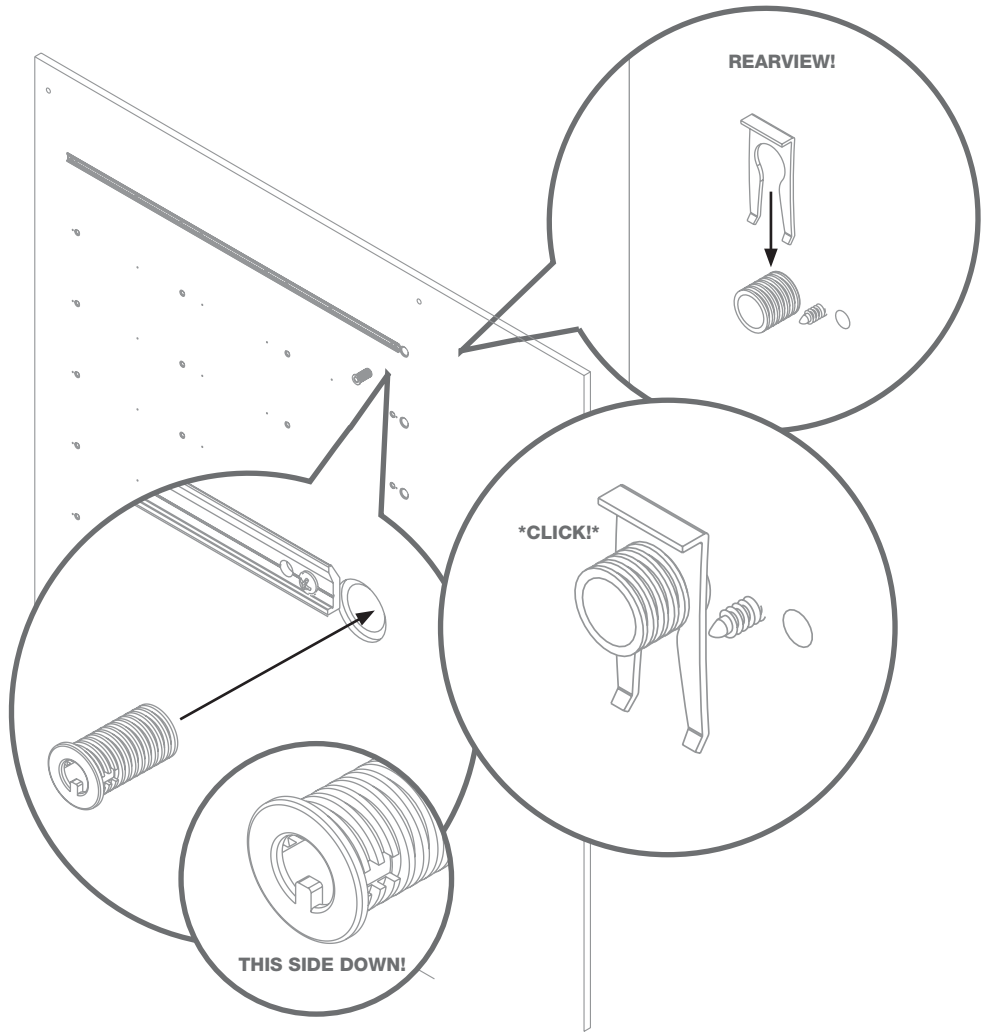
2



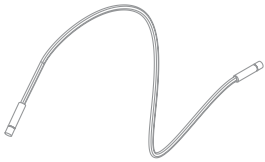
24391
Plug
1x



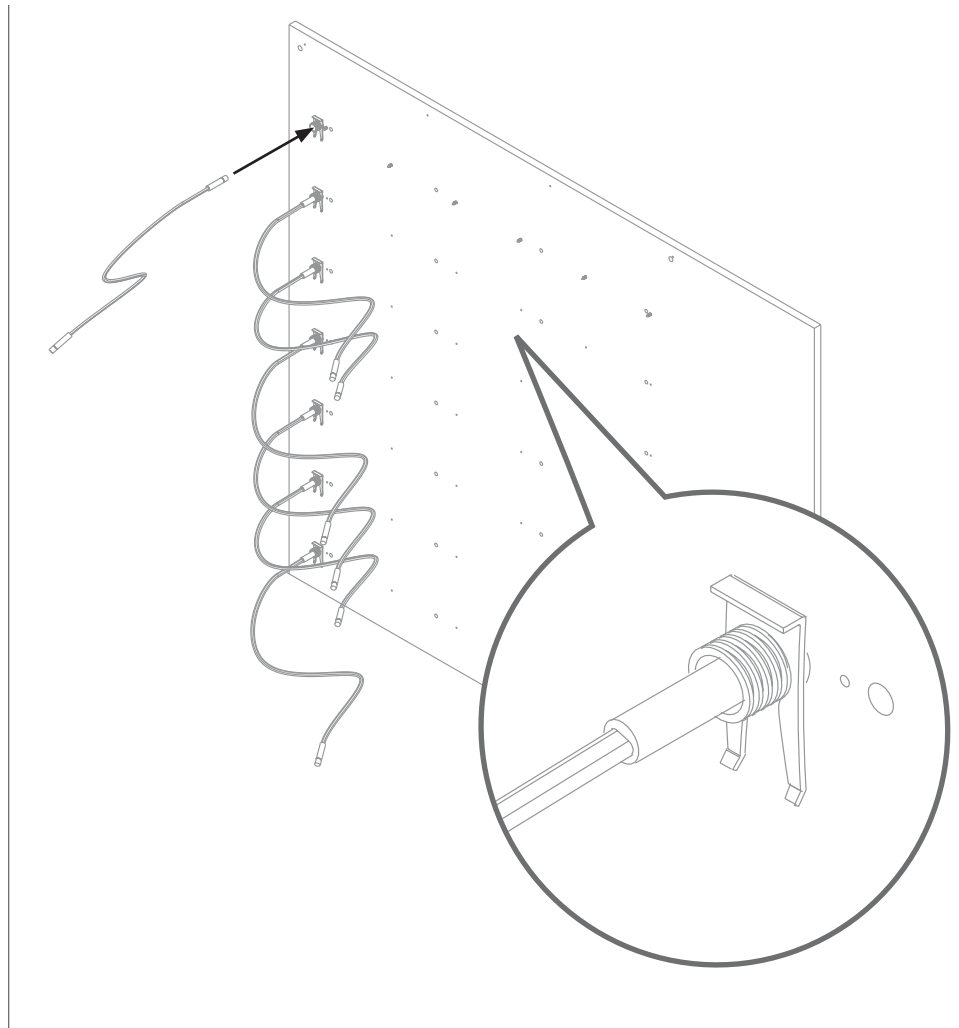
24391
Clicker
1x



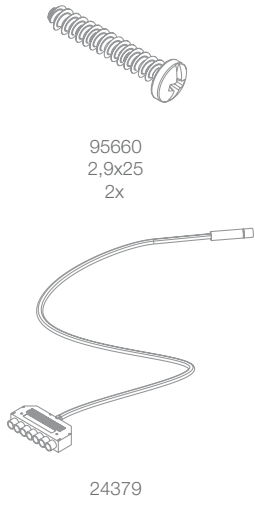
3



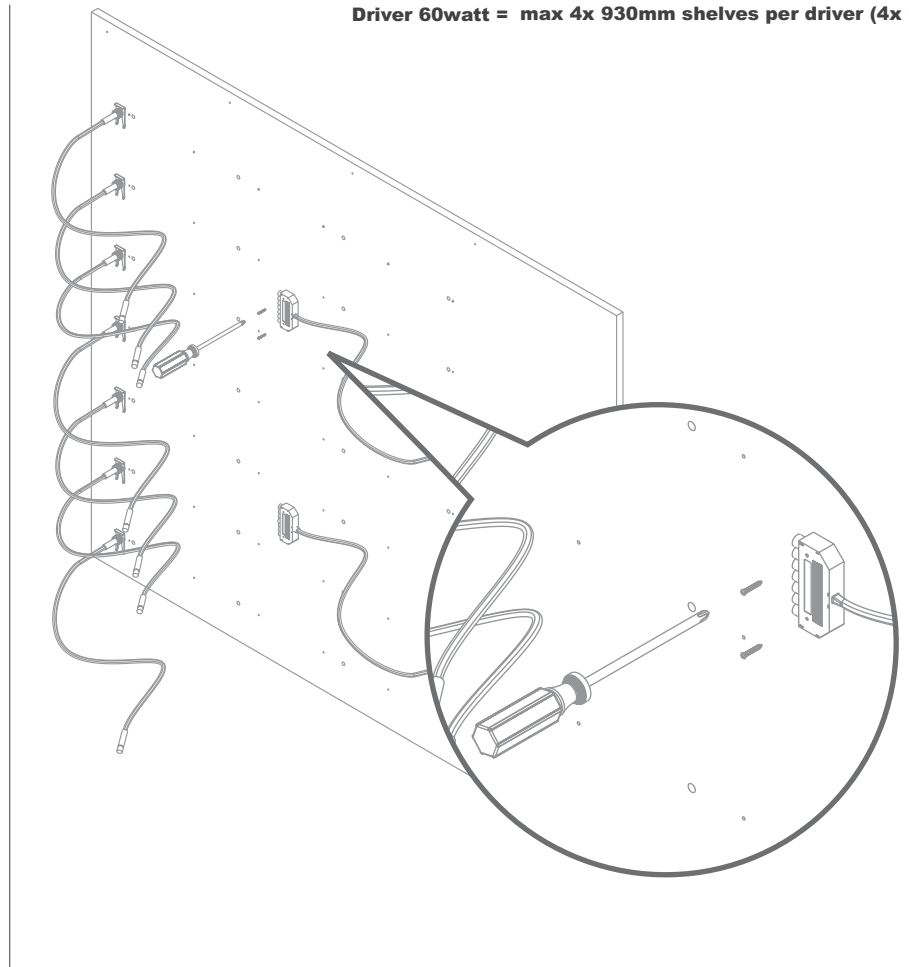
24392



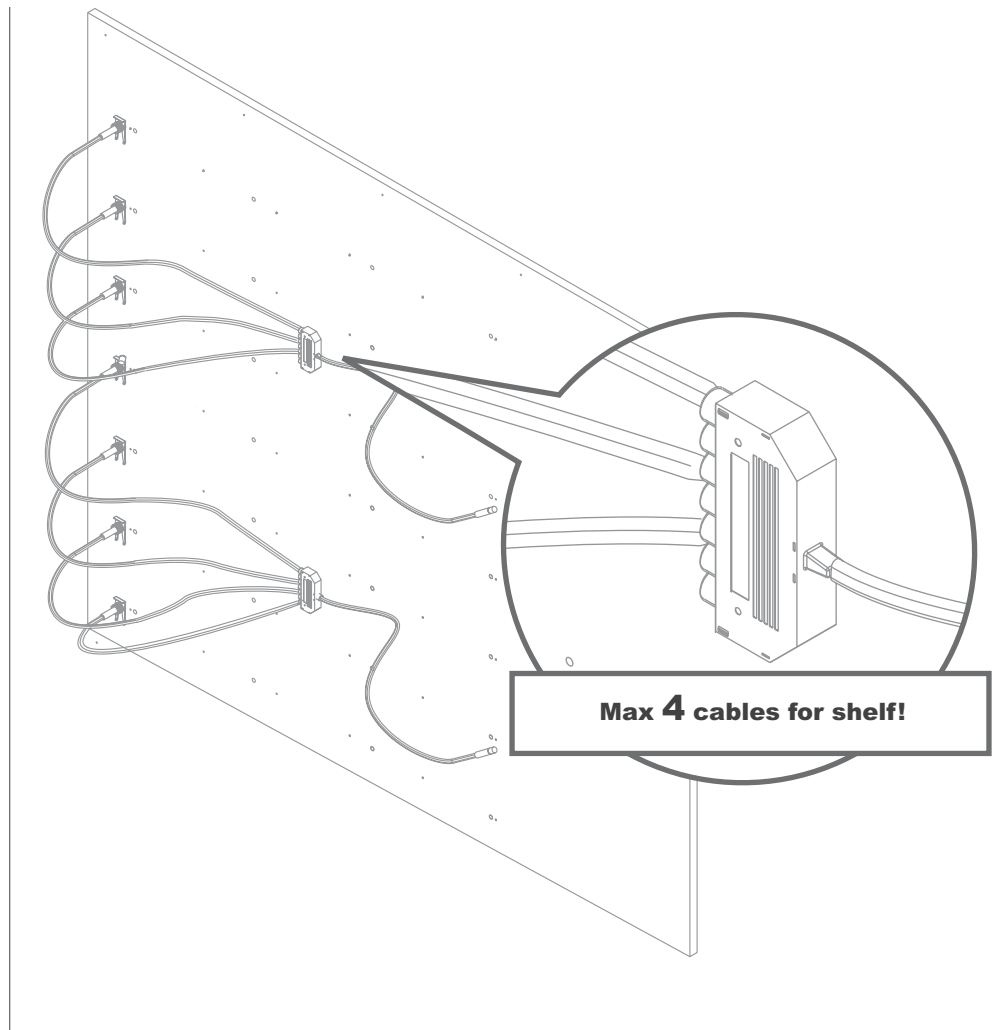
4



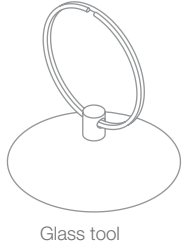
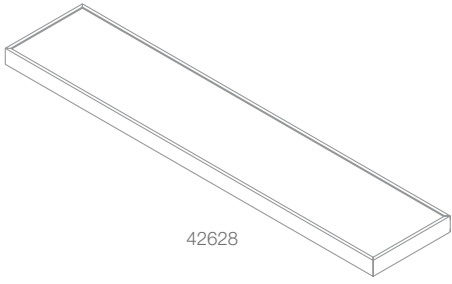
Driver 60watt = max 4x 930mm shelves per driver (4x 14watt)



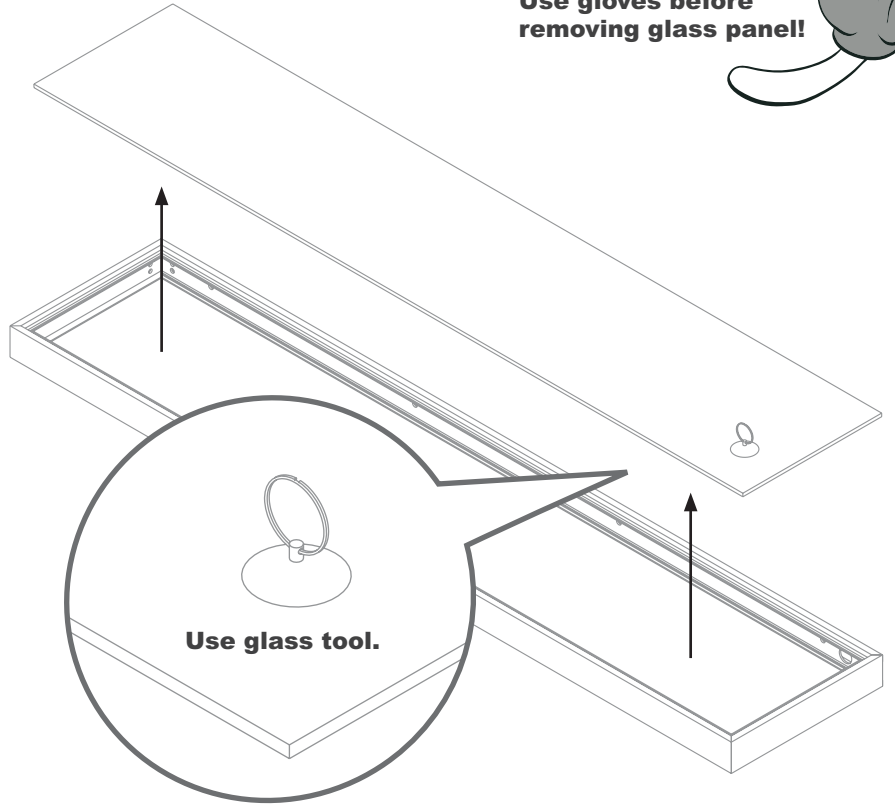
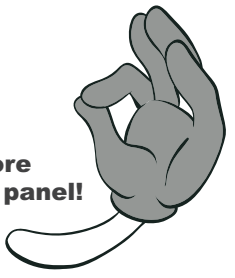
5



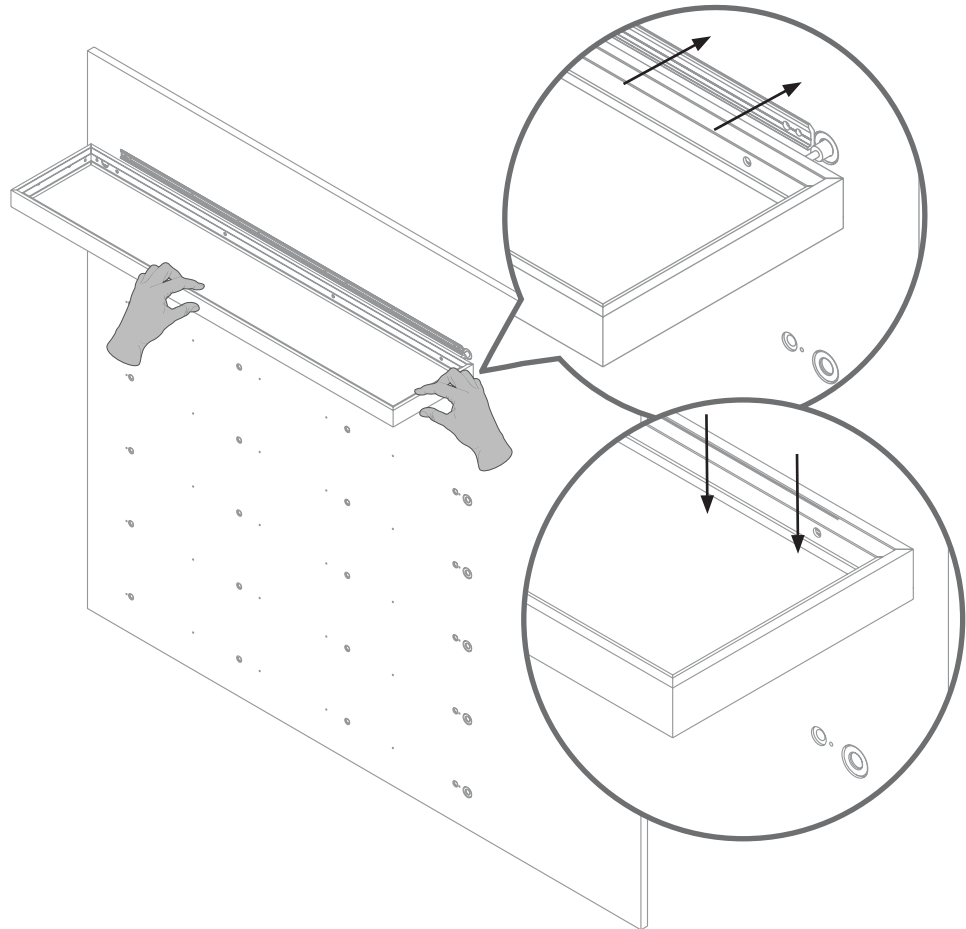
6



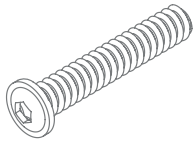
NOTE:
Use gloves before
removing glass panel!



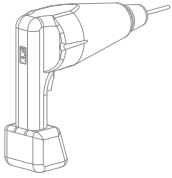
7



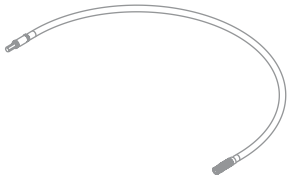
8



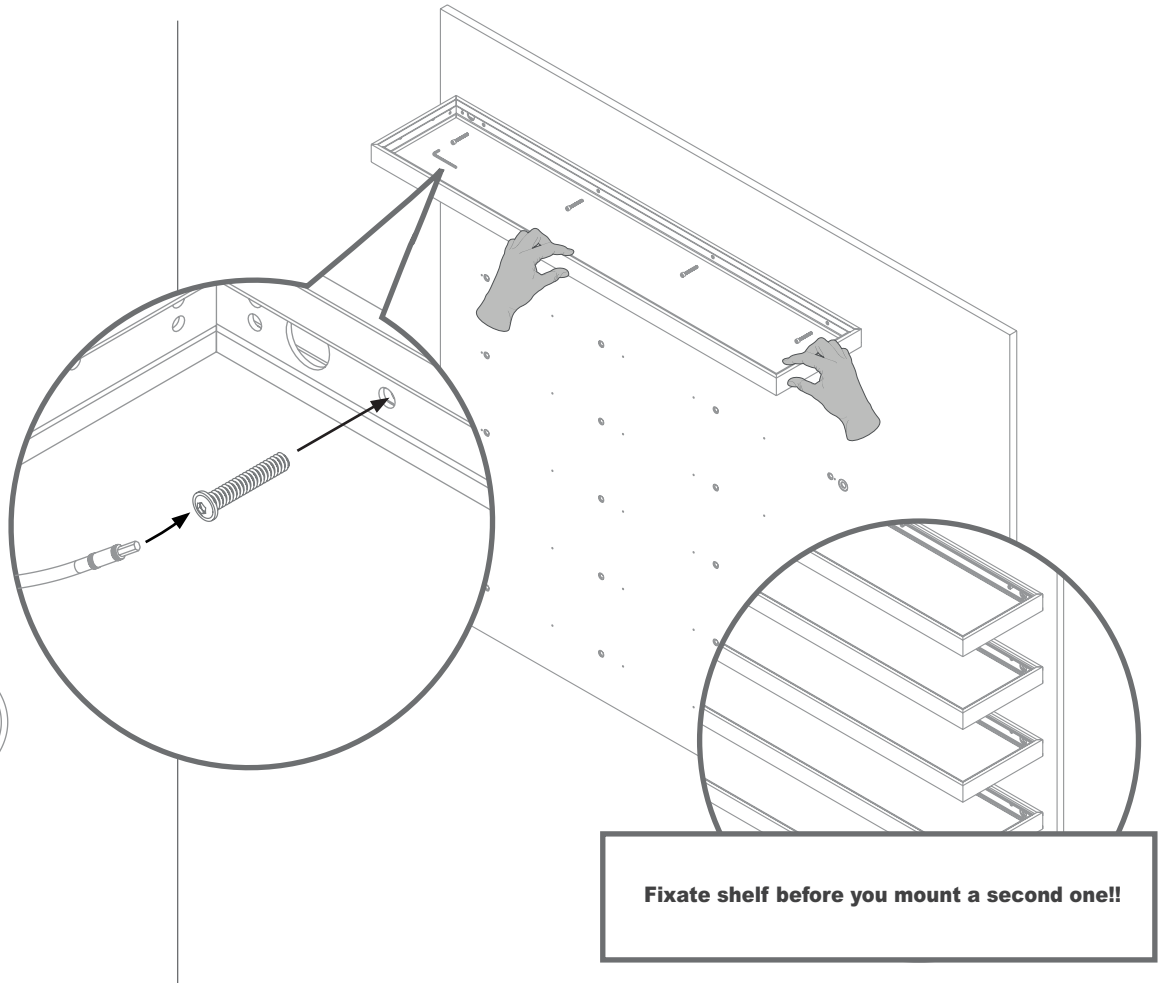
73922
M5x20
4x



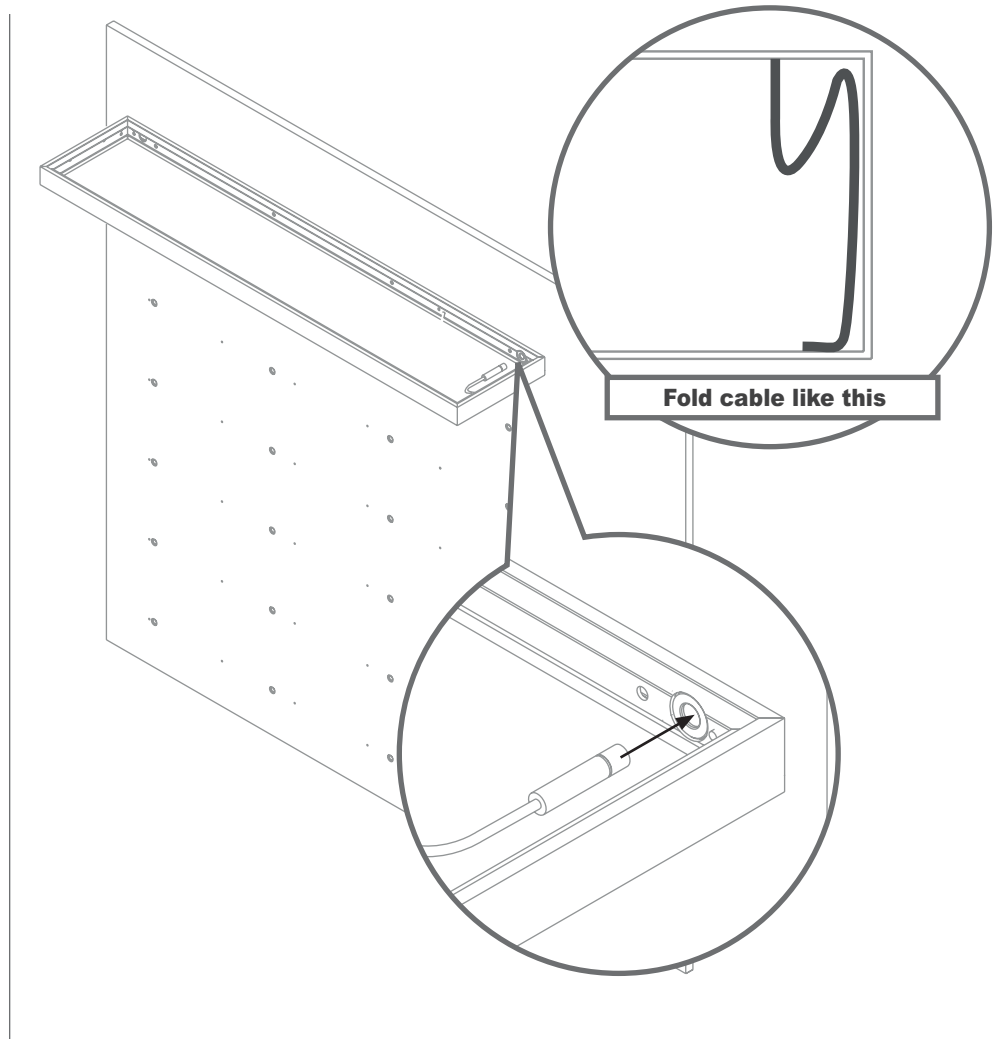
Screwdriver



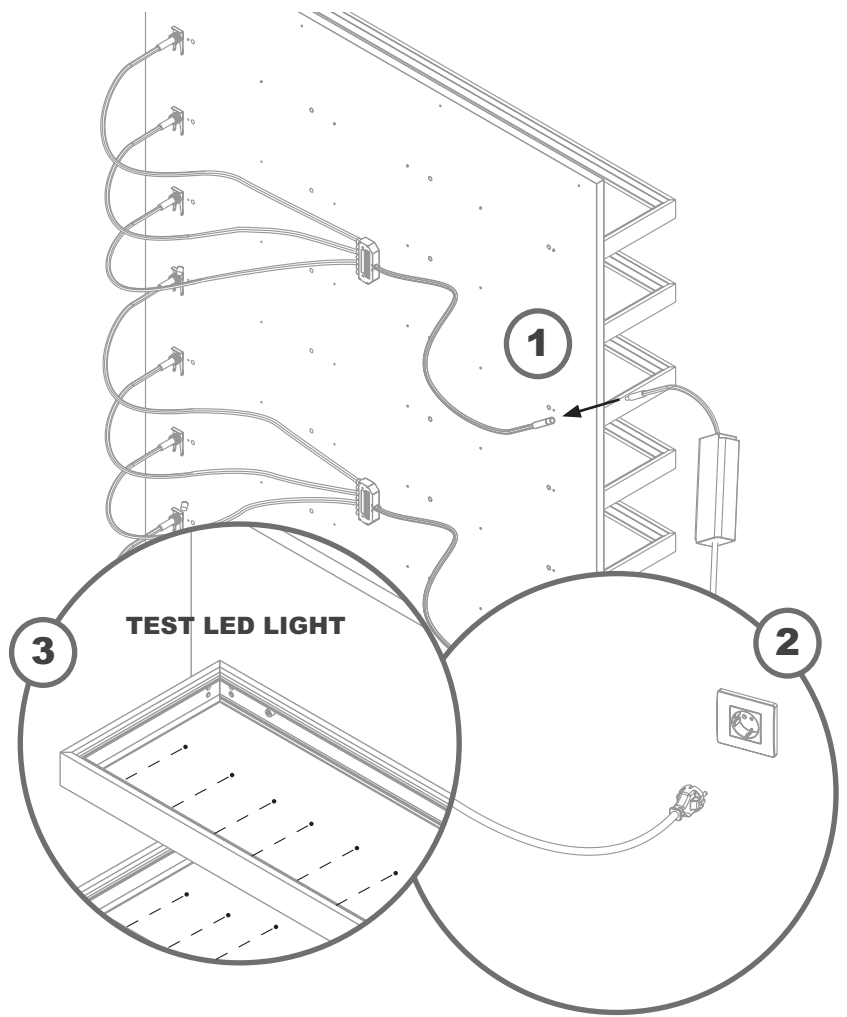
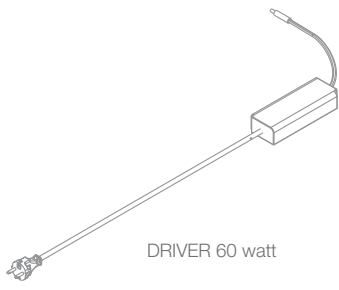
Flexible bitholder
Hex #3



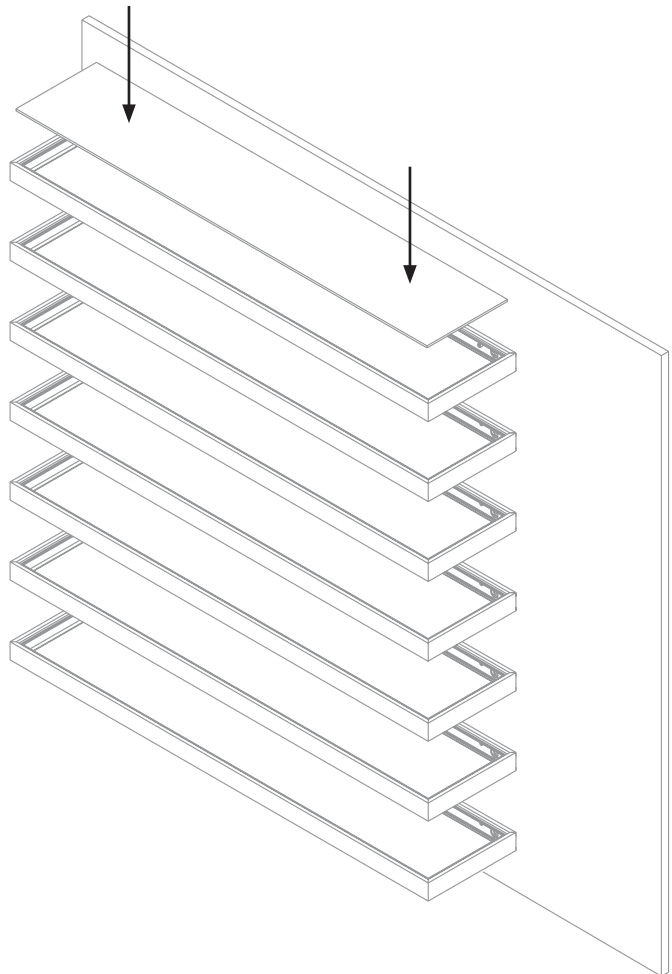
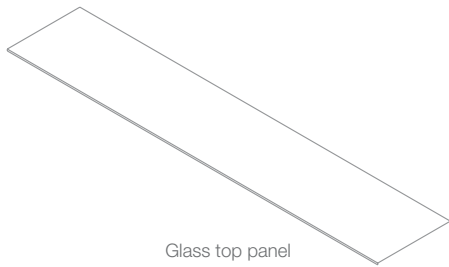
9



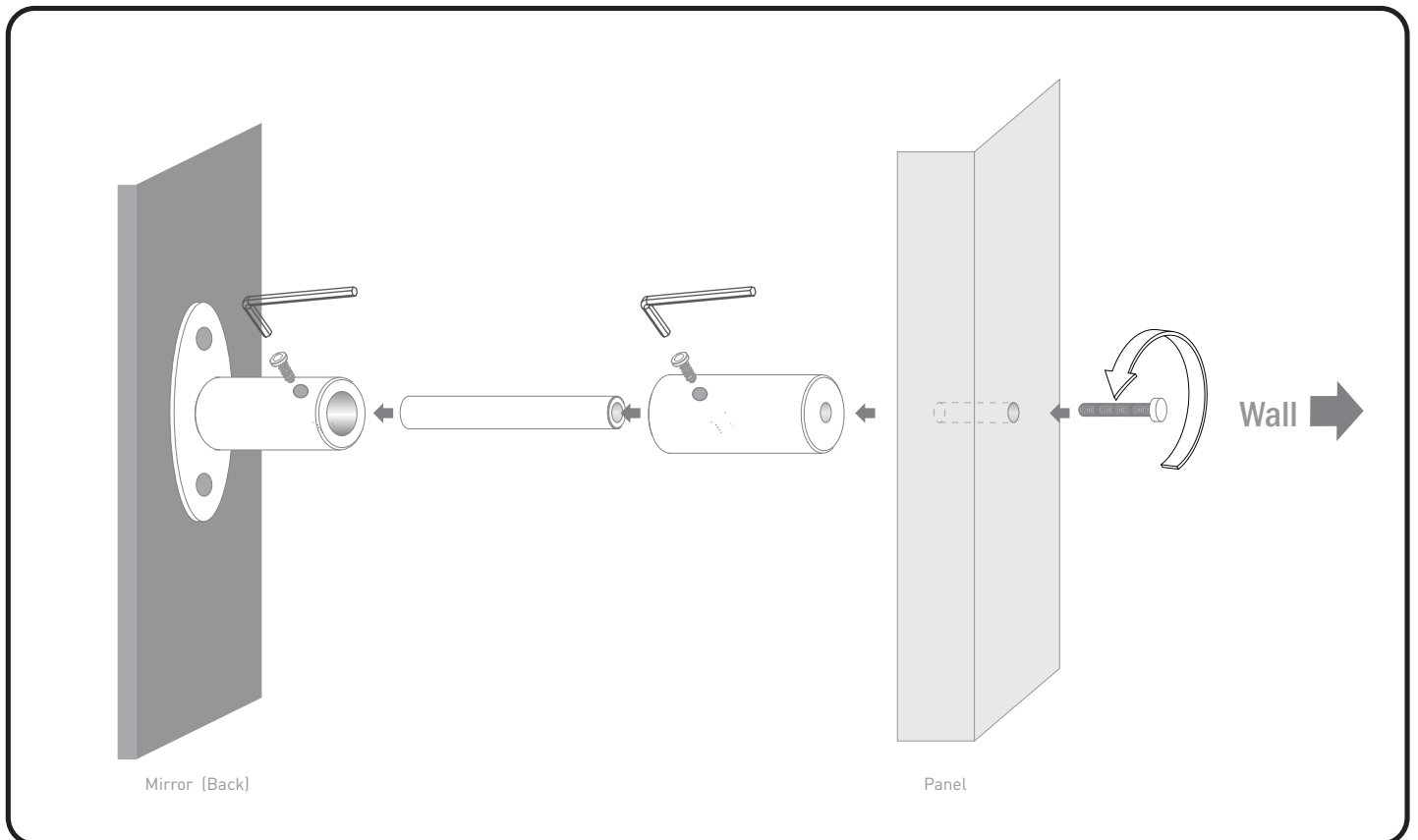
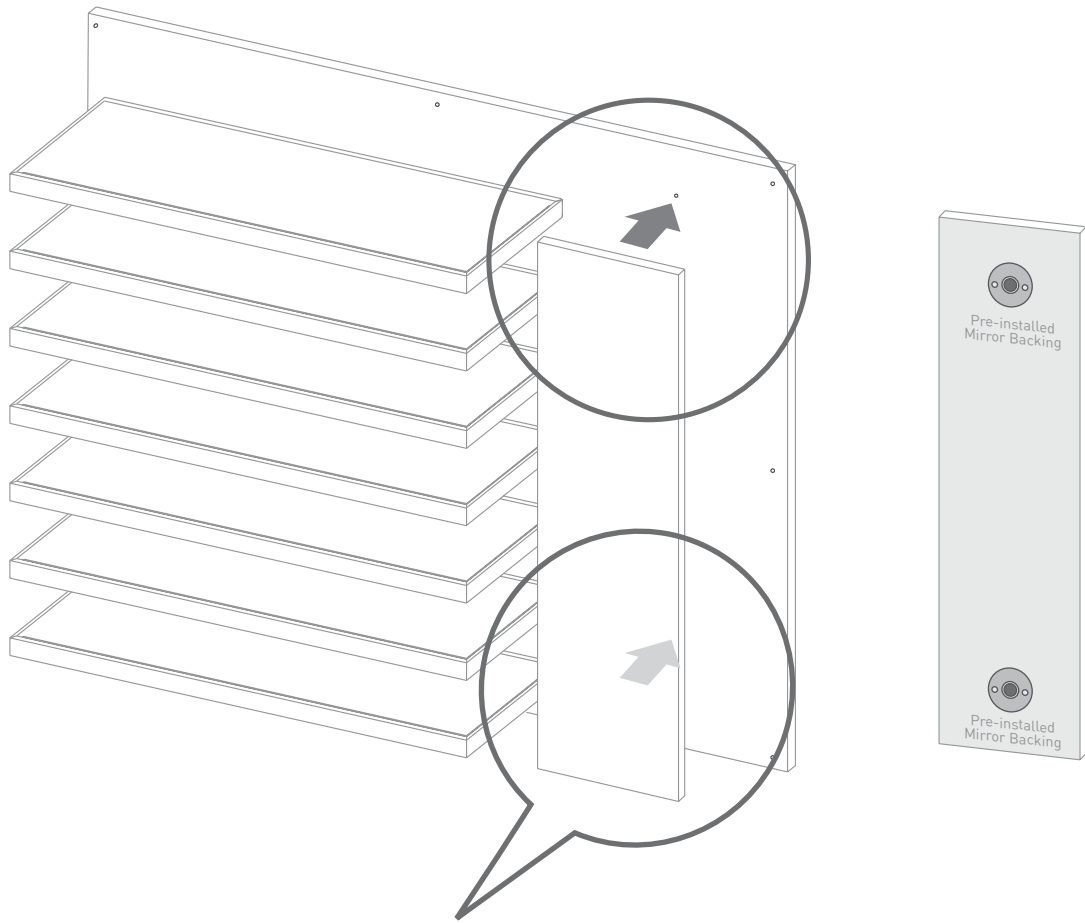
10



11



MIRROR



PANEL WALL MOUNTING

1 Install the standoffs on the marked spots on the wall

