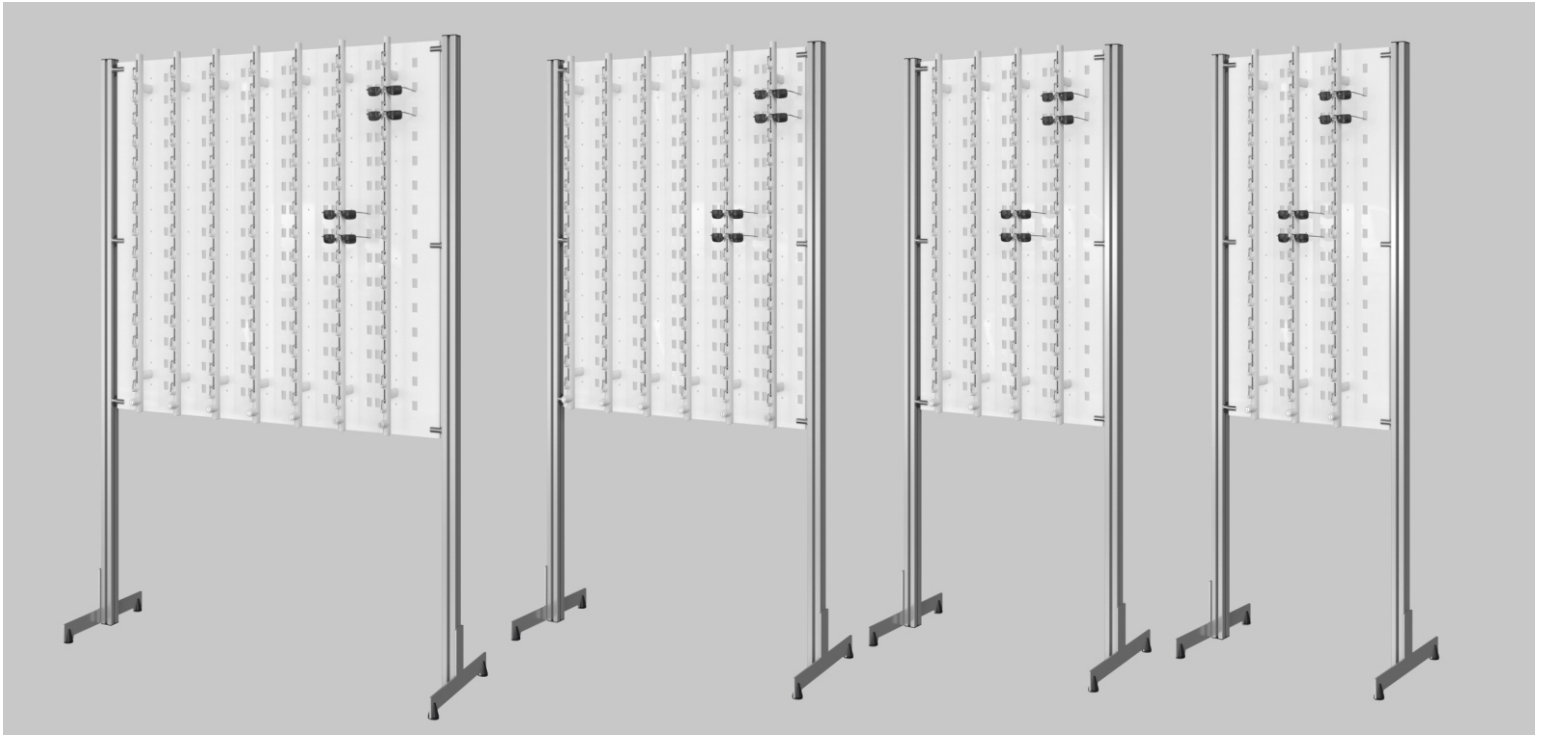




SCAN FOR VIDEO INSTRUCTIONS



FT.DWL.105_Lockable

FT.DWL.90_Lockable

FT.DWL.60_Lockable

FT.DWL.45_Lockable

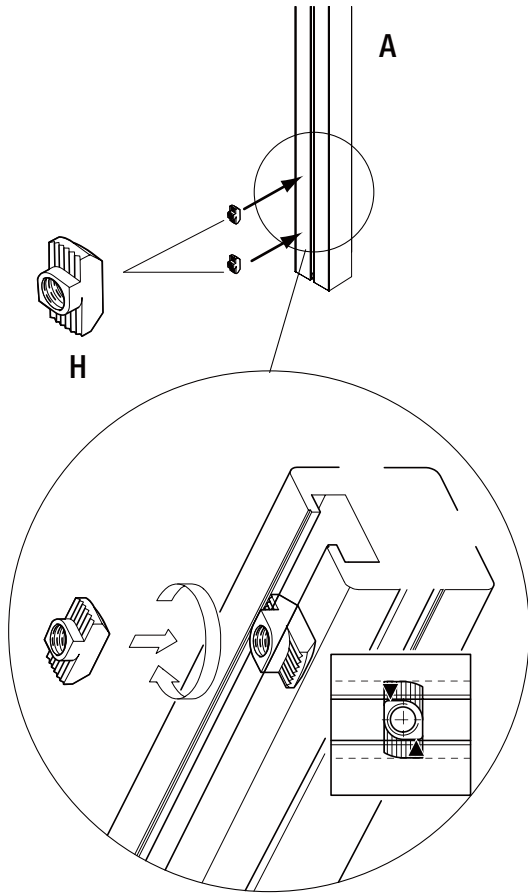
A 2x	B 2x	
C 1x	D 7x	
E 6x	F 6x	G 6x
H 4x	I 70121 55mm 14x	J 95068 3.9x38mm 28x
K 95012 M4 x 25mm 14x	L 70082 14x	M 95090 M4 x 8mm 14x

A 2x	B 2x	
C 1x	D 6x	
E 6x	F 6x	G 6x
H 4x	I 70121 55mm 12x	J 95068 3.9x38mm 24x
K 95012 M4 x 25mm 12x	L 70082 12x	M 95090 M4 x 8mm 12x

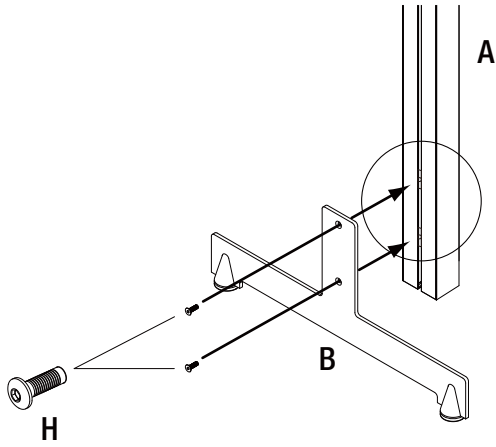
A 2x	B 2x	
C 1x	D 4x	
E 6x	F 6x	G 6x
H 4x	I 70121 55mm 8x	J 95068 3.9x38mm 16x
K 95012 M4 x 25mm 8x	L 70082 8x	M 95090 M4 x 8mm 8x

A 2x	B 2x	
C 1x	D 3x	
E 6x	F 6x	G 6x
H 4x	I 70121 55mm 6x	J 95068 3.9x38mm 12x
K 95012 M4 x 25mm 6x	L 70082 6x	M 95090 M4 x 8mm 6x

1



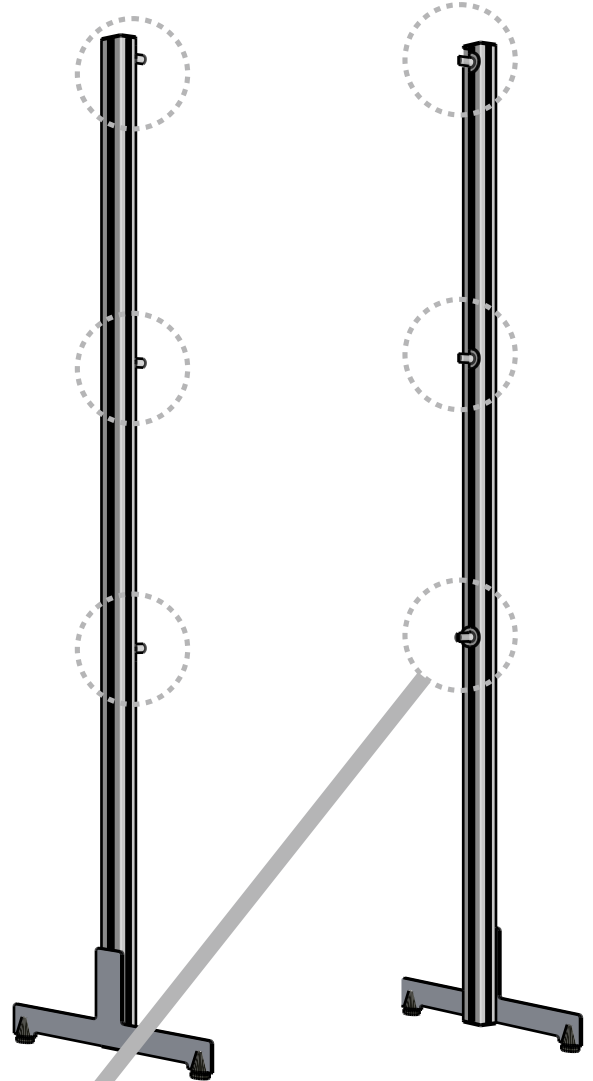
2



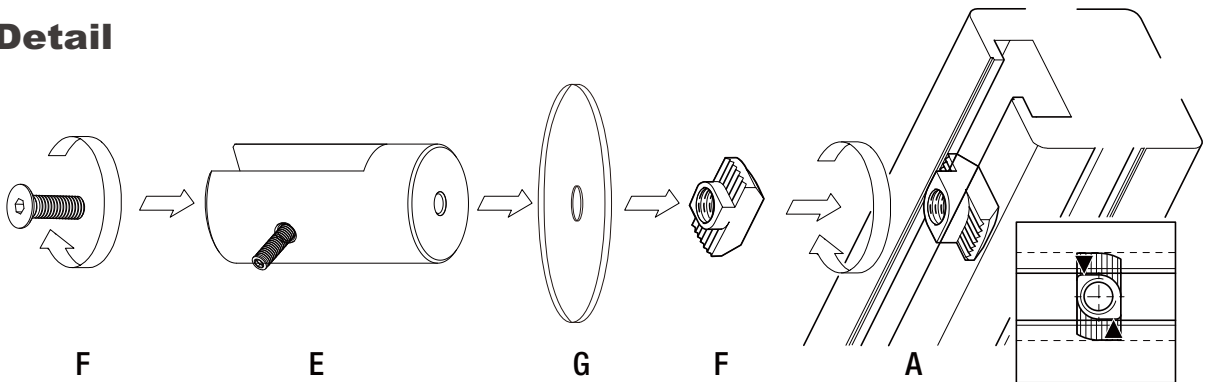
3



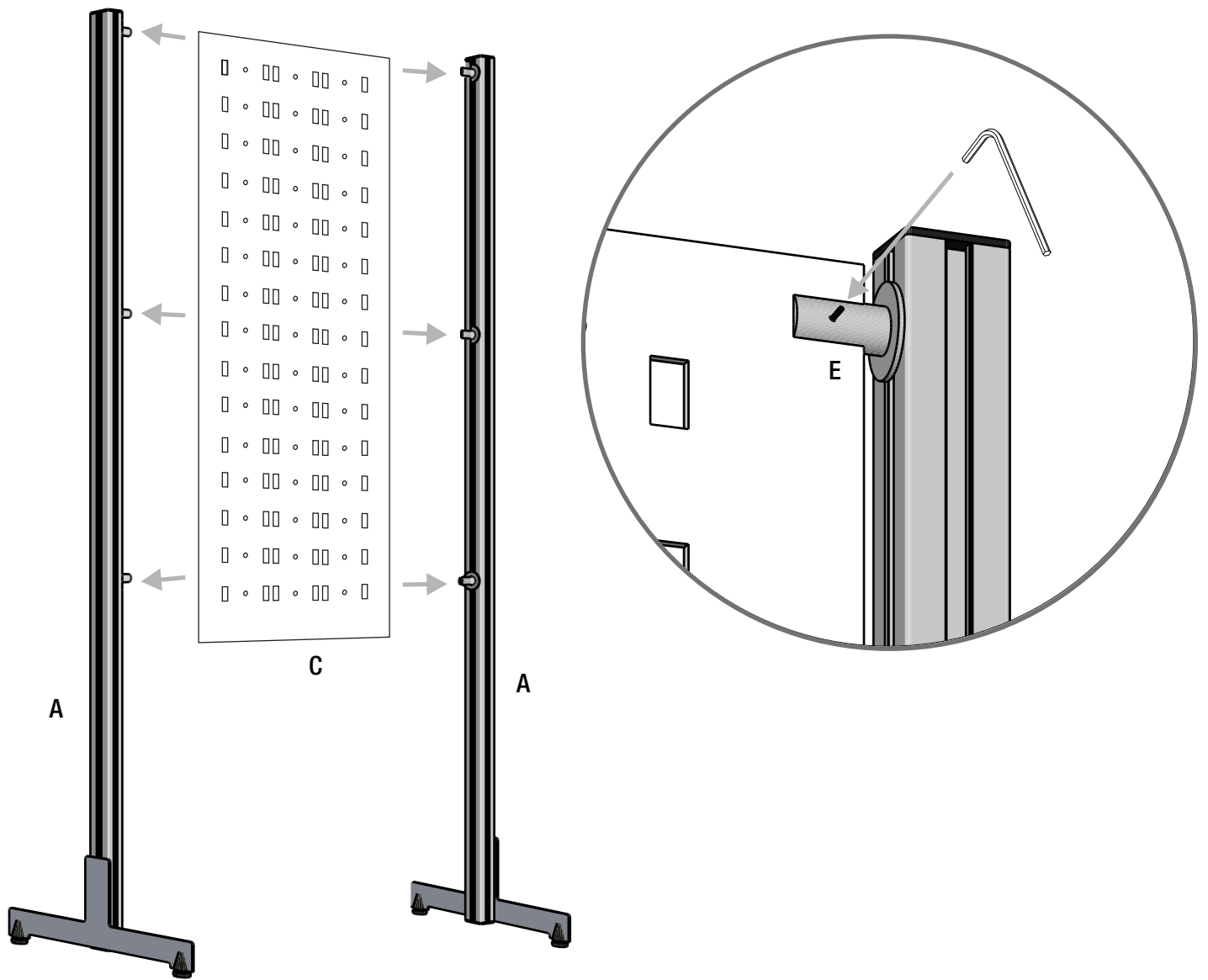
SCAN FOR VIDEO INSTRUCTIONS



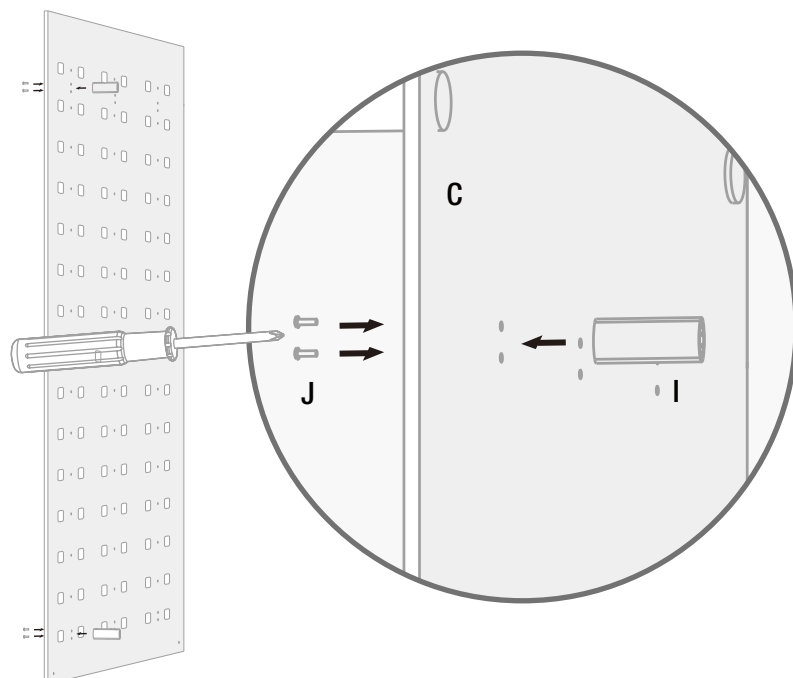
3 Detail



4

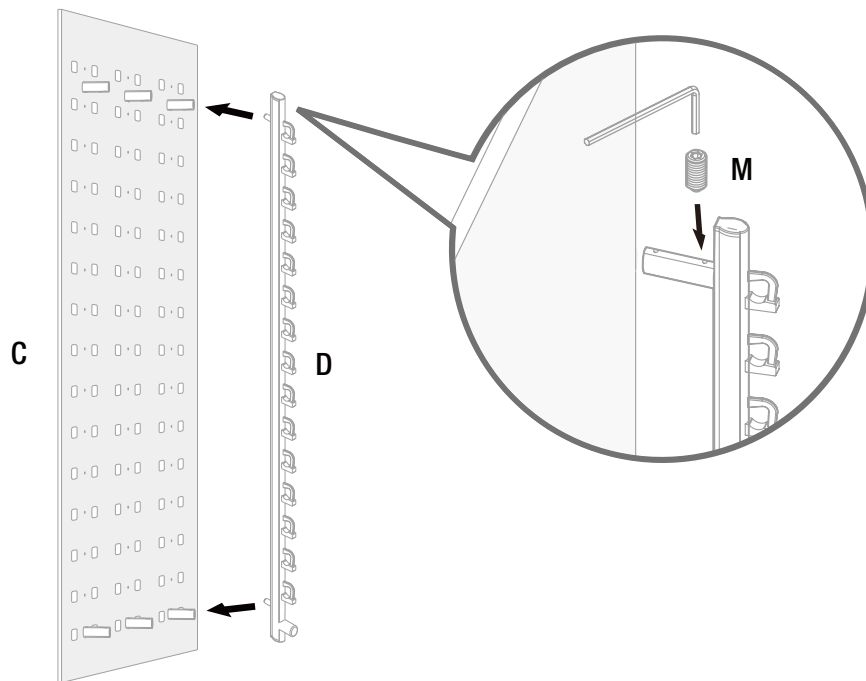
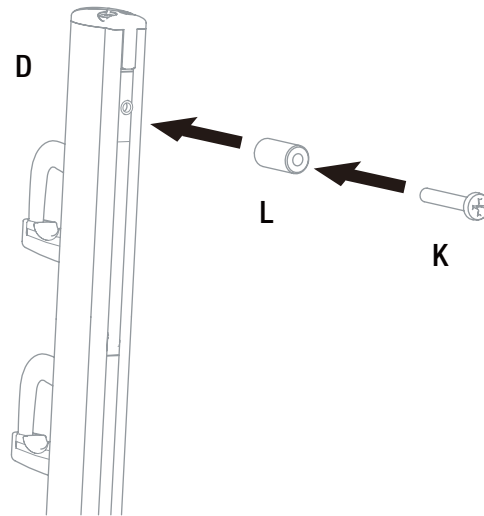


5 Install the rod mountings to the panels





SCAN FOR VIDEO INSTRUCTIONS



Key

