

SCAN FOR VIDEO INSTRUCTIONS



SCAN FOR VIDEO INSTRUCTIONS

## INDEX OF USER MANUAL

---

- P2: Safety instructions
- P3: Contents
- P4: Assembly instructions

## SAFETY INSTRUCTIONS: LED SHELVES

---

### IMPORTANT SAFETY INSTRUCTIONS

Before using an electrical unit, basic precautions should always be followed, including the following:

**DANGER** - To reduce the risk of electric shock:

1. This SECURE DISPLAY SYSTEM contains electronic components.  
Do not open these without a qualified electrician.

**WARNING** - To reduce the risk of burns, fire, electric shock, or injury to persons:

1. Close supervision is necessary when this unit is used by, or near children, invalids, or disabled persons.
2. Use this unit only for its intended use as described in this manual.  
Do not use attachments not recommended by the manufacturer.
3. Never operate this unit if it has a damaged cord or plug, if it is not working properly, if it has been dropped or damaged, or dropped into water. Return the product to a service center for examination and repair.
4. Never drop or insert any object into any opening other than the intended use of presenting sunglasses.
5. Do not use outdoors / for indoor use only!

**MAINTENANCE INSTRUCTIONS** - Instructions for cleaning and user maintenance operations:

1. The exterior of a SECURE DISPLAY SYSTEM may only be cleaned with a non-static brush.
2. The SECURE DISPLAY SYSTEM has no user serviceable parts. All malfunctioning or damaged components are to be replaced by a service representative duly authorized by Frame Displays.

### INTENDED USE

1. The intended use of the Secure Display System is to display eyewear frames and sunglasses.
2. This product is for commercial use only.

#### WATTAGE PER SHELF

530MM = 9 WATT

930MM = 12,6 WATT

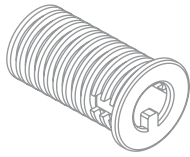
#### MAX WEIGHT PER SHELF

2KG - 4.4lb

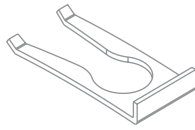
# PACKAGING CONTENT



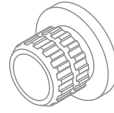
SCAN FOR VIDEO INSTRUCTIONS



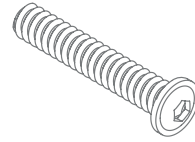
24391A  
Plug  
1x per shelf



24391B  
Clicker  
1x per shelf



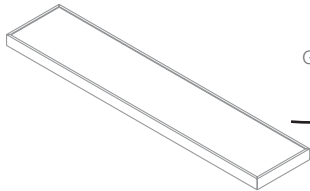
M4 Rivet Nut  
7x for each 530mm shelf  
10x for each 930mm shelf



M4 x 15mm button head screw  
7x for each 530mm shelf  
10x for each 930mm shelf

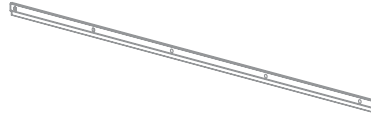


Small washer  
3x for each 530mm shelf  
4x for each 930mm shelf



42627 = Shelf 530 - 7 watt  
530x195x35mm  
42628 = Shelf 930 - 14 watt  
930x195x35mm

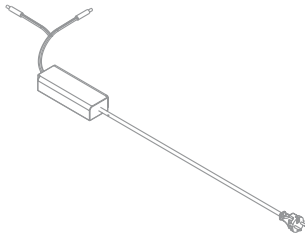
**Note!**  
Glass shelf is not fixed



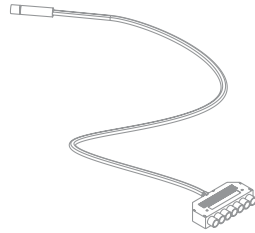
Rail  
430mm / 830mm



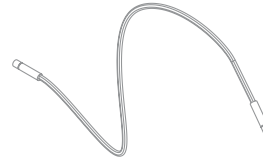
Allen key



90 W Transformer  
1x for every 7 shelves



24379  
2x for every 7 shelves



24392  
Extension cord - 150cm  
1x per shelf



Glass tool



Safety gloves

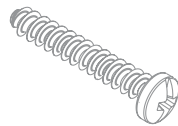
## DISCARD HARDWARE NOT USED FOR ACRYLIC PANEL MOUNT



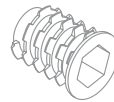
95102  
M5  
Shelf 530 = 3x  
Shelf 930 = 4x



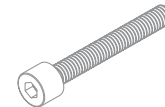
95071  
3,9x13  
2x



3,9x30mm  
Shelf 530 = 4x  
Shelf 930 = 6x



95046  
M5  
Shelf 530 = 3x  
Shelf 930 = 4x

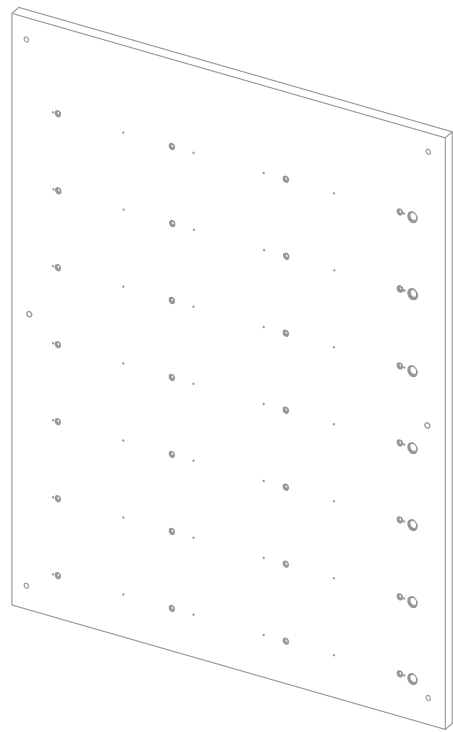


73922  
M4x20  
Shelf 530 = 3x  
Shelf 930 = 4x

PANEL

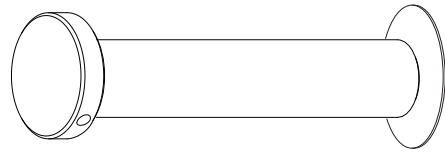


SCAN FOR VIDEO INSTRUCTIONS



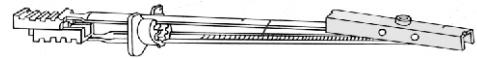
Side Panel  
(2)

Standoff (#13.15.20.85)

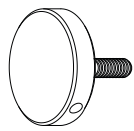


(8)

Toggle Bolt



(6)



Standoff Cap  
13.15.20.85-CAP



Upper Inside Threaded Barrel  
13.15.20.85-BAR



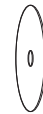
Standoff Cylinder  
13.15.20.85-CYL



Standoff Screw  
13.15.20.85-SCR



Lower Inside Threaded Barrel  
13.15.20.85-BAR



Standoff Washer  
13.15.20.85-WSH



Toggle Bolt

(6)



13.15.20.85-CAP



13.15.20-SIDE

(6)

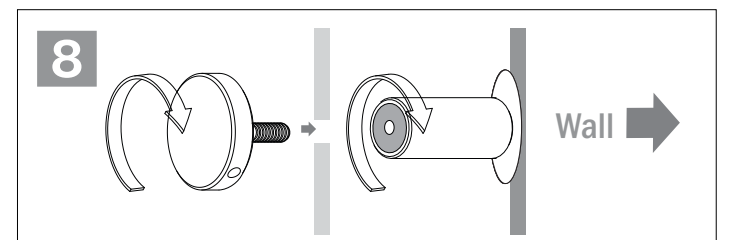
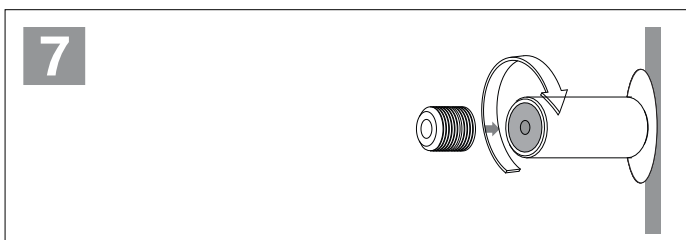
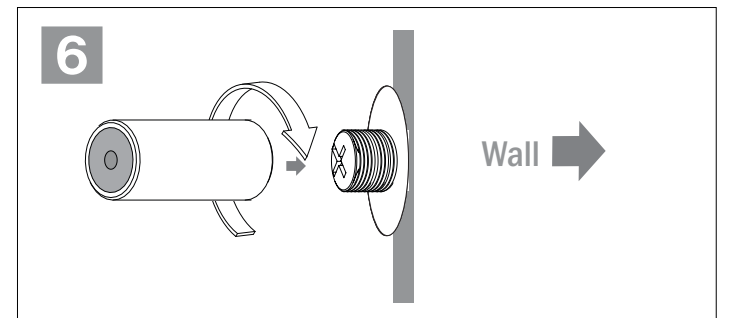
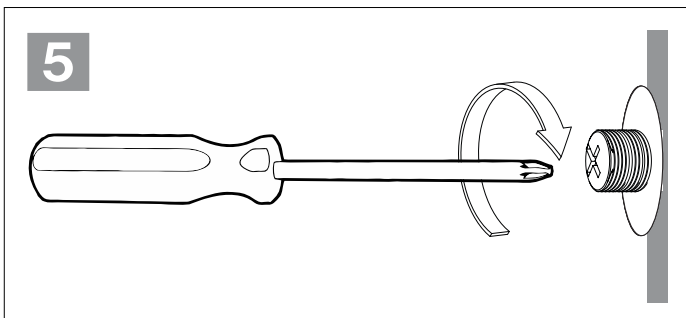
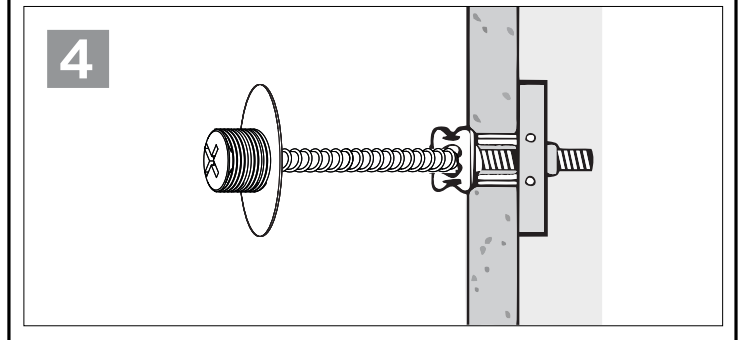
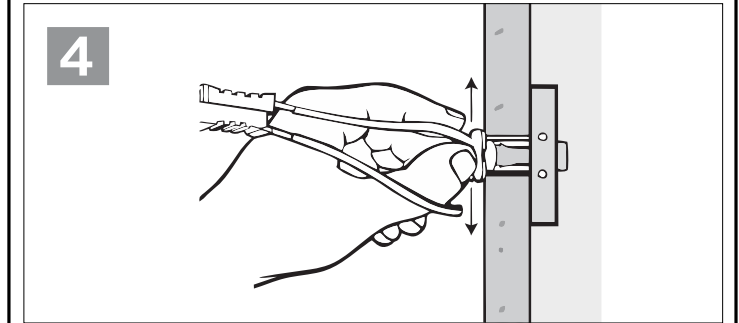
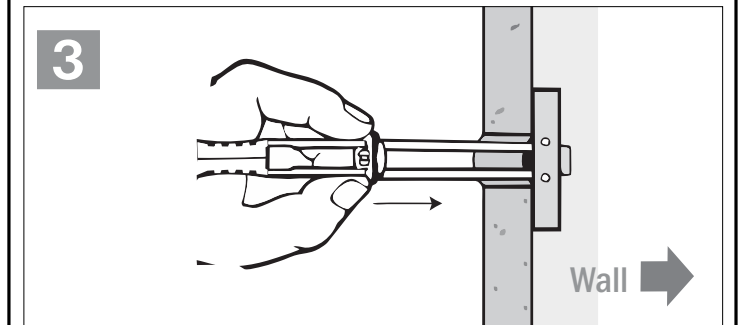
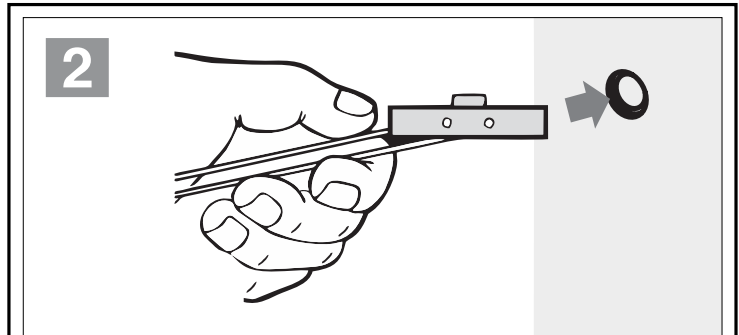
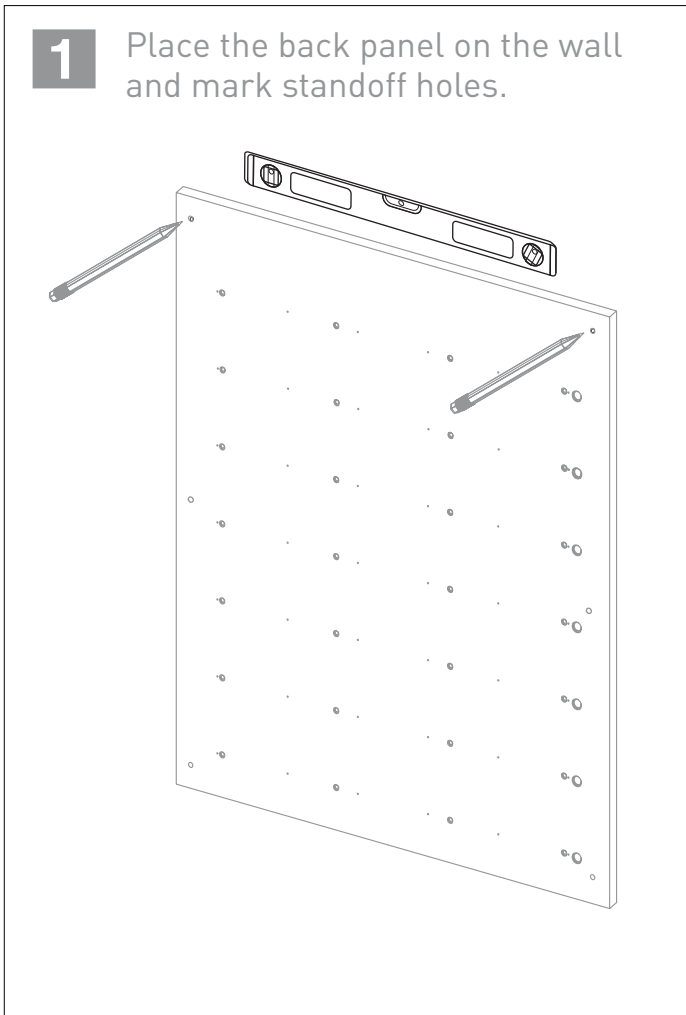


SCAN FOR VIDEO INSTRUCTIONS

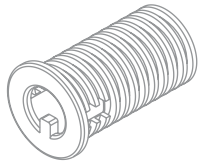
# PANEL WALL MOUNTING



**1** Install the standoffs on the marked spots on the wall - mount acrylic panel as the last step



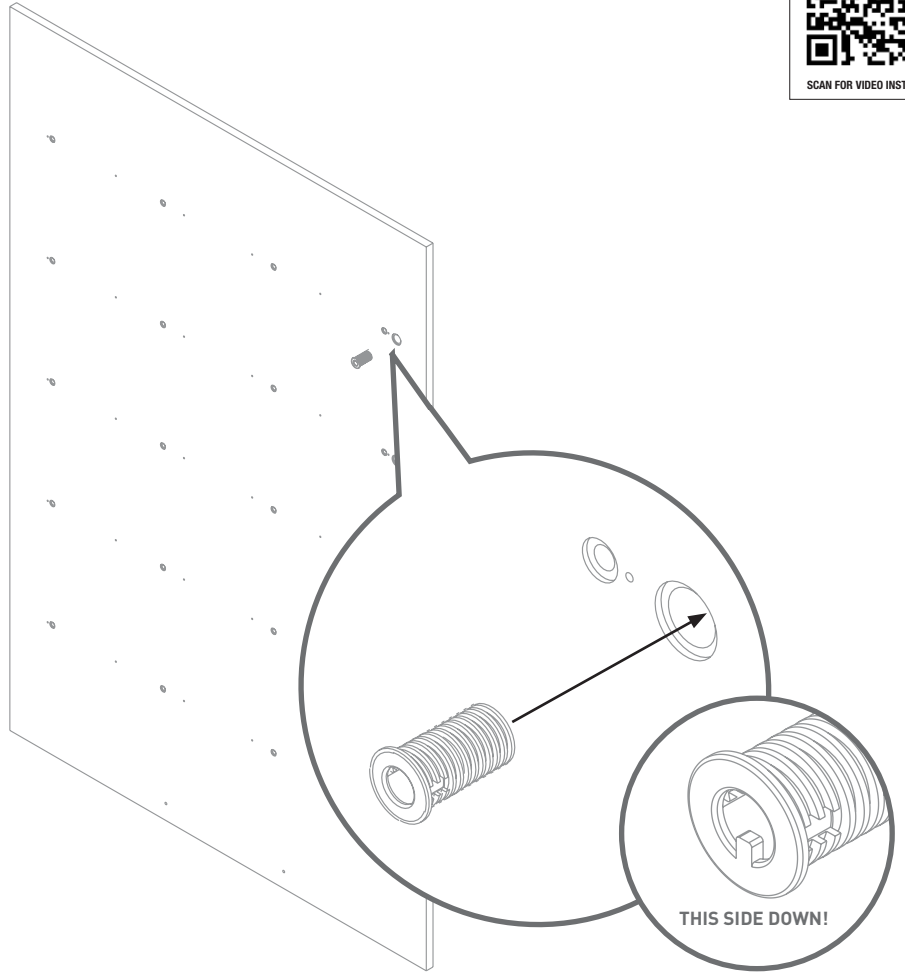
2



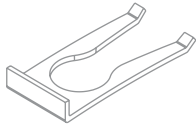
24391  
Plug  
1x



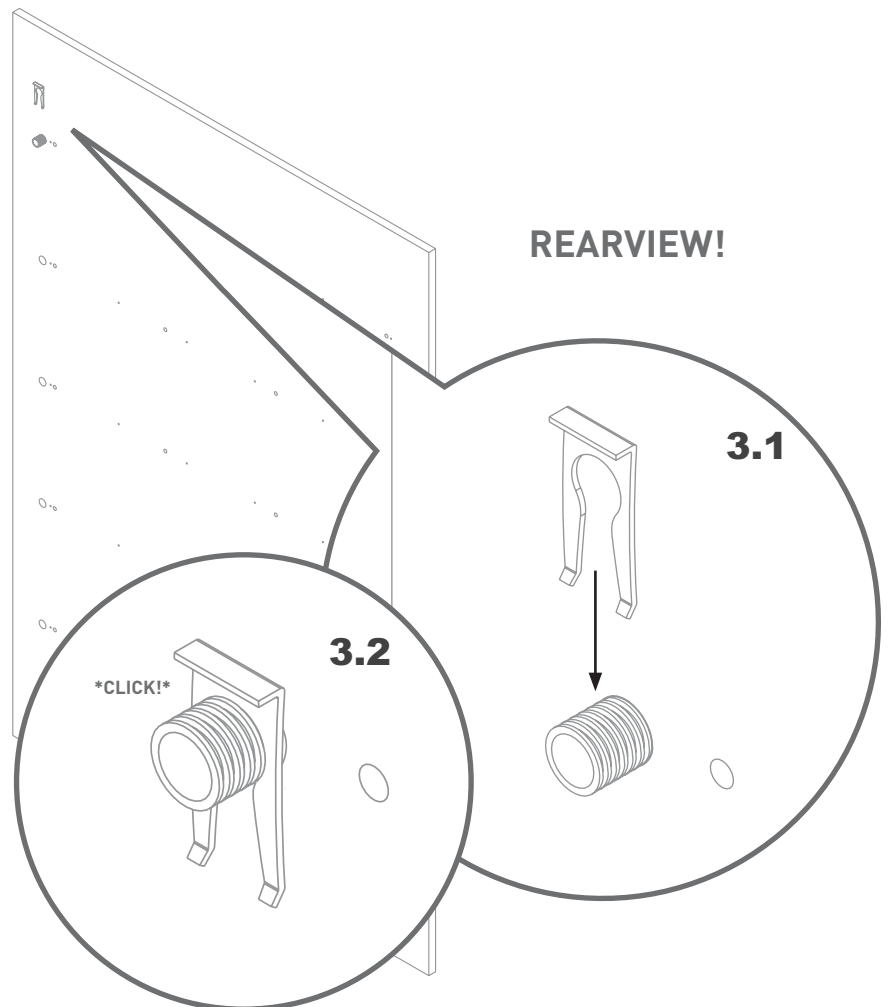
SCAN FOR VIDEO INSTRUCTIONS



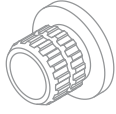
3



24391  
Clicker  
1x



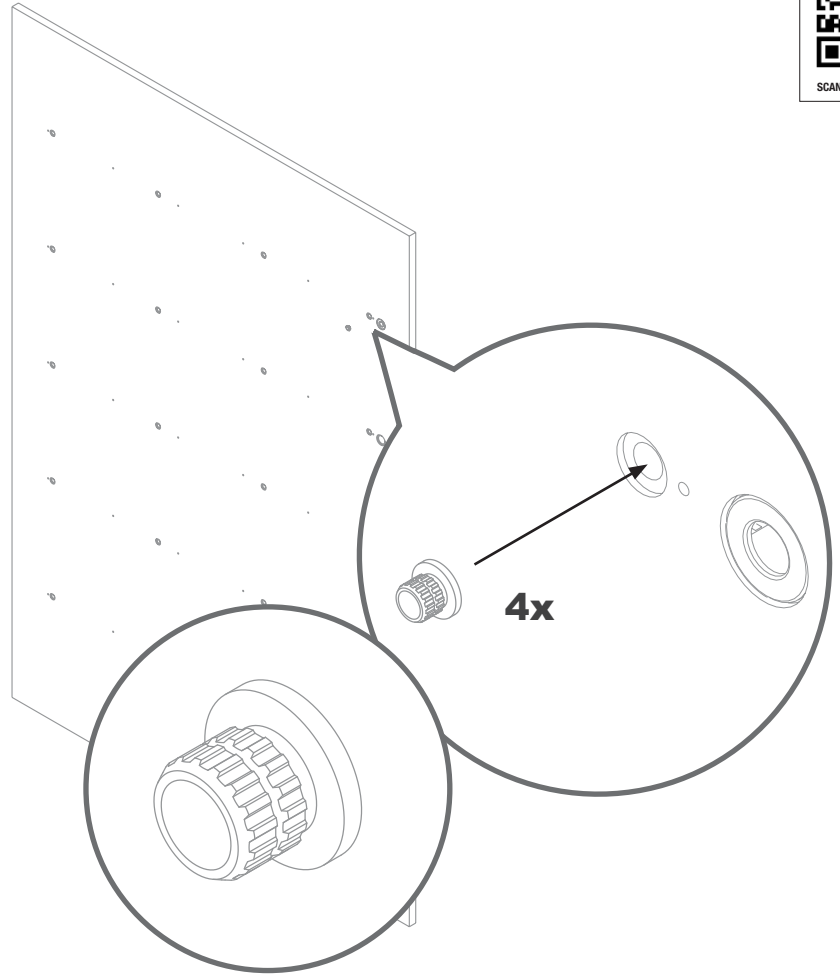
4



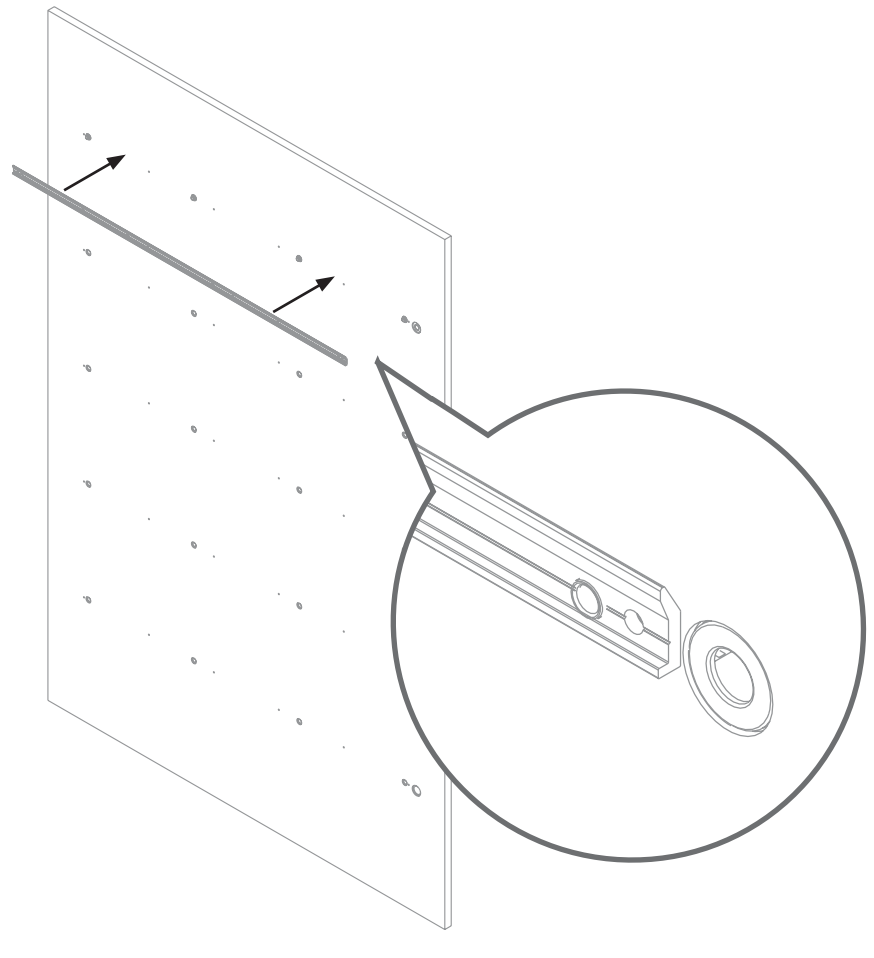
M4 Rivet Nut  
3x for each 530mm shelf  
4x for each 930mm shelf



SCAN FOR VIDEO INSTRUCTIONS



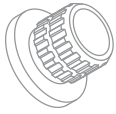
5



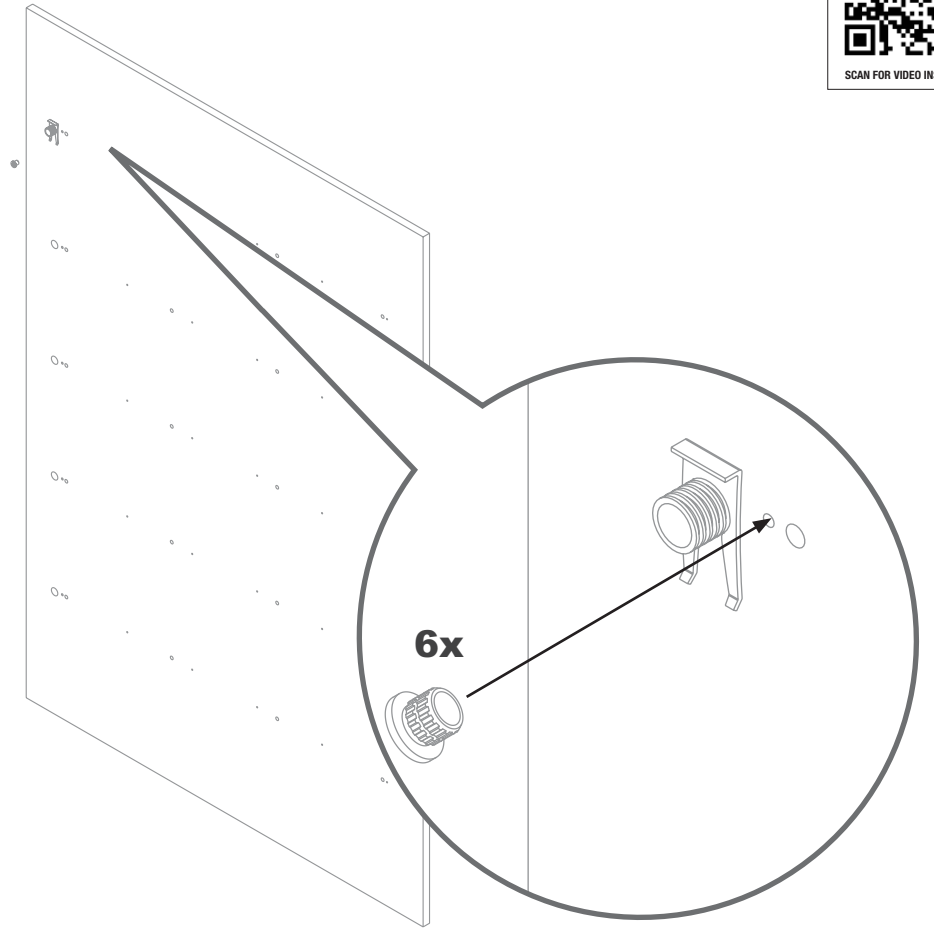


SCAN FOR VIDEO INSTRUCTIONS

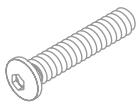
**6**



M4 Rivet Nut  
4x for each 530mm shelf  
6x for each 930mm shelf



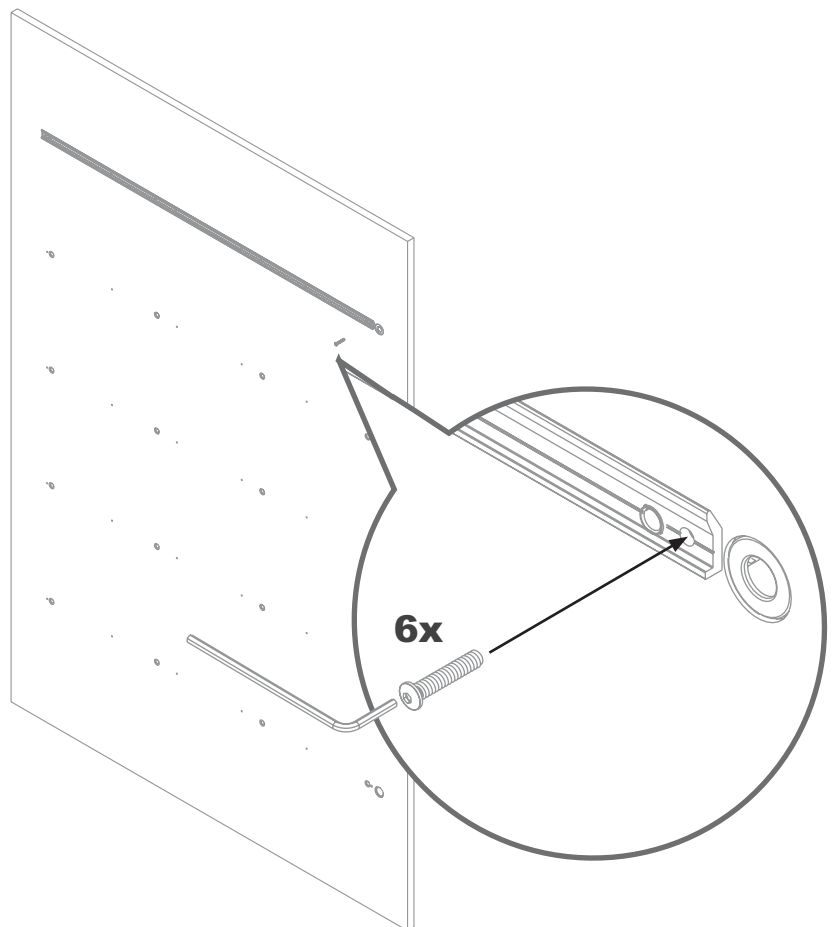
**7**



M4 x 15mm Button Head Screw  
4x for 530mm Shelf  
6x for 930mm Shelf



Allen Key

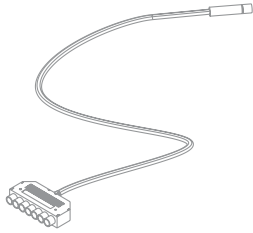




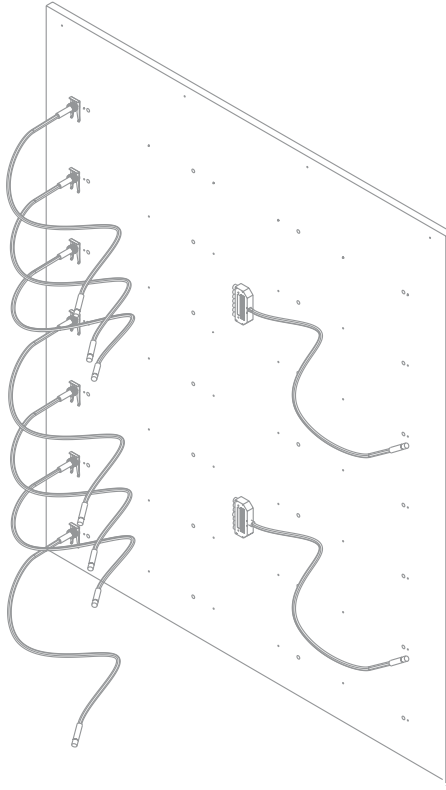
8



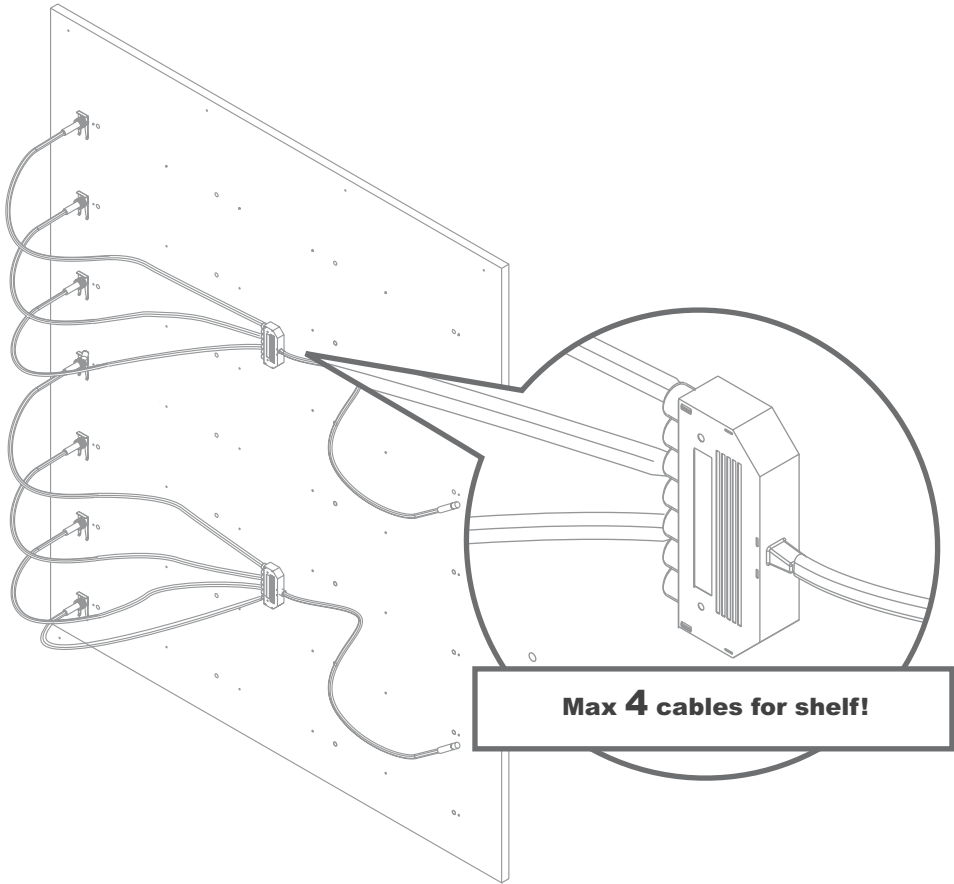
SCAN FOR VIDEO INSTRUCTIONS



24379



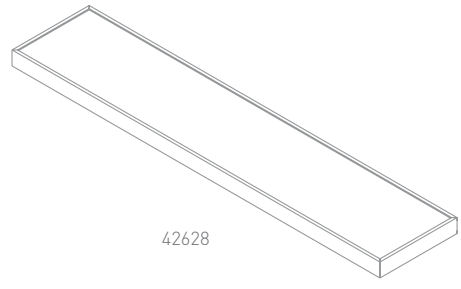
9



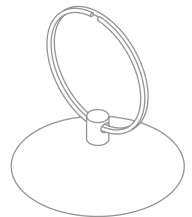


SCAN FOR VIDEO INSTRUCTIONS

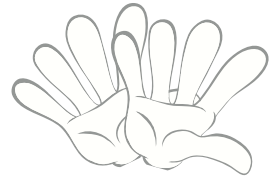
# 10



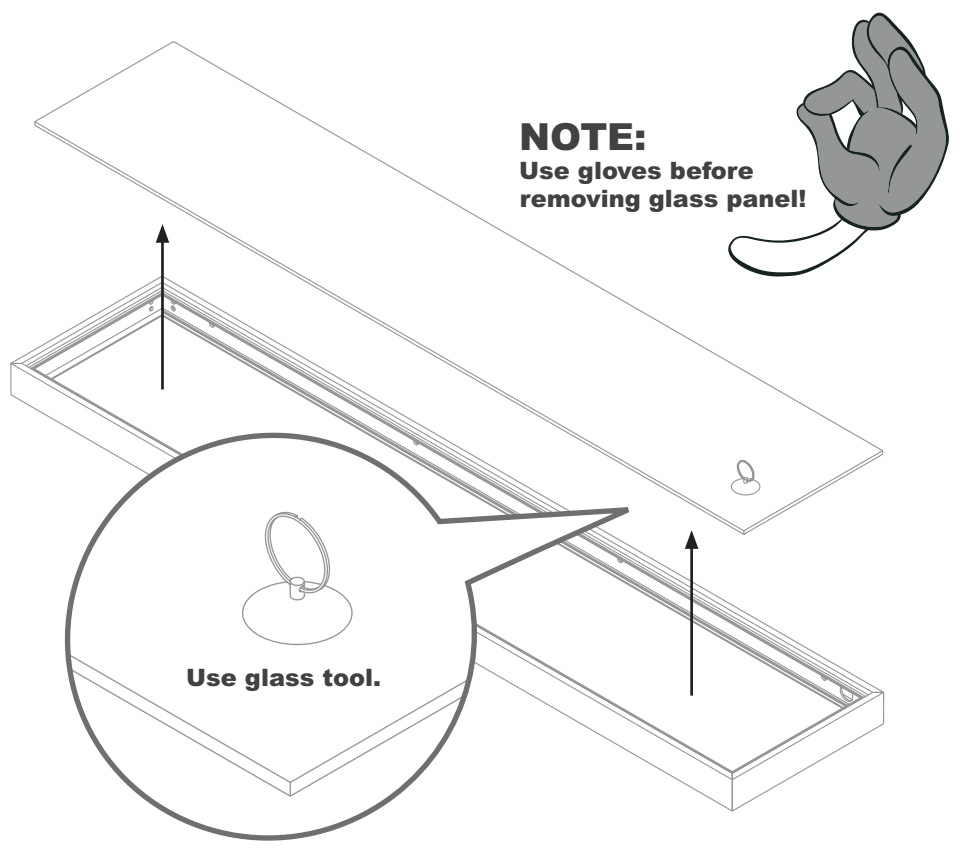
42628



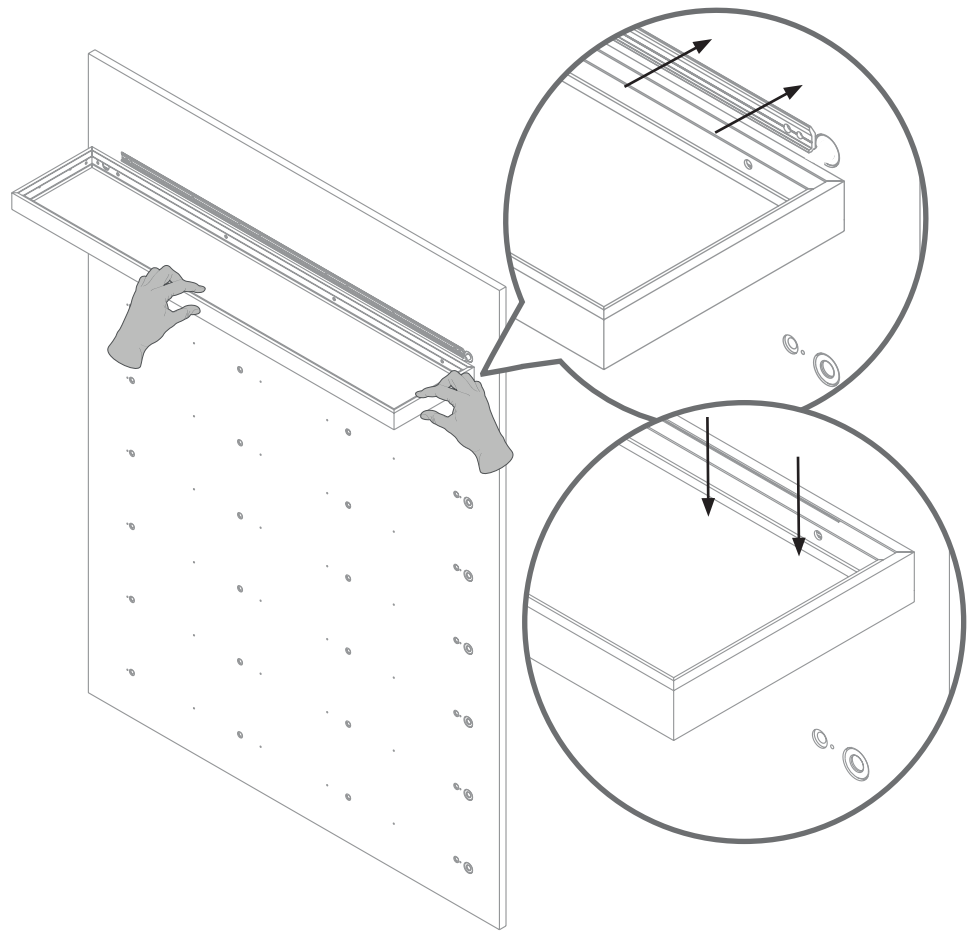
Glass tool



Use gloves!!!



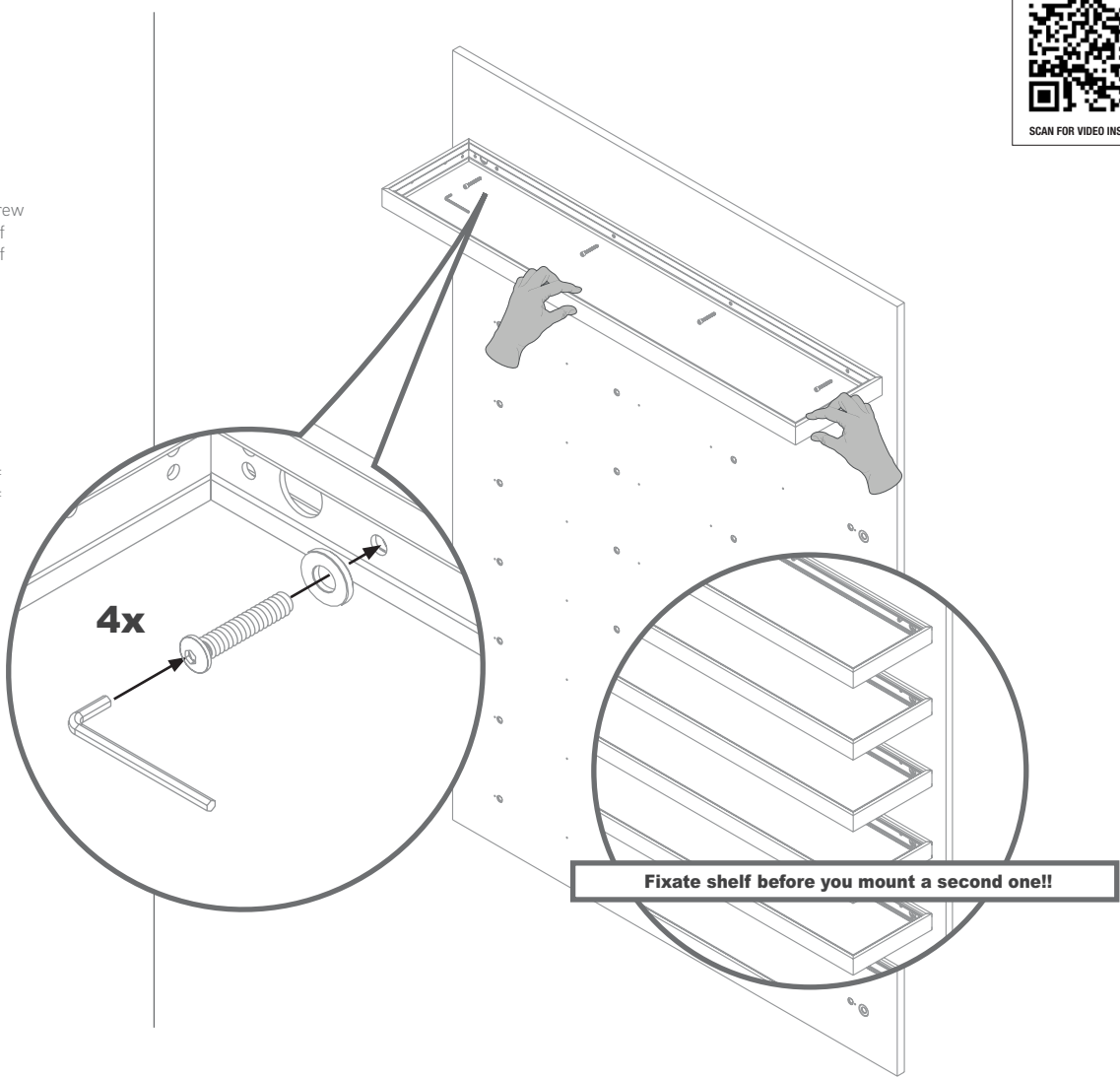
# 11



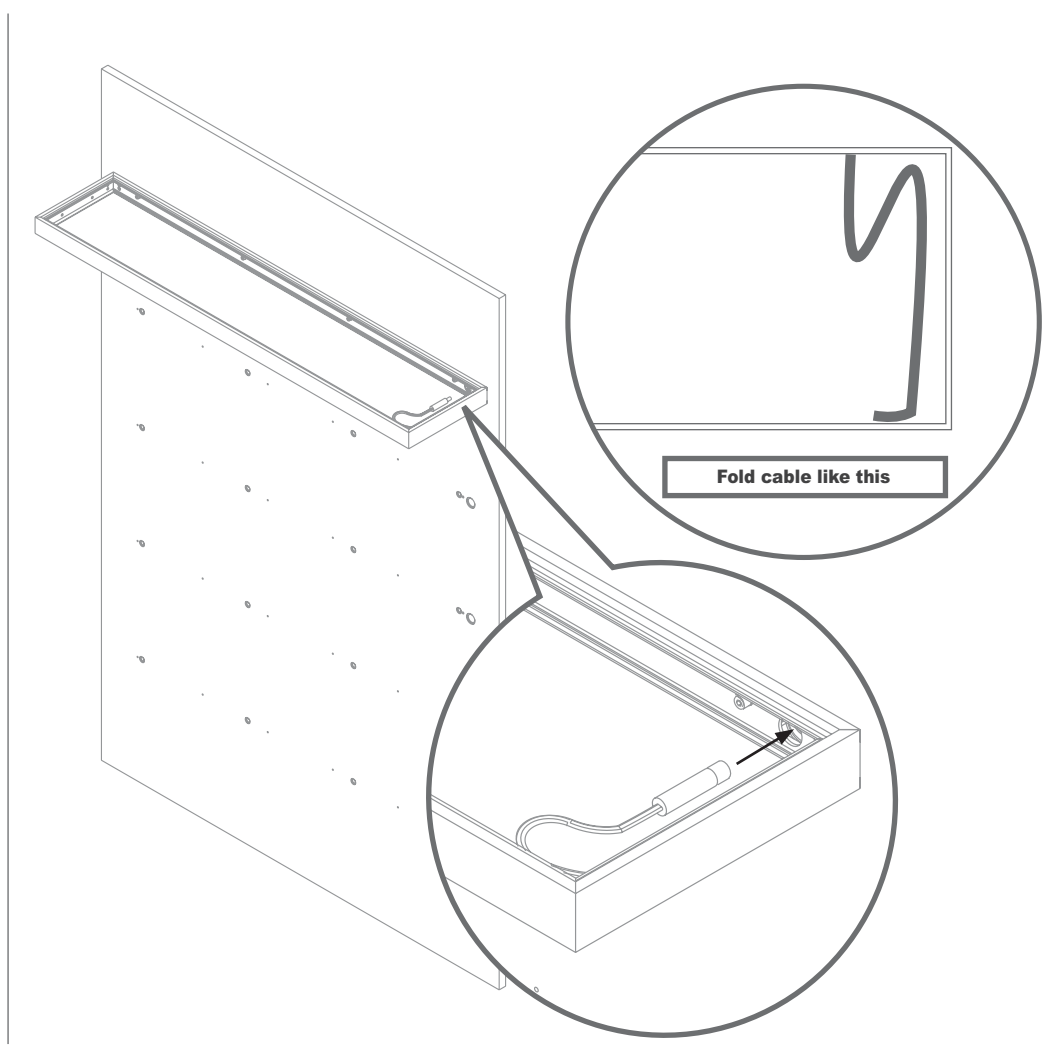
# 12



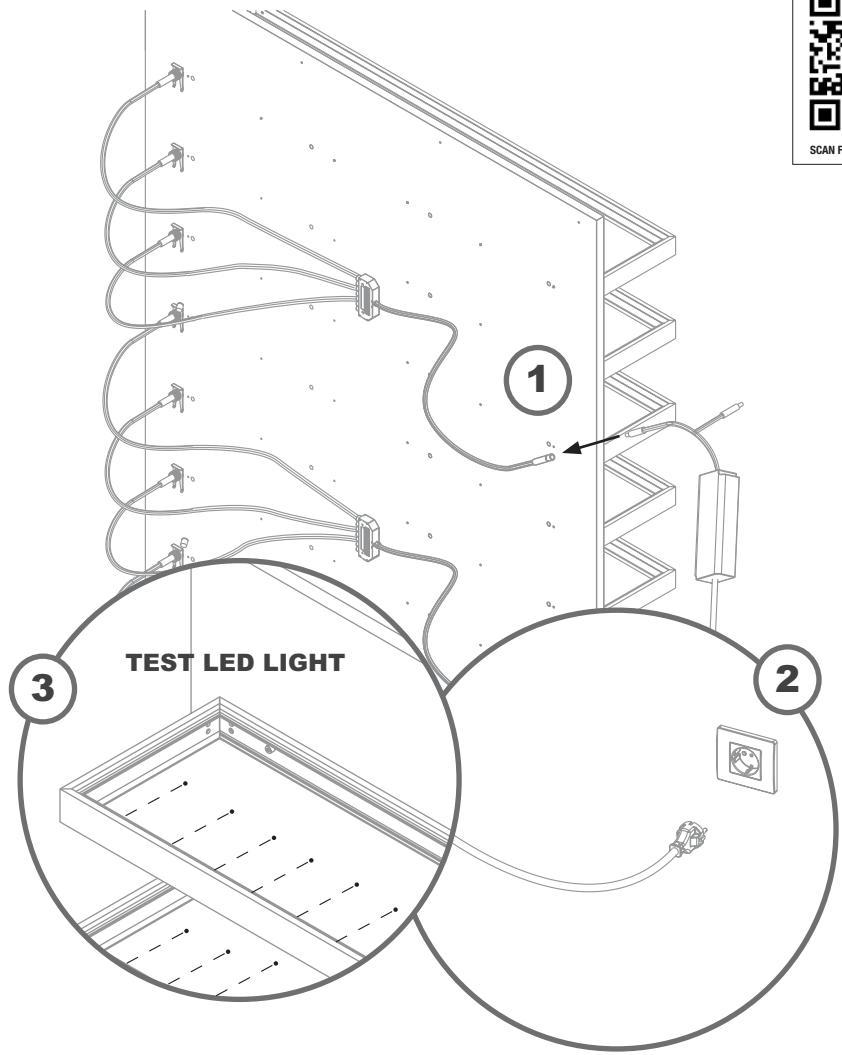
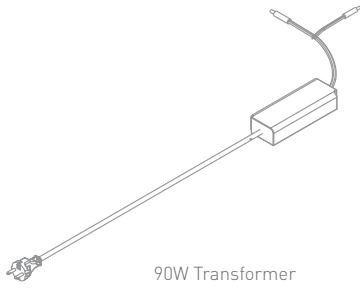
-   
M4x15mm Button Head Screw  
3x for each 530mm shelf  
4x for each 930mm shelf
-   
Small Washer  
3x for each 530mm shelf  
4x for each 930mm shelf
-   
Allen Key



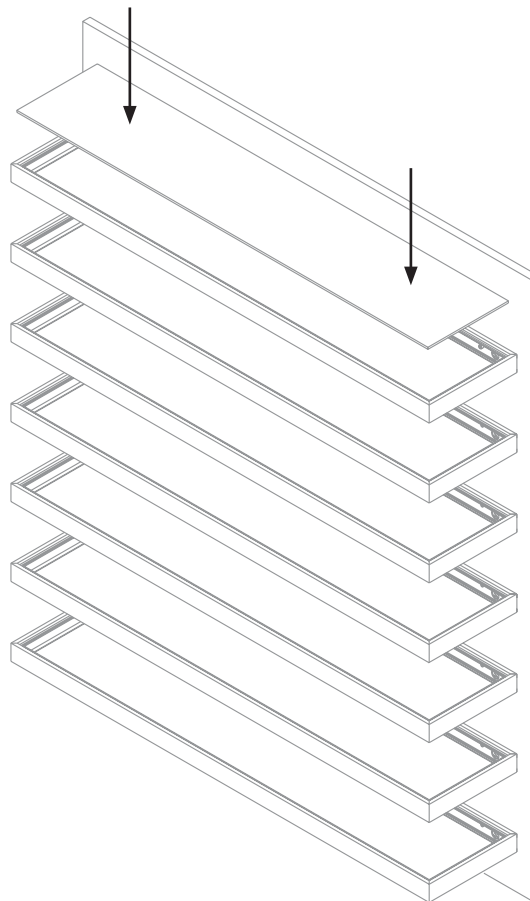
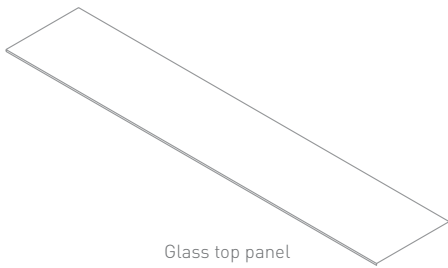
# 13



14



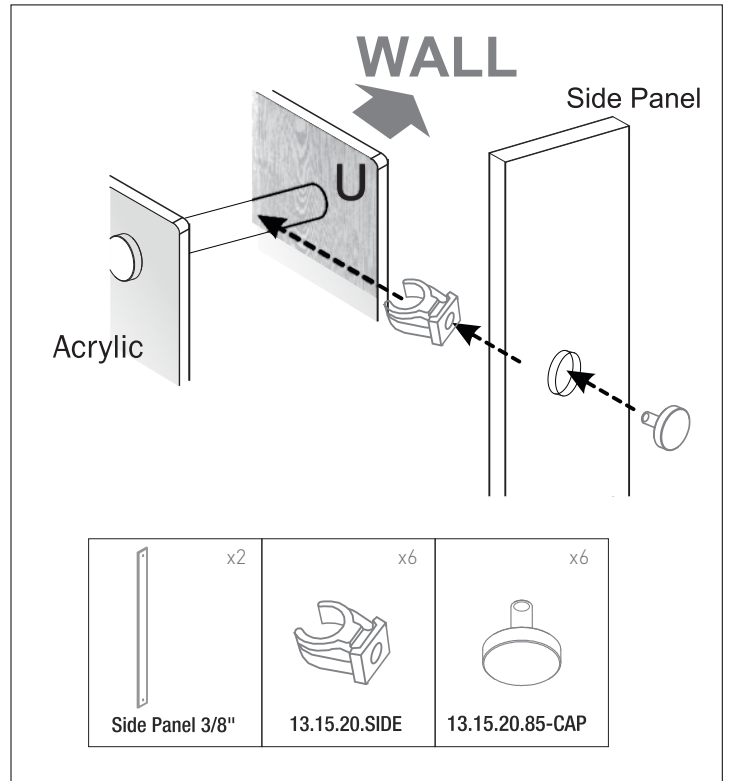
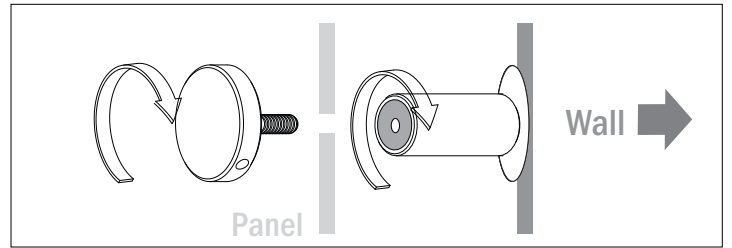
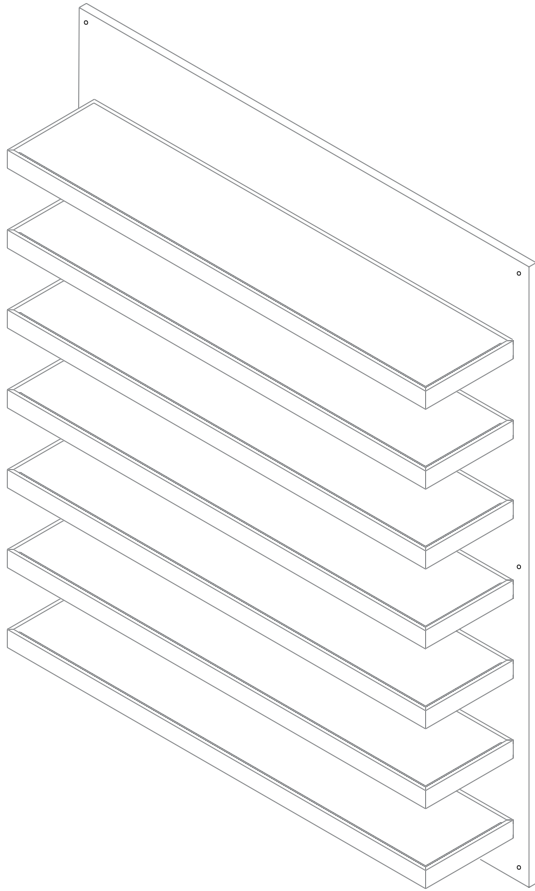
15



# MOUNT PANEL TO STANDOFFS



SCAN FOR VIDEO INSTRUCTIONS





## CNS Frame Displays

22821 Silverbrook Center Dr.  
Suite 140  
Sterling, VA 20166  
United States of America

Tel: 877-274-9300  
[info@framedisplays.com](mailto:info@framedisplays.com)  
[www.framedisplays.com](http://www.framedisplays.com)



SCAN FOR VIDEO INSTRUCTIONS