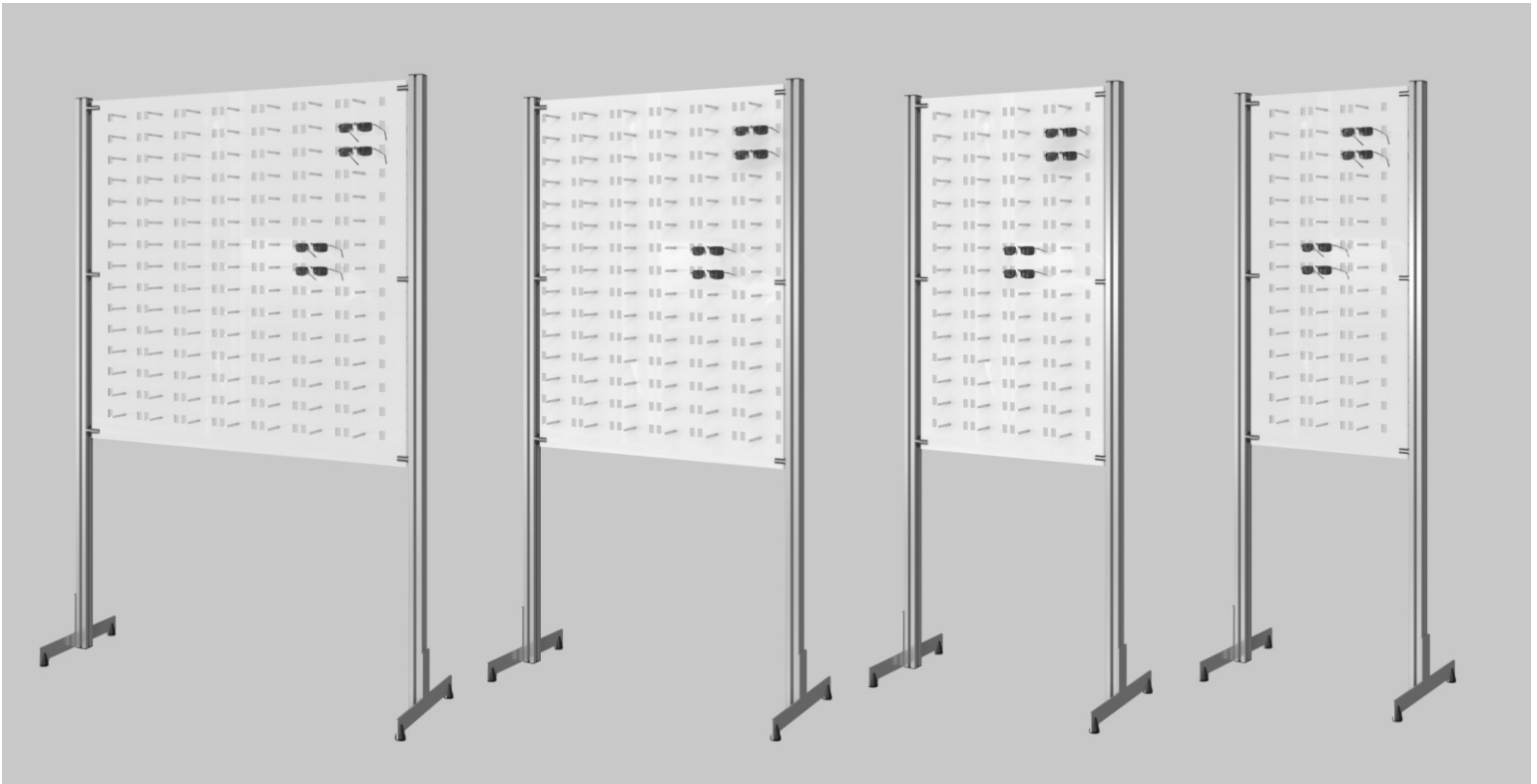




SCAN FOR VIDEO INSTRUCTIONS


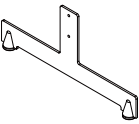
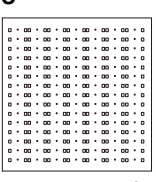
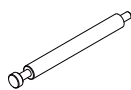
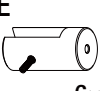
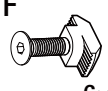

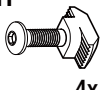




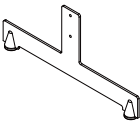
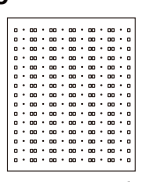
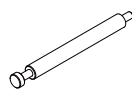
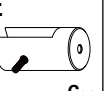
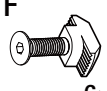



FT.DWL.105_Open


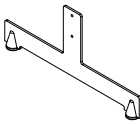
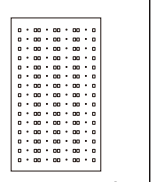
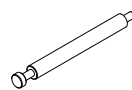
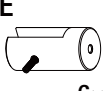
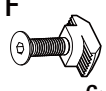

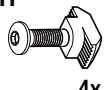

FT.DWL.90_Open


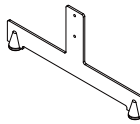
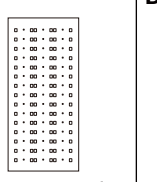
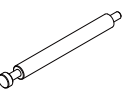
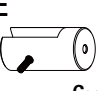
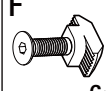

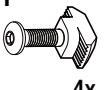

FT.DWL.60_Open

FT.DWL.45_Open

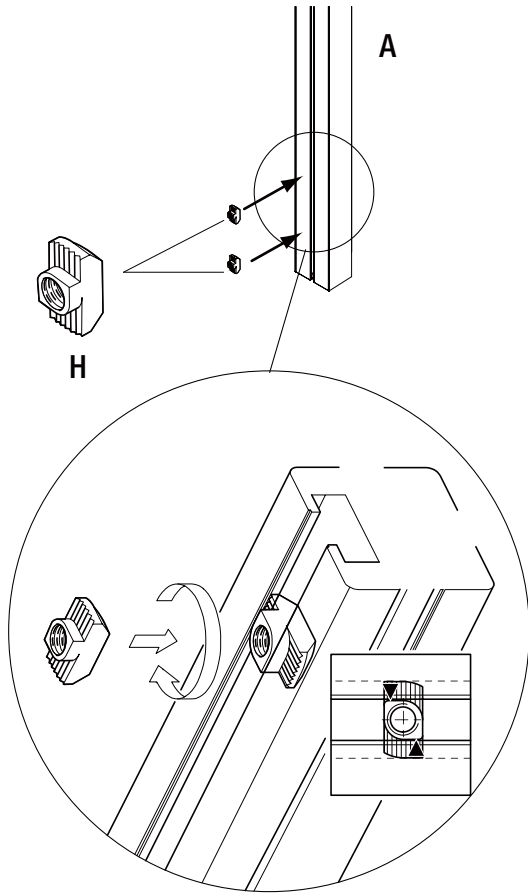
A  2x	B  2x	
C  1x	D  105x	
E  6x	F  6x	G  6x
H  4x	I  1x	

A  2x	B  2x	
C  1x	D  90x	
E  6x	F  6x	G  6x
H  4x	I  1x	

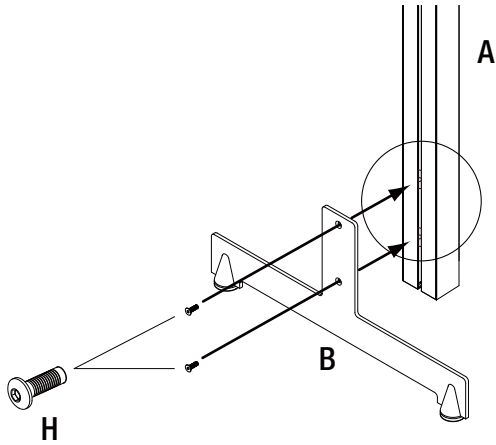
A  2x	B  2x	
C  1x	D  60x	
E  6x	F  6x	G  6x
H  4x	I  1x	

A  2x	B  2x	
C  1x	D  45x	
E  6x	F  6x	G  6x
H  4x	I  1x	

1



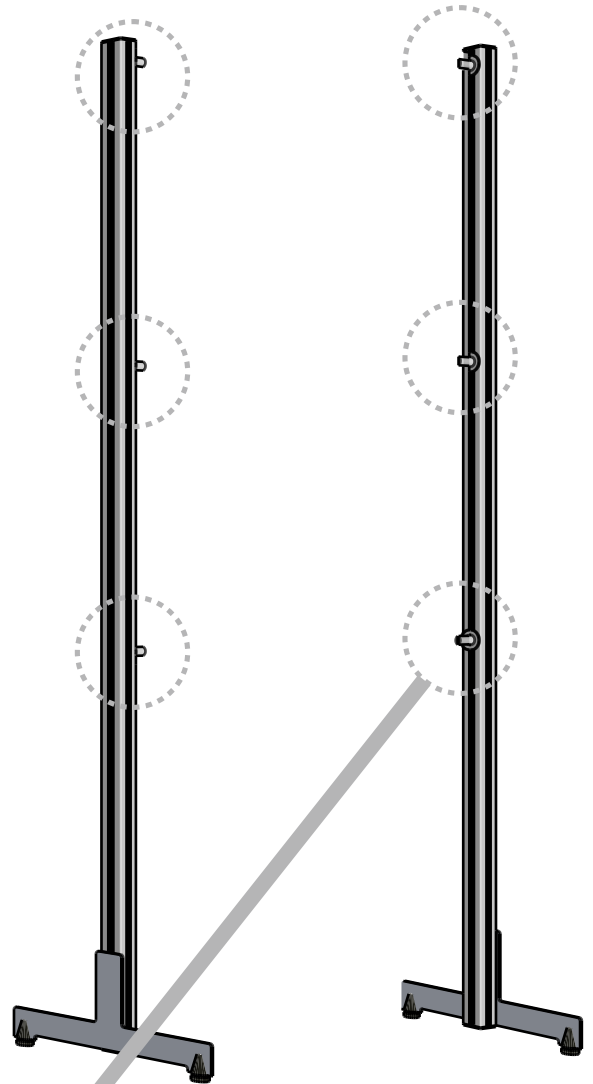
2



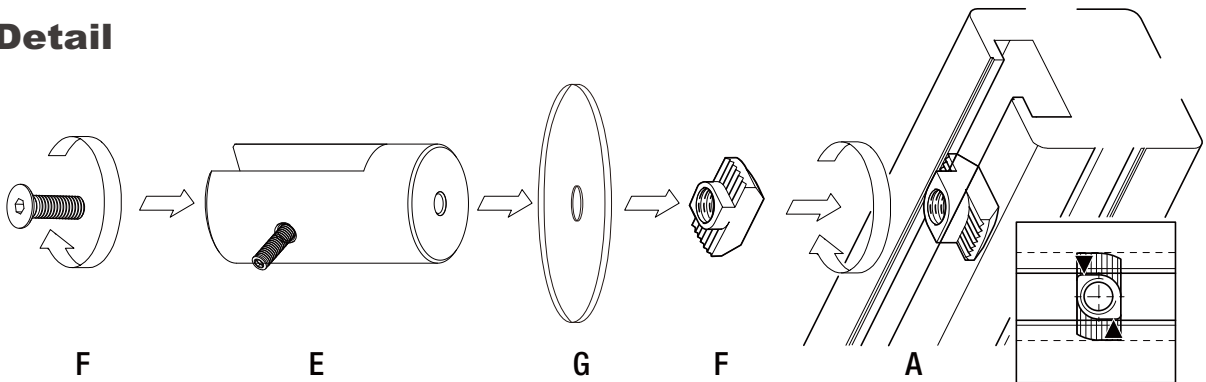
3



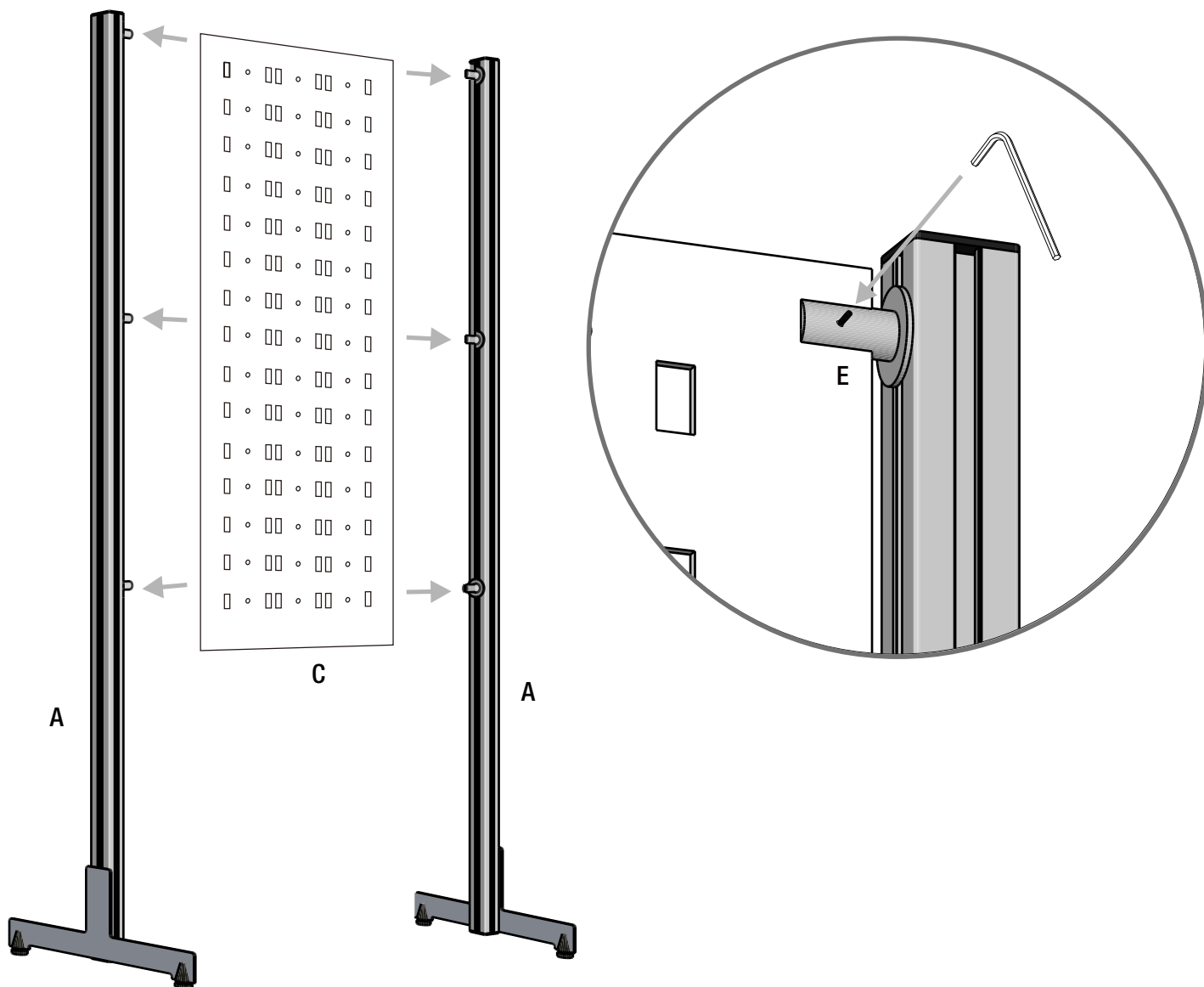
SCAN FOR VIDEO INSTRUCTIONS



3 Detail



4



5

