



**IMPORTANT SAFETY INSTRUCTIONS**

## SAFETY INSTRUCTIONS: DW PANEL

**WARNING** - To reduce the risk of burns, fire, electric shock or injury to persons:

1. Close supervision is necessary when this unit is used by, or near children, invalids, or disabled persons.
2. Use this unit only for its intended use as described in this manual.  
Do not use attachments not recommended by the manufacturer.
3. Never drop or insert any object into any opening other than the intended use of presenting sunglasses.

**MAINTENANCE INSTRUCTIONS** - Instructions for cleaning and user maintenance operations:

1. The exterior of a SECURE DISPLAY SYSTEM may only be cleaned with a non-static brush.
2. The SECURE DISPLAY SYSTEM has no user serviceable parts. All malfunctioning or damaged components are to be replaced by a service representative duly authorized by Frame Displays

**INTENDED USE**

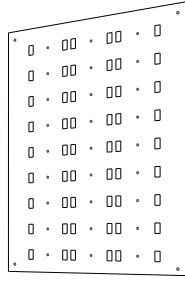
1. The intended use of the Secure Display System is to display eyewear frames and sunglasses.
2. This product is for commercial use only.



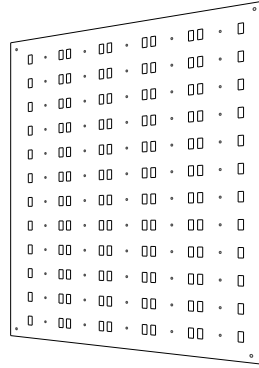
scan QR code

# PACKAGING CONTENT

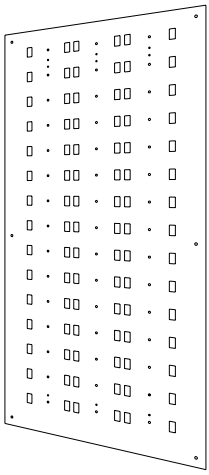
## PANEL



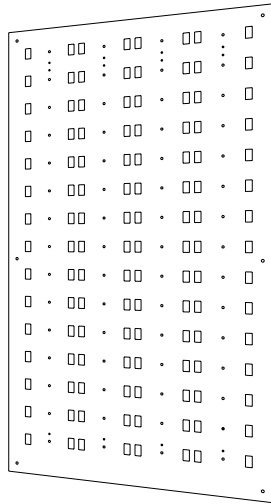
DW-31-30F  
(1)



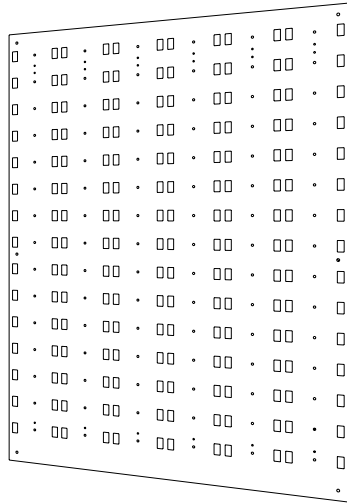
DW-31-60F  
(1)



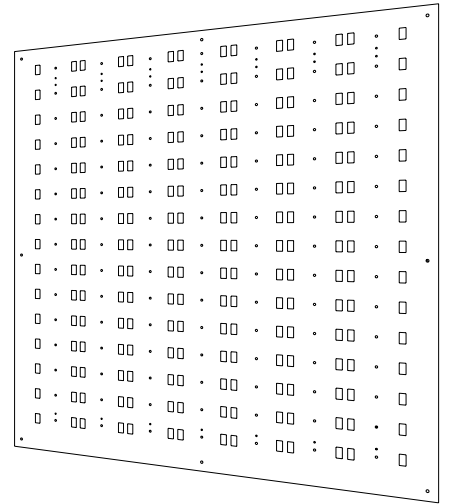
DW-31-45F  
(1)



DW-31-60FH  
(1)

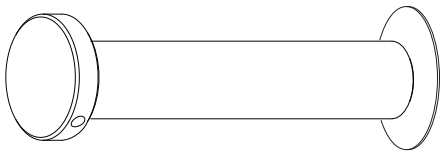


DW-31-90F  
(1)



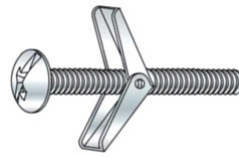
DW-31-105F  
(1)

### Standoff (#13.15.20.85)



{4/4/6/6/6/8}

### Butterfly Anchors + Screws

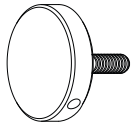


{4/4/6/6/6/8}

### Pins



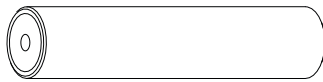
{30/60/45/60/90/105}



Standoff Cap  
13.15.20.85-CAP



Upper Inside Threaded Barrel  
13.15.20.85-BAR



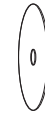
Standoff Cylinder  
13.15.20.85-CYL



Standoff Screw  
13.15.20.85-SCR



Lower Inside Threaded Barrel  
13.15.20.85-BAR



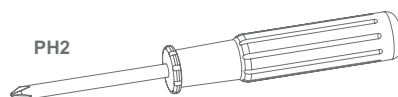
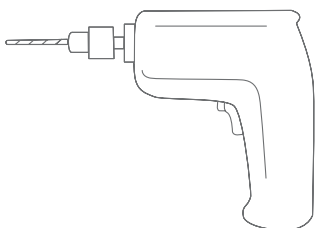
Standoff Washer  
13.15.20.85-WSH



Toggle Bolt

{4/4/6/6/6/8}

## REQUIRED TOOLS



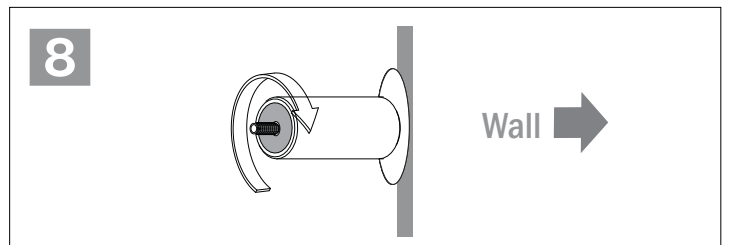
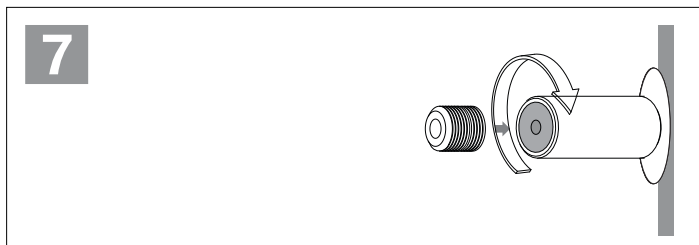
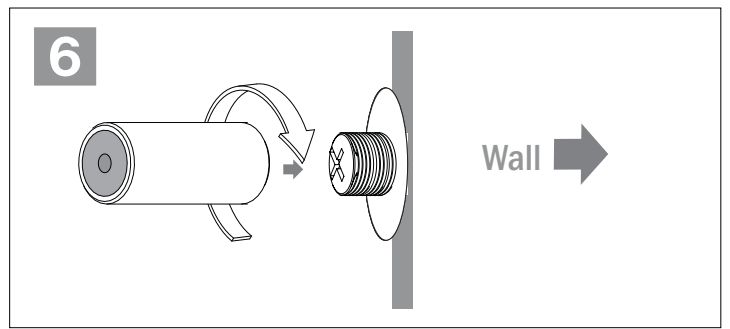
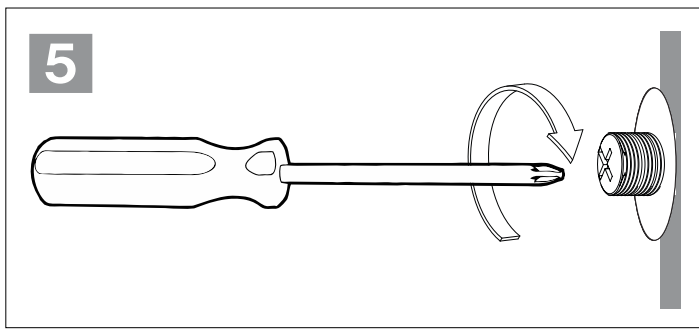
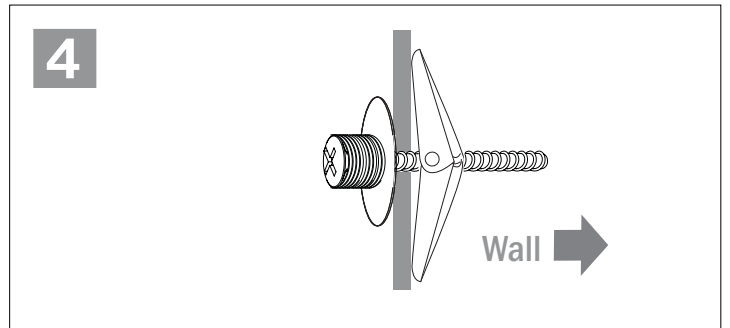
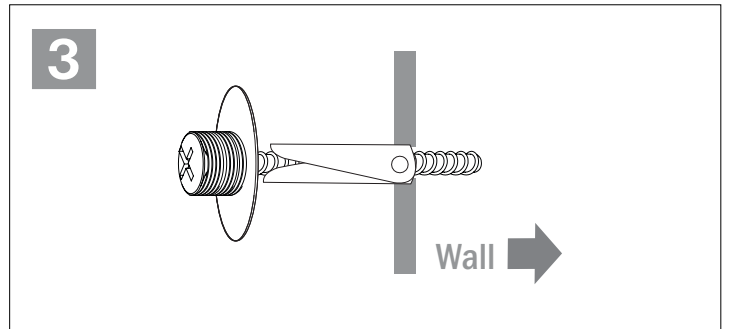
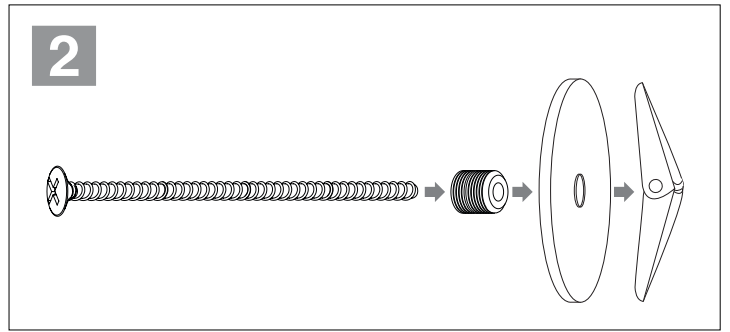
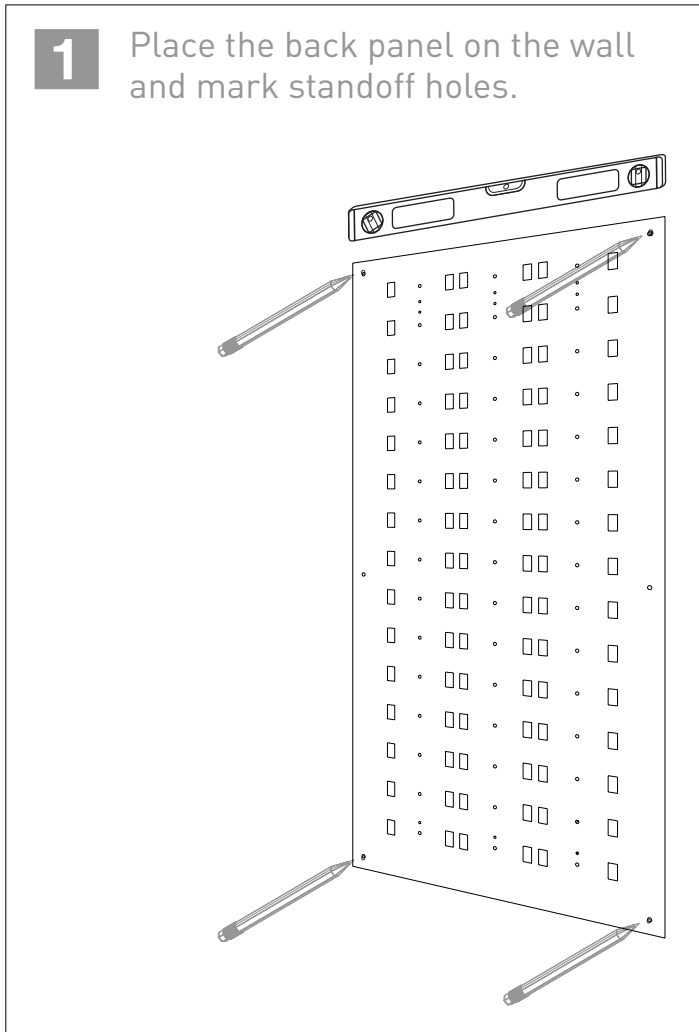
PH2



2mm

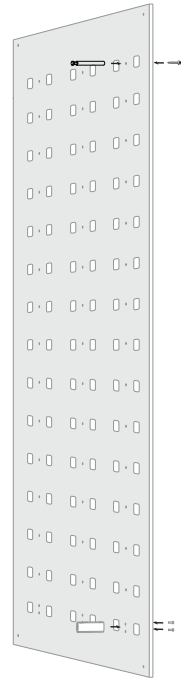
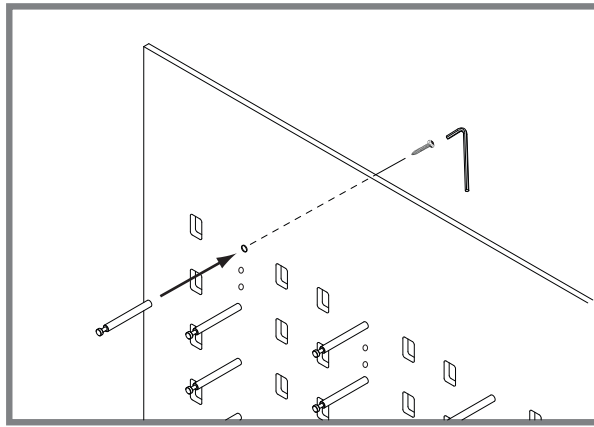
- Included

**1** Install the standoffs on the marked spots on the wall



scan QR code

## 2 Install the pins to the panels



## 3 Place the complete panel on to the standoffs and secure them with the caps

