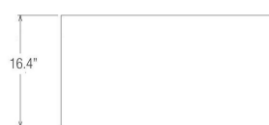
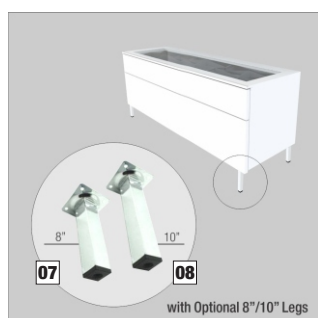
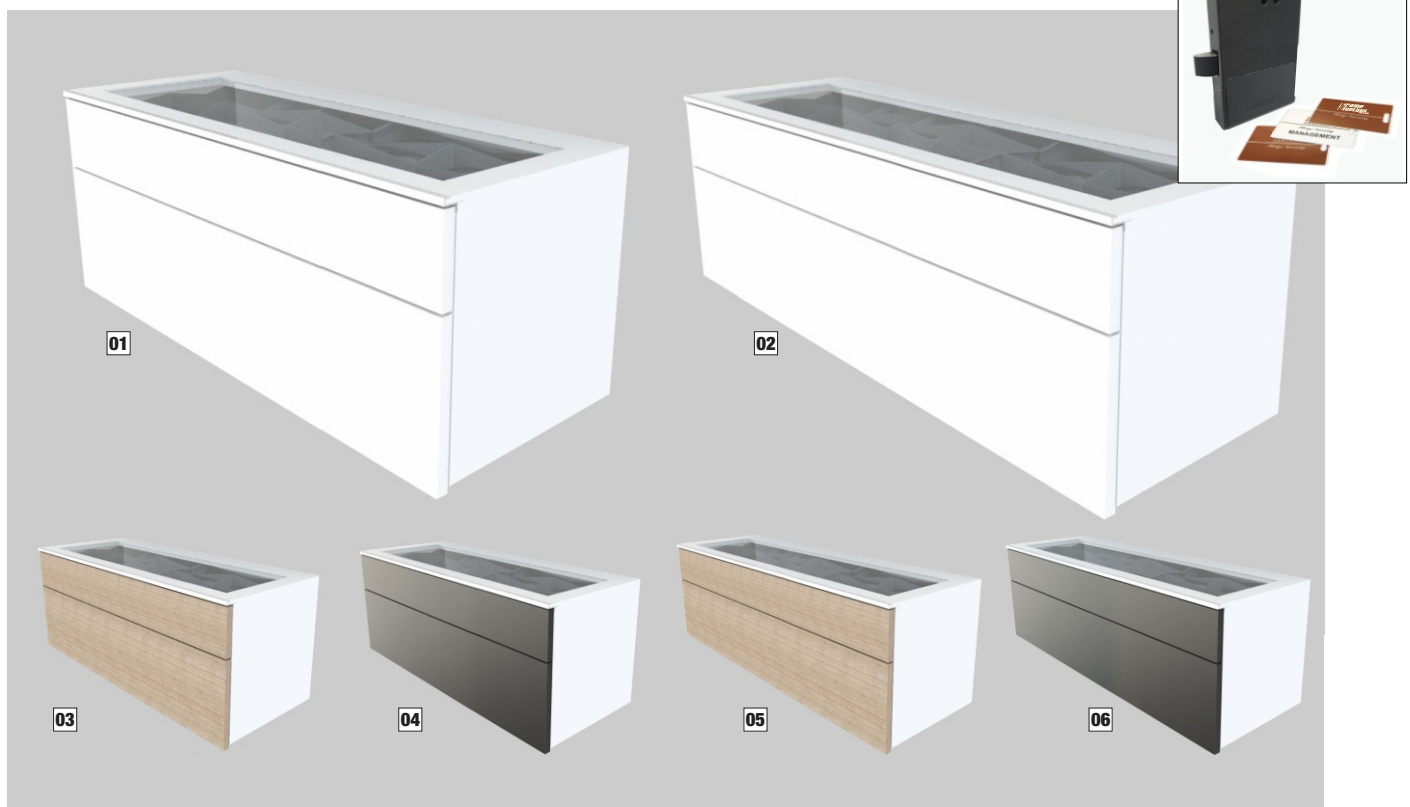


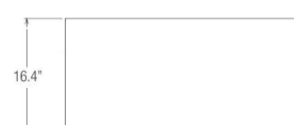
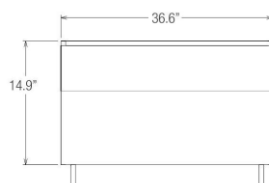
TOP VISION CABINETS

These cabinets are the building blocks of our Store Elements collection. Our fabricators in Europe produce these pieces using traditional techniques, guaranteeing excellent craftsmanship and precision. Our high quality cabinets come with a glass top to offer extra display space for your frames plus a fabulous, deep drawer below for storage. Each cabinet has the option to be wall mounted or floor standing. And they work beautifully with the rest of the collection of panels and LED shelves.

	PRODUCT ITEM NUMBER	DESCRIPTION
01	58115GW930	Wall Mounted 2 Drawer Cabinet - 930mm(W) x 418mm(D) x 380mm(H) (36.6" x 16.4" x 14.9")
		Glass Top with Frame Dividing Foam in the Top Drawer / Maxi Gloss MDF White
		Pricing includes wall-mounting bracket kit
02	58115GW1200	Wall Mounted 2 Drawer Cabinet - 1200mm(W) x 418mm(D) x 380mm(H) (47.25" x 16.4" x 14.9")
		Glass Top with Frame Dividing Foam in the Top Drawer / Maxi Gloss MDF White
		Pricing includes wall-mounting bracket kit
03	58600	Set of 2 Drawer Fronts for 930mm Cabinet in Oak
04	58601	Set of 2 Drawer Fronts for 930mm Cabinet in Matt Black
05	58602	Set of 2 Drawer Fronts for 1200mm Cabinet in Oak
06	58603	Set of 2 Drawer Fronts for 1200mm Cabinet in Matt Black
07	58700.LEGS	Set of Four White Legs for Top Cabinets - 200mm or 8" in Length
08	58701.LEGS	Set of Four White Legs for Top Cabinets - 254mm or 10" in Length
09	RFIDLOCK.58115	Optional RF ID Lock - Locks and opens the Top Drawer with a smart card. Requires installation by the client. Location and holes premarked
10	58115-SAMPLE-BLACK	Wood samples for Cabinet and Shelf Fronts - Black
11	58115-SAMPLE-GLOSSWHITE	Wood samples for Cabinet and Shelf Fronts - Gloss White
12	58115-SAMPLE-OAK	Wood samples for Cabinet and Shelf Fronts - Oak
13	58115GW930.DIVIDERS	White Frame Divider for 25 frames
14	58115GW1200.DIVIDERS	White Frame Divider for 35 frames



01



02

