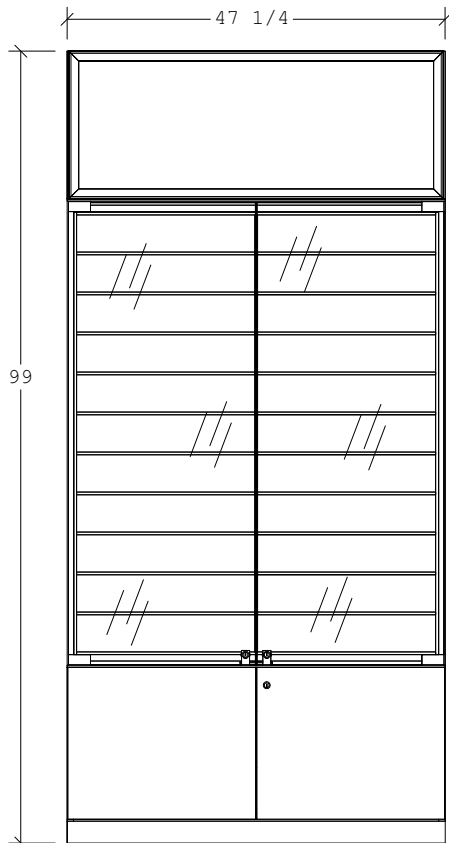




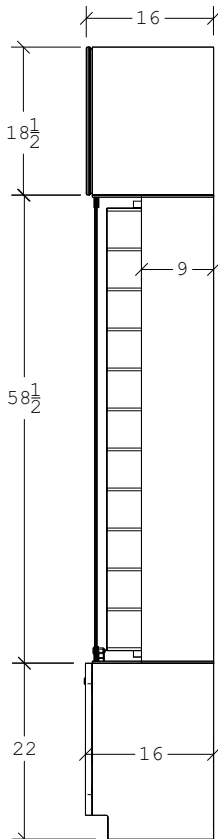
**PLAN VIEW**

1/2" = 1'-0"



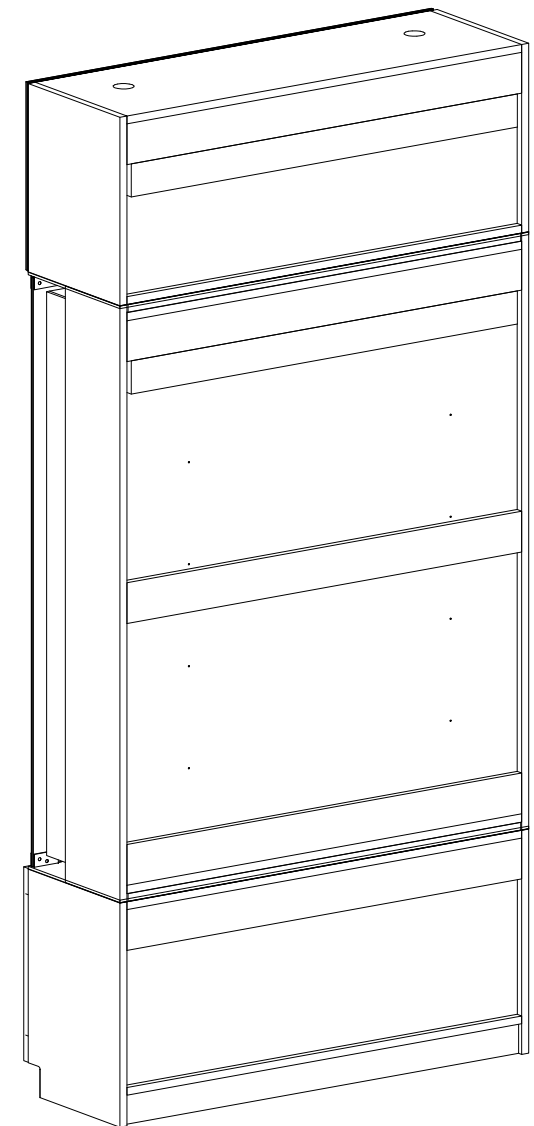
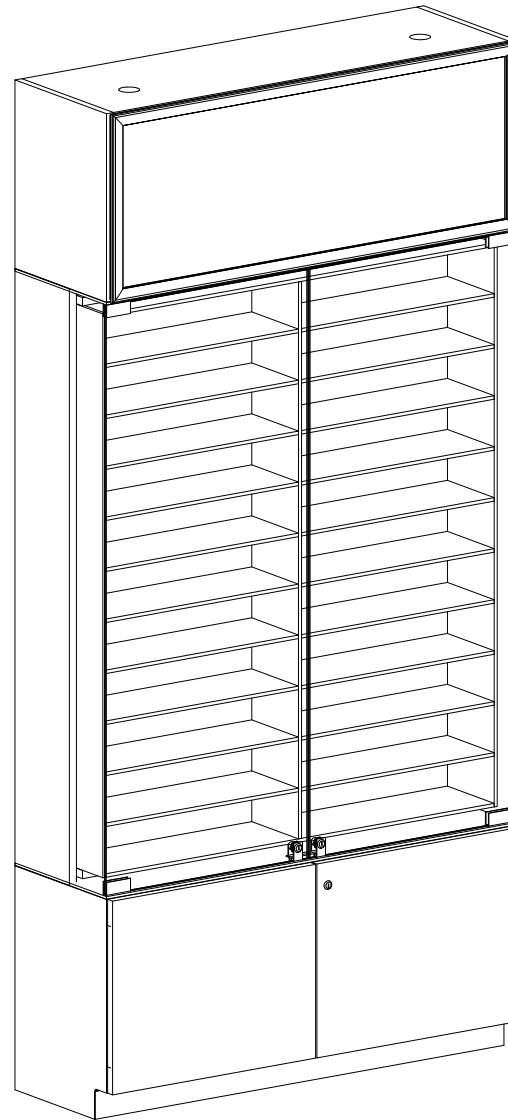
**FRONT VIEW**

1/2" = 1'-0"



**END VIEW**

1/2" = 1'-0"



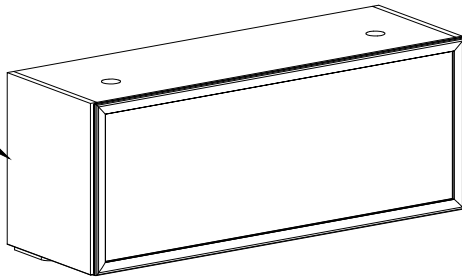
# TREND-48 Eyewear & Sunglass Wall Cabinet Assembly Instruction

**Frame Displays USA**  
22821 Silverbrook Center Dr., Suite 140, Sterling, VA 20166  
1-703-435-7770  
www.framedisplays.com • info@framedisplays.com

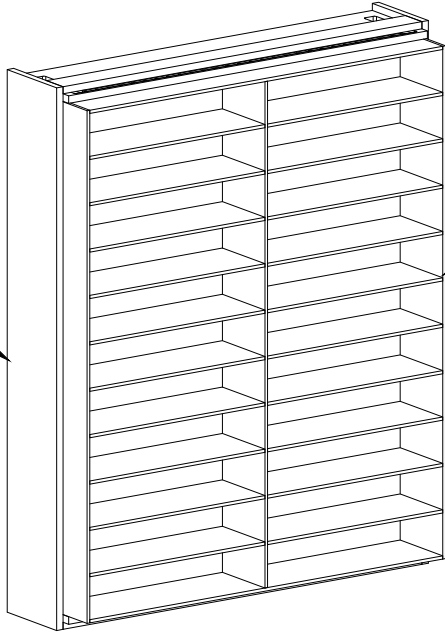
**Frame Displays CANADA**  
416-877-7415  
www.framedisplays.com • info@framedisplays.com

Other international +1 703-435-7770  
Fax +1 703-435-3180

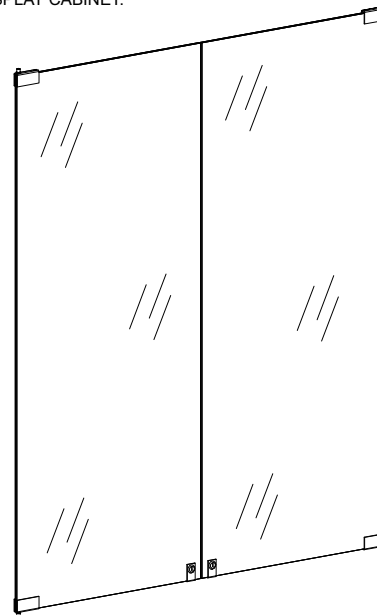
TOP CABINET.  
SHIP LOOSE.



DISPLAY CASE  
ASSEMBLY.  
SHIP LOOSE.

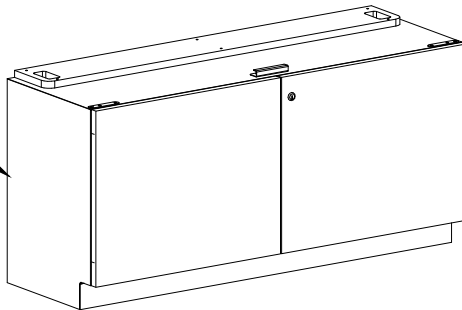


REMOVABLE ACRYLIC CUBE.  
SHIPS WITH DISPLAY CABINET.



(2) GLASS DOORS  
(4) HINGES  
(2) CAM LOCKS.  
SHIP LOOSE.

BASE CABINET.  
SHIP LOOSE.



## TREND-48 Eyewear & Sunglass Wall Cabinet Assembly Instruction

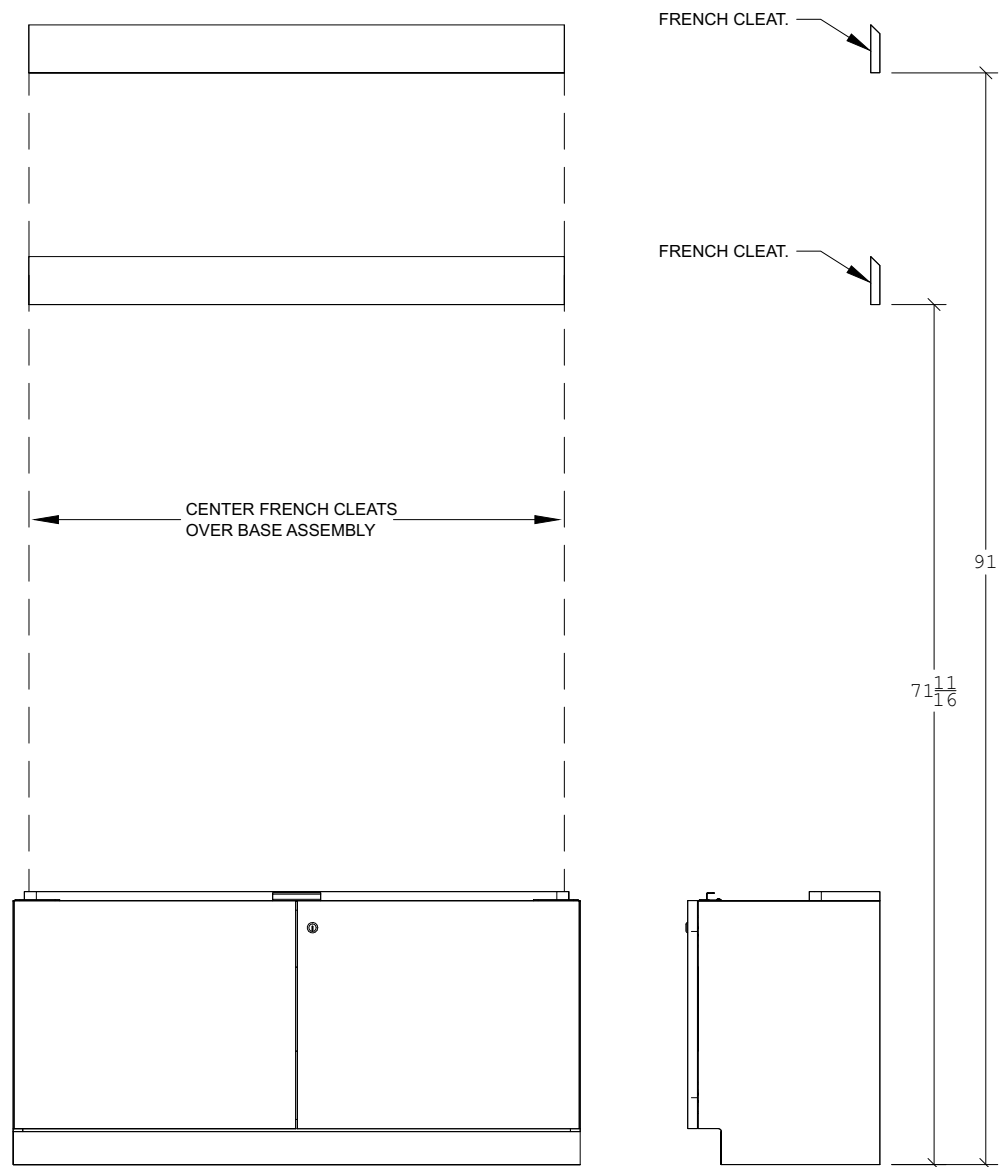
 **Frame Displays USA**  
22821 Silverbrook Center Dr., Suite 140, Sterling, VA 20166  
1-703-435-7770  
[www.framedisplays.com](http://www.framedisplays.com) • [info@framedisplays.com](mailto:info@framedisplays.com)

 **Frame Displays CANADA**  
416-877-7415  
[www.framedisplays.com](http://www.framedisplays.com) • [info@framedisplays.com](mailto:info@framedisplays.com)

Other international +1 703-435-7770  
Fax +1 703-435-3180

1) SET BASE CABINET IN PLACE.

2) SECURELY ATTACH FRENCH CLEATS TO STORE WALL.  
**CLEATS MUST BE ATTACHED TO WALL STUDS.**



## TREND-48 Eyewear & Sunglass Wall Cabinet Assembly Instruction

 **Frame Displays USA**  
22821 Silverbrook Center Dr., Suite 140, Sterling, VA 20166  
1-703-435-7770  
[www.framedisplays.com](http://www.framedisplays.com) • [info@framedisplays.com](mailto:info@framedisplays.com)

 **Frame Displays CANADA**  
416-877-7415  
[www.framedisplays.com](http://www.framedisplays.com) • [info@framedisplays.com](mailto:info@framedisplays.com)

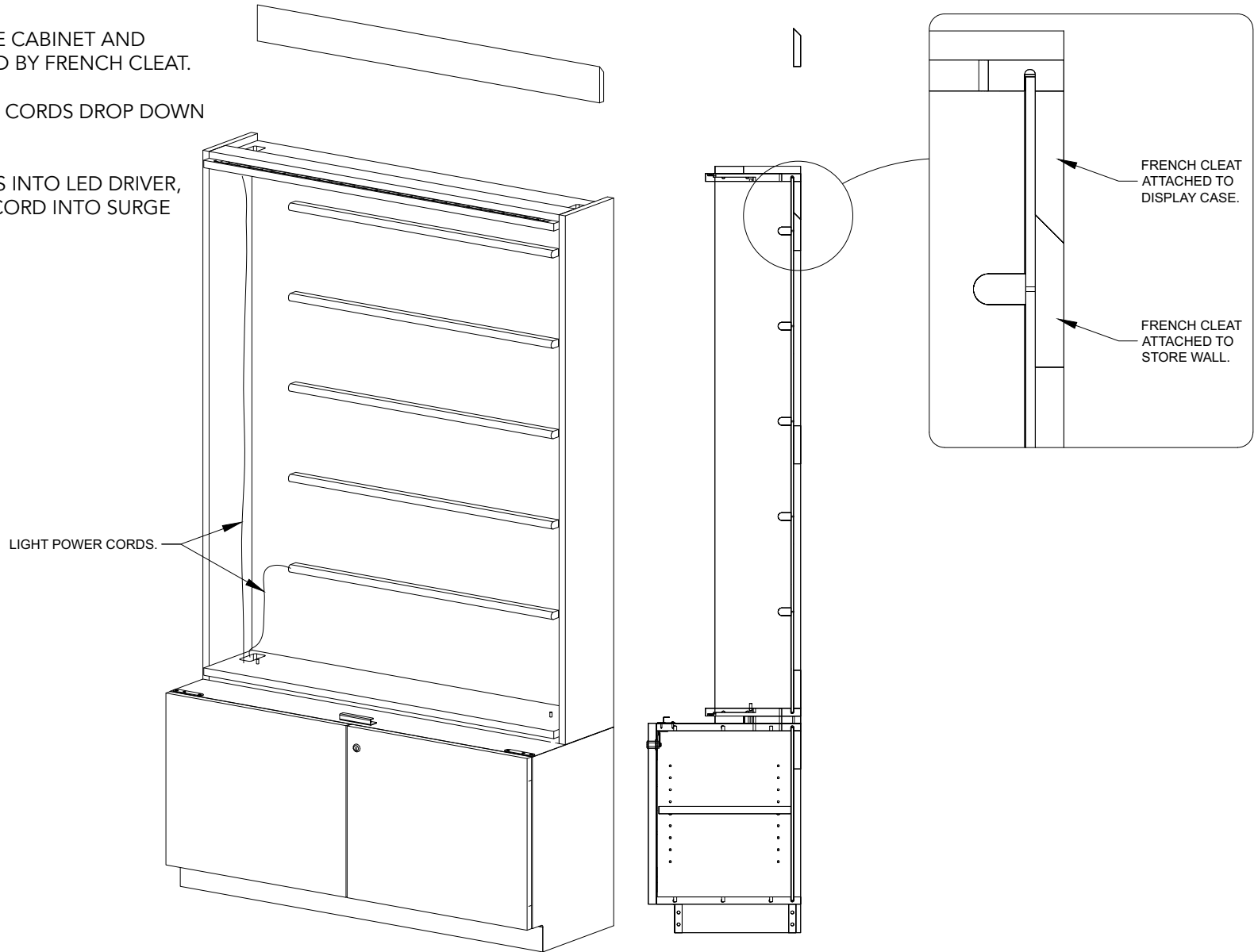
Other international +1 703-435-7770  
Fax +1 703-435-3180

3) CAREFULLY REMOVE ACRYLIC CUBE FROM DISPLAY CASE.

4) SET DISPLAY CASE ONTO BASE CABINET AND VERIFY DISPLAY CASE IS SECURED BY FRENCH CLEAT.

5) MAKE SURE ALL LIGHT POWER CORDS DROP DOWN INTO BASE CABINET.

6) PLUG (2) RIBBON LIGHT CORDS INTO LED DRIVER, AND (1) LIGHT FIXTURE POWER CORD INTO SURGE PROTECTOR.



## TREND-48 Eyewear & Sunglass Wall Cabinet Assembly Instruction

 **Frame Displays USA**  
22821 Silverbrook Center Dr., Suite 140, Sterling, VA 20166  
1-703-435-7770  
[www.framedisplays.com](http://www.framedisplays.com) • [info@framedisplays.com](mailto:info@framedisplays.com)

 **Frame Displays CANADA**  
416-877-7415  
[www.framedisplays.com](http://www.framedisplays.com) • [info@framedisplays.com](mailto:info@framedisplays.com)

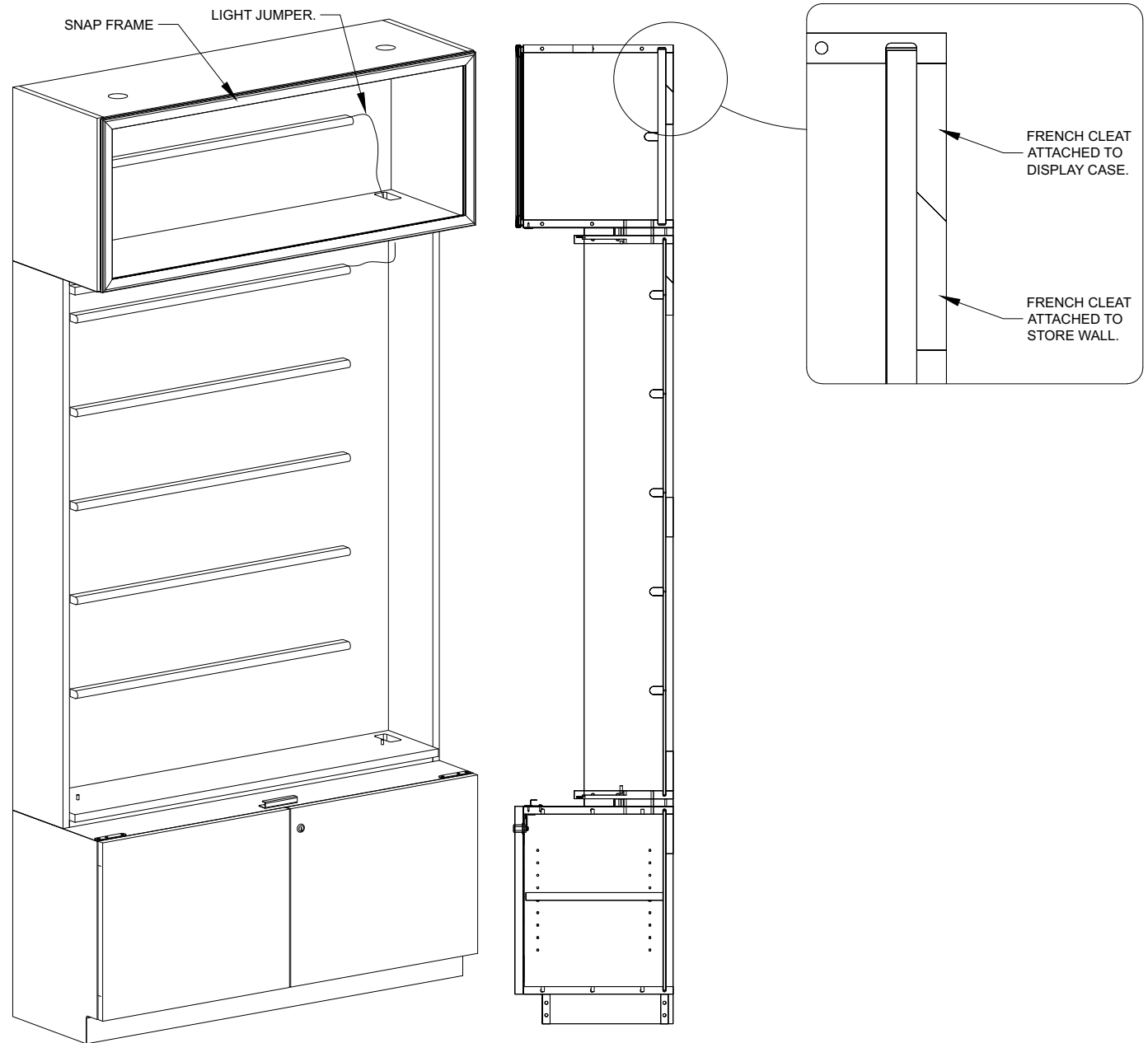
Other international +1 703-435-7770  
Fax +1 703-435-3180

7) OPEN SNAP FRAME AND REMOVE ACRYLIC PANELS.

8) SET TOP CABINET ONTO DISPLAY CASE AND VERIFY TOP CABINET IS SECURED BY FRENCH CLEAT.

9) TAKE LIGHT JUMPER THAT IS CONNECTED TO LIGHT IN TOP CABINET AND DROP DOWN INTO DISPLAY CASE AND PLUG INTO TOP LIGHT IN DISPLAY CASE.

10) MAKE SURE ALL LIGHTS WORK.



## TREND-48 Eyewear & Sunglass Wall Cabinet Assembly Instruction

 **Frame Displays USA**  
22821 Silverbrook Center Dr., Suite 140, Sterling, VA 20166  
1-703-435-7770  
[www.framedisplays.com](http://www.framedisplays.com) • [info@framedisplays.com](mailto:info@framedisplays.com)

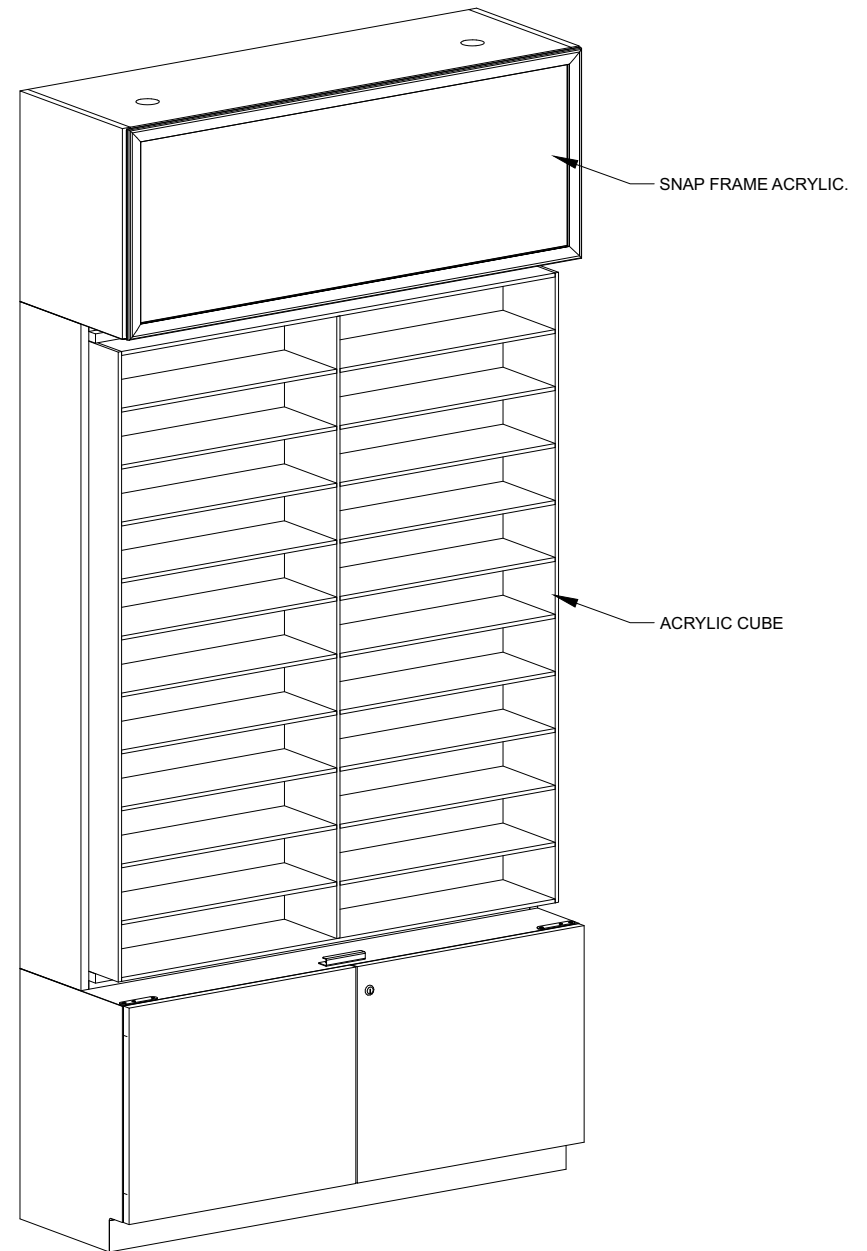
 **Frame Displays CANADA**  
416-877-7415  
[www.framedisplays.com](http://www.framedisplays.com) • [info@framedisplays.com](mailto:info@framedisplays.com)

Other international +1 703-435-7770  
Fax +1 703-435-3180

11) RE-INSTALL ACRYLIC CUBE

12) PLACE DESIRED GRAPHIC IN BETWEEN WHITE AND CLEAR SNAP FRAME ACRYLIC PANELS.

13) RE-INSTALL ACRYLIC PANELS IN SNAP FRAME.



## TREND-48 Eyewear & Sunglass Wall Cabinet Assembly Instruction

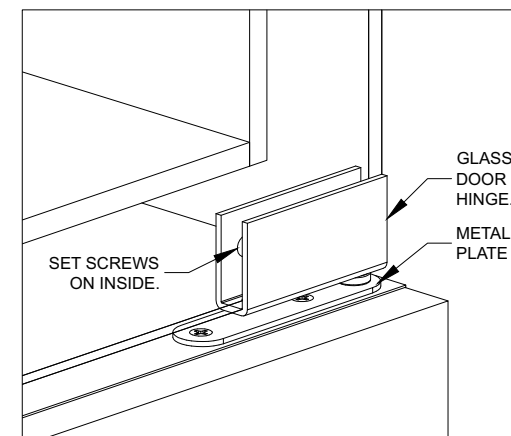
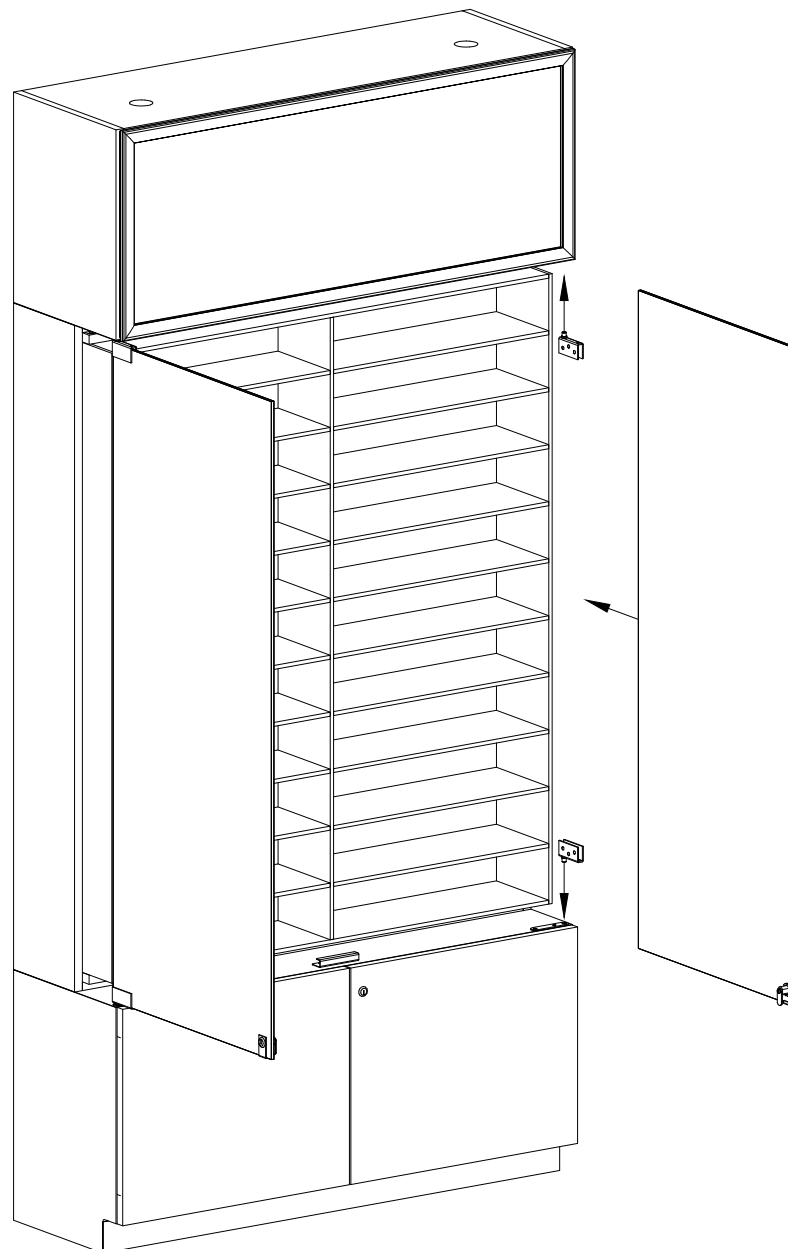
 **Frame Displays USA**  
22821 Silverbrook Center Dr., Suite 140, Sterling, VA 20166  
1-703-435-7770  
[www.framedisplays.com](http://www.framedisplays.com) • [info@framedisplays.com](mailto:info@framedisplays.com)

 **Frame Displays CANADA**  
416-877-7415  
[www.framedisplays.com](http://www.framedisplays.com) • [info@framedisplays.com](mailto:info@framedisplays.com)

Other international +1 703-435-7770  
Fax +1 703-435-3180

14) INSTALL GLASS DOOR HINGES BY INSERTING BUSHING OF HINGE INTO METAL PLATES ATTACHED TO BASE CABINET AND TOP CABINET.

15) SLIDE GLASS DOORS INTO HINGES AND SECURE WITH SET SCREWS.



## TREND-48 Eyewear & Sunglass Wall Cabinet Assembly Instruction

 **Frame Displays USA**  
22821 Silverbrook Center Dr., Suite 140, Sterling, VA 20166  
1-703-435-7770  
[www.framedisplays.com](http://www.framedisplays.com) • [info@framedisplays.com](mailto:info@framedisplays.com)

 **Frame Displays CANADA**  
416-877-7415  
[www.framedisplays.com](http://www.framedisplays.com) • [info@framedisplays.com](mailto:info@framedisplays.com)

Other international +1 703-435-7770  
Fax +1 703-435-3180