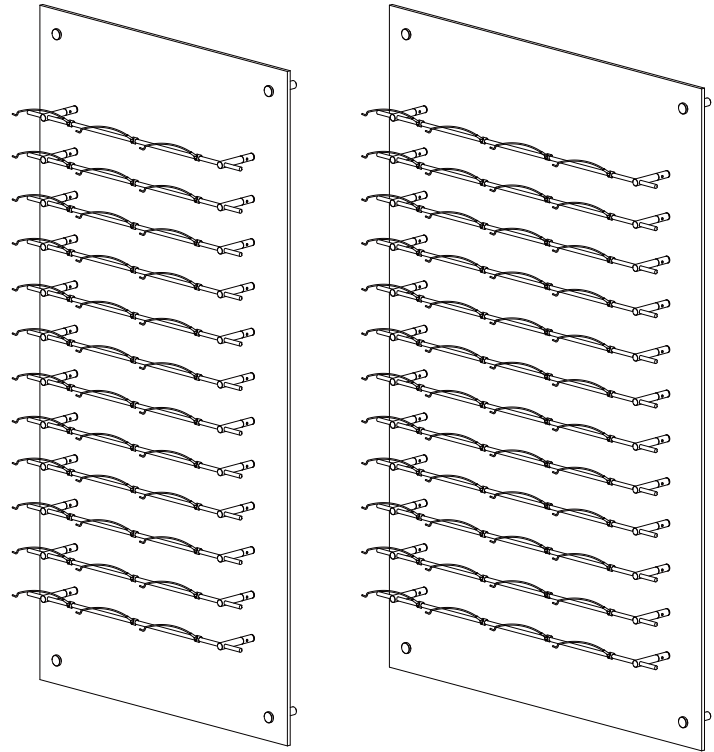


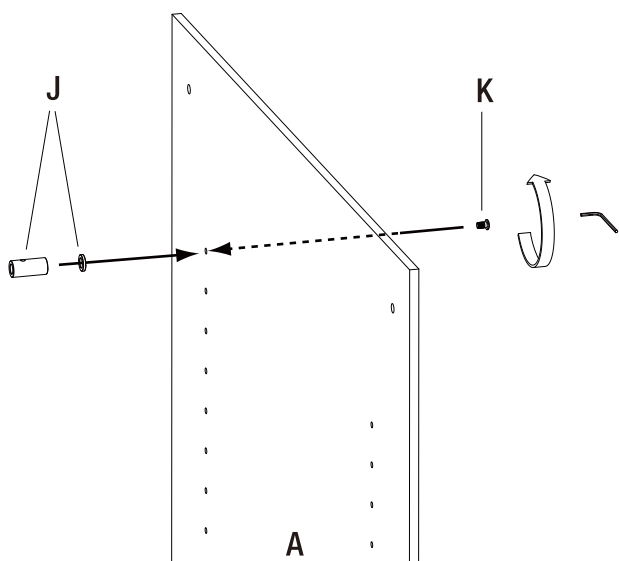
AP7/14/PUR2 AP9/14/PUR2



<p>A</p> <p>AP7/14/PUR2 AP9/14/PUR2*</p> <p>1400x700 1400x900</p> <p>1x</p>		<p>B</p> <p>4x</p>	<p>C</p> <p>4x</p>	<p>D</p> <p>4x</p> <p>1x</p>	<p>E</p> <p>12x</p>	<p>F</p> <p>24x</p>	<p>G</p> <p>36x</p> <p>*48x</p>	<p>H</p> <p>36x</p> <p>*48x</p>	<p>I</p> <p>72x</p>	<p>J</p> <p>24x</p>	<p>K</p> <p>24x</p>
--	--	---------------------------	---------------------------	-------------------------------------	----------------------------	----------------------------	--	--	----------------------------	----------------------------	----------------------------

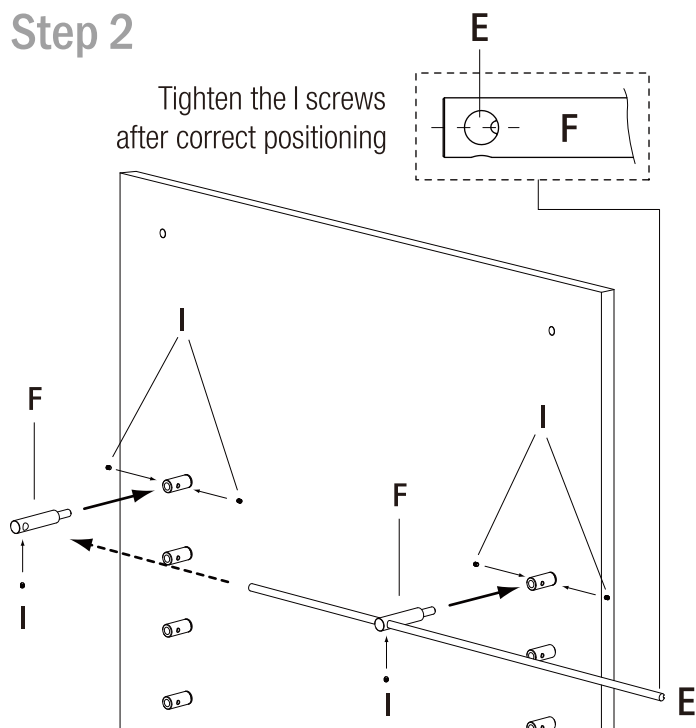
*only for AP9/14/PUR2

Step 1

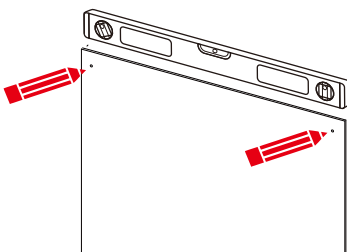


Step 2

Tighten the I screws after correct positioning

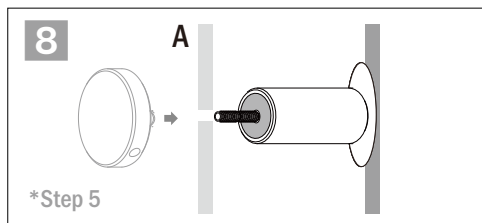
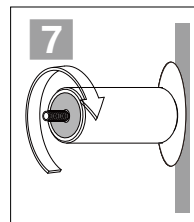
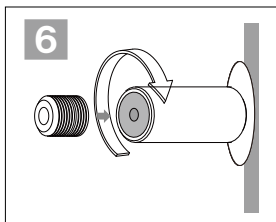
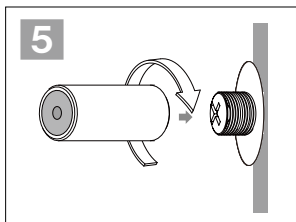
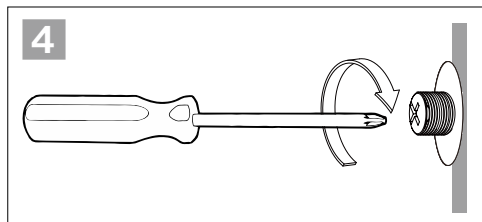
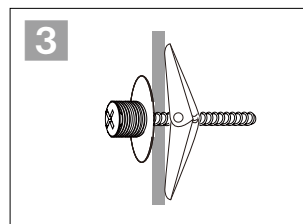
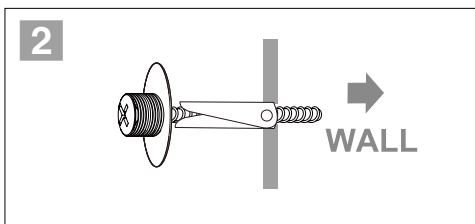
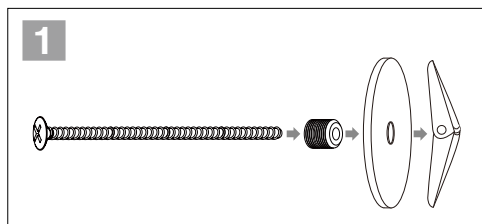


Step 3



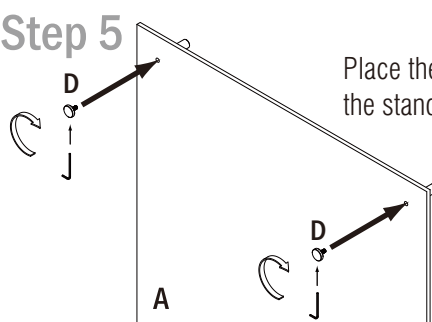
Place the back panel on the wall and mark standoff holes.

Step 4 Install the standoffs on the marked spots on the wall

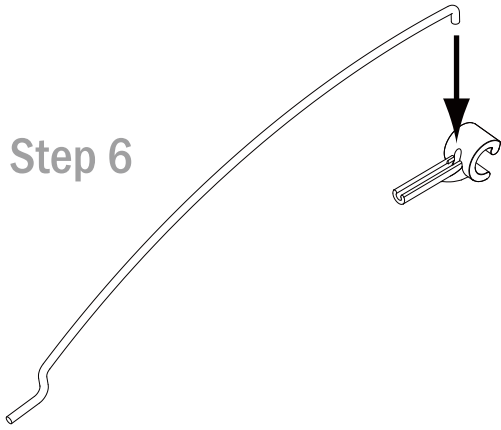


Step 5

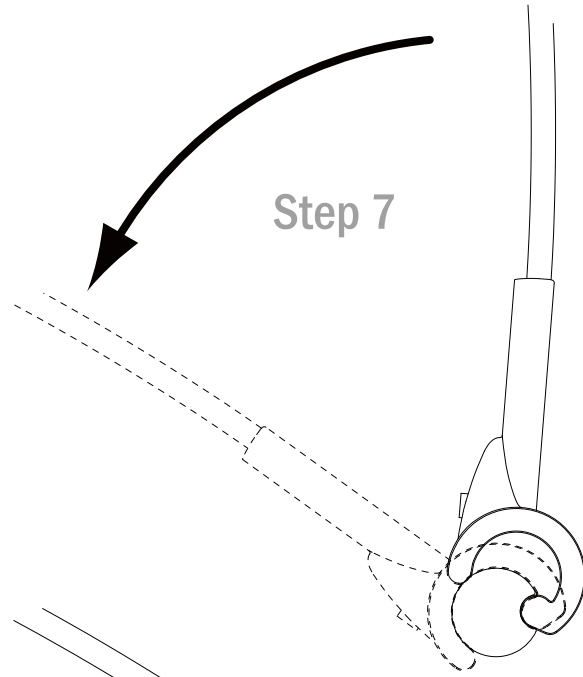
Place the complete panel and shelves on to the standoffs and secure them with the caps



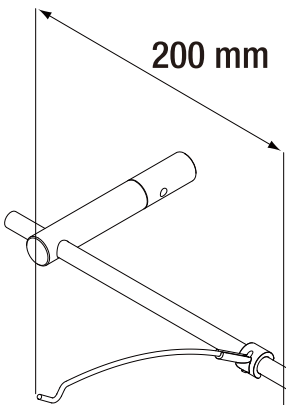
Step 6



Step 7

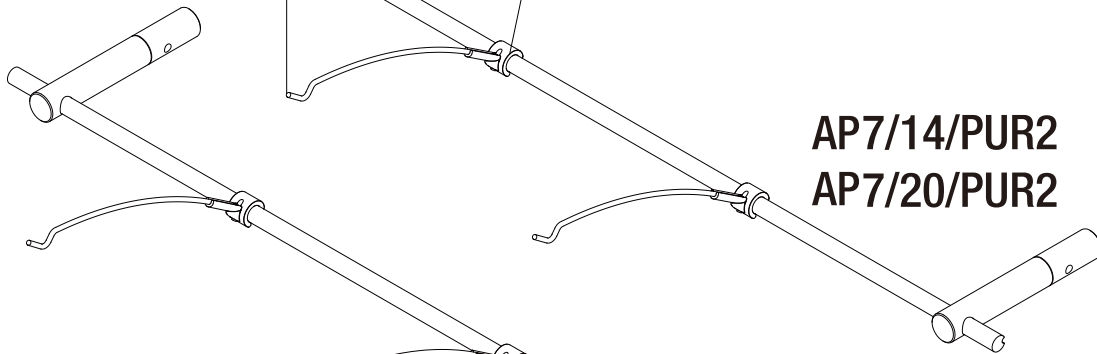


200 mm



Centered

AP7/14/PUR2
AP7/20/PUR2



200 mm

AP9/14/PUR2
AP9/20/PUR2

