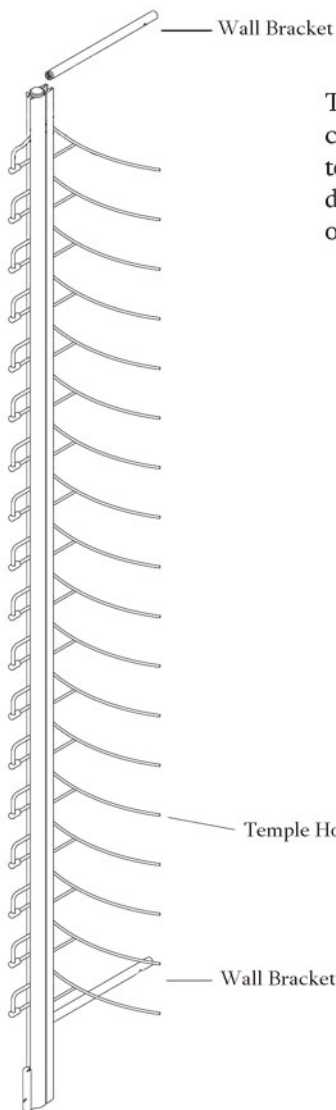
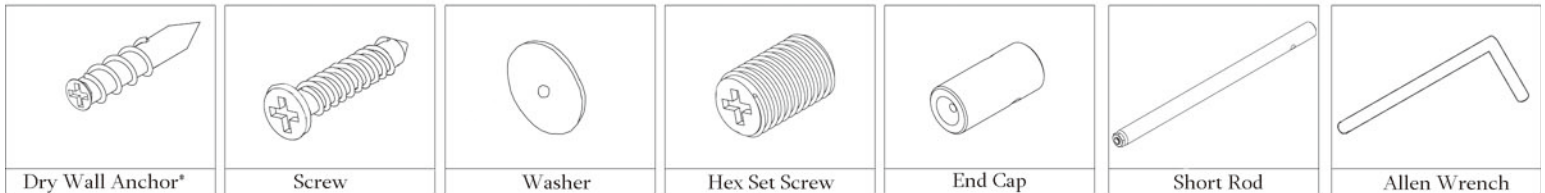


Mini-Tubix

Instructions for sheet rock or dry wall installation

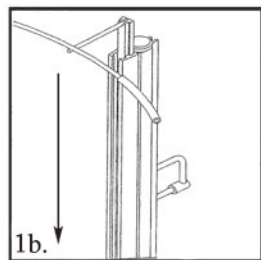
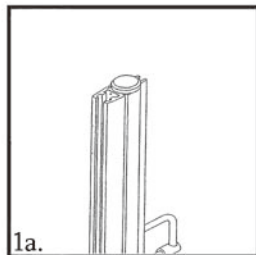
If one wishes to install onto wood or other surfaces, please contact your local hardware store.

Provided by FrameDisplays.Com



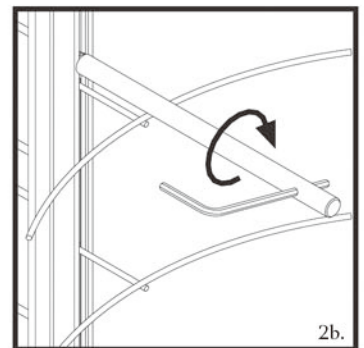
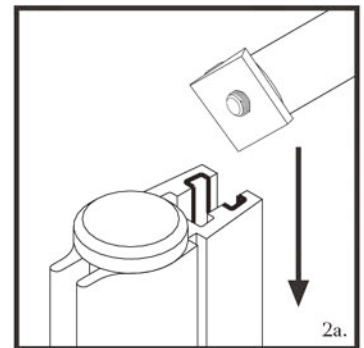
Step 1:

The first step is to identify the curved temple holders. Insert the temple holder and slide each one down the back slot of the rod, one at a time, into position.



Step 2:

Screw the rectangular nut to the end of the cylindrical wall brackets (there are two brackets for each rod) and turn the nut a couple of times. Then, slide the bracket through the back slot using the outer groove. Stop approximately 1/2" off the next temple holder, and then tighten the brackets by turning them clockwise.



*May need to be purchased at your local hardware store.

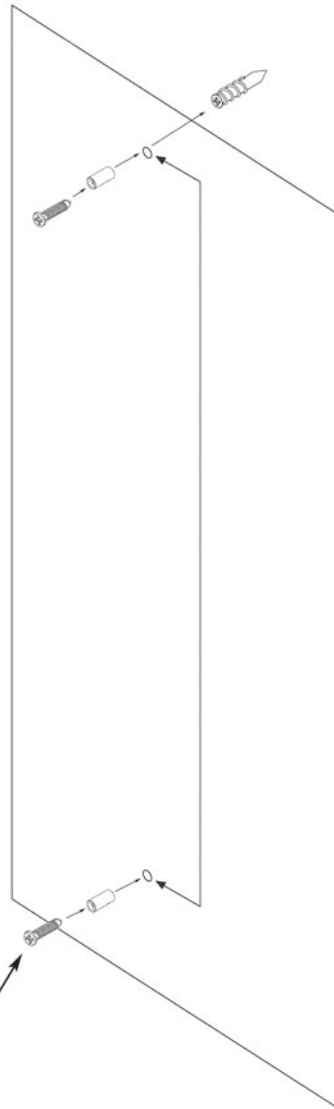
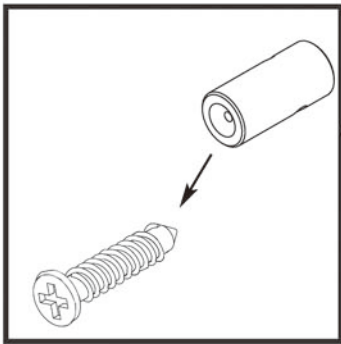


Step 3:

First, locate the cylindrical metal end caps. Place the end caps onto the rods, without securing them. Next, mark the location of the end caps on the wall with a pencil. After the marks are made, the end caps can be removed from the rod. The display may be set aside.

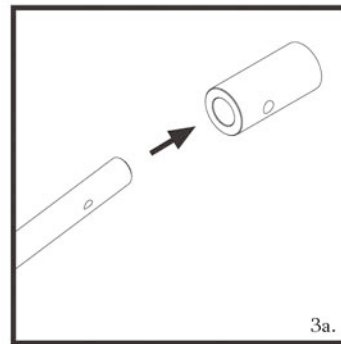
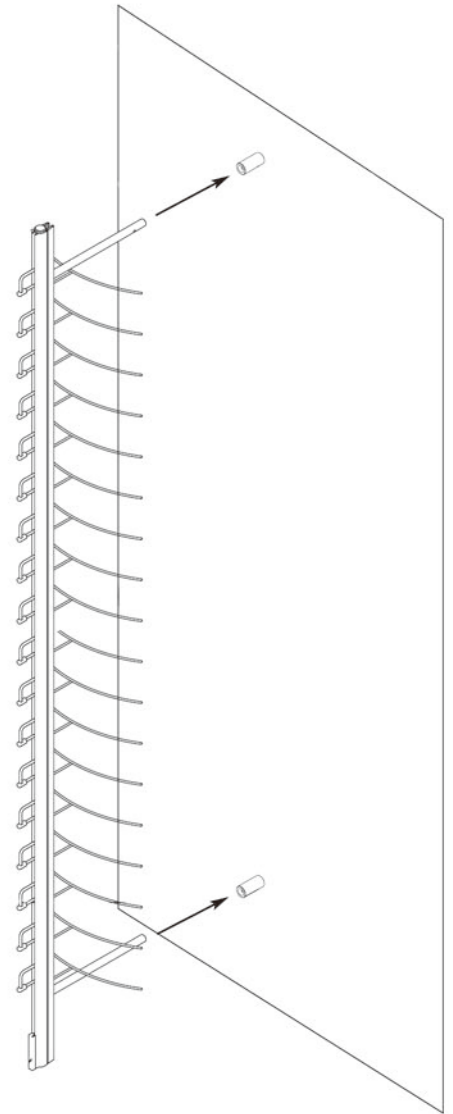
Step 4:

Depending on the quality of the wall, screw a dry wall anchor* into the aforementioned pencil mark. Next, insert the provided screw into the cylindrical metal end cap. Turn this assemblage into the dry wall anchor, and secure with a screwdriver.

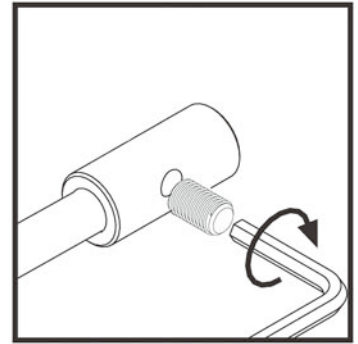


Step 5:

Slide the two bracket rods into the end caps. Then, secure each bracket rod with one hex set screw, and tighten with the provided Allen wrench.



3a.



*Note: For wood installation, there is no anchor required.